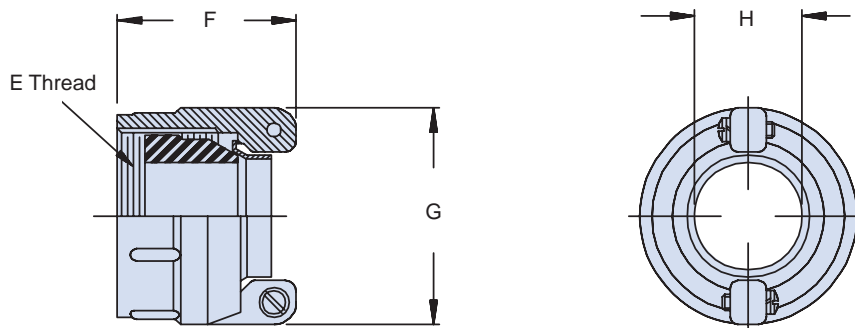


B


TABLE I: Shell Size, Cable Entry and Backshell Dimensions

Dash No.	Conn. Shell Ref.(s)	E Thread Class 2B	F Max		Ø G Max		H Min	
3B	8S, 10S	1/2 - 28 UNEF	1.031	(26.2)	.812	(20.6)	.231	(5.9)
4B	10SL, 12S, 12	5/8 - 24 UNEF	1.031	(26.2)	.937	(23.8)	.315	(8.0)
6B	14S, 14	3/4 - 20 UNEF	1.031	(26.2)	1.062	(27.0)	.440	(11.2)
8B	16S, 16	7/8 - 20 UNEF	1.031	(26.2)	1.188	(30.2)	.515	(13.1)
10B	18	1 - 20 UNEF	1.094	(27.8)	1.312	(33.3)	.614	(15.6)
12B	20, 22	1 3/16 - 18 UNEF	1.219	(31.0)	1.562	(39.7)	.738	(18.7)
16B	24, 28	1 7/16 - 18 UNEF	1.219	(31.0)	1.750	(44.5)	.926	(23.5)
20B	32	1 3/4 - 18 UNS	1.344	(34.1)	2.250	(57.2)	1.200	(30.5)
24B	36	2 - 18 UNS	1.547	(39.3)	2.375	(60.3)	1.363	(34.6)
28B	40	2 1/4 - 16 UN	1.547	(39.3)	2.625	(66.7)	1.611	(40.9)
32B	44	2 1/2 - 16 UN	1.734	(44.0)	2.812	(71.4)	1.865	(47.4)
40B	48	3 - 16 UN	1.781	(45.2)	3.312	(84.1)	2.365	(60.1)

APPLICATION NOTES

1. Finish on M85049/1 is Cadmium Olive Drab over Electroless Nickel (1,000 hour salt spray).
2. Assembly to be identified with manufacturer's name and part number, space permitting.
3. Cable Entry is defined as the accommodation entry for the wire bundle or cable. Dimensions are not intended for inspection criteria.
4. For complete dimensions, see the applicable Military Specification.
5. Metric dimensions (mm) are in parentheses.

Dimensions in inches (millimeters) and are subject to change without notice.