

MICON 5 - Short-travel switch, SMT low

1.14.002.113/0000



Dimensions

Length of housing	6.4 mm
Width of housing	5.1 mm
Overall height	3.45 mm

Mechanical design

Mounting	soldering
Terminals	SMT
Contact system	snap-action contact
Contact arrangement	1 NO
Contact materials	Au
Illumination	no

Mechanical characteristics

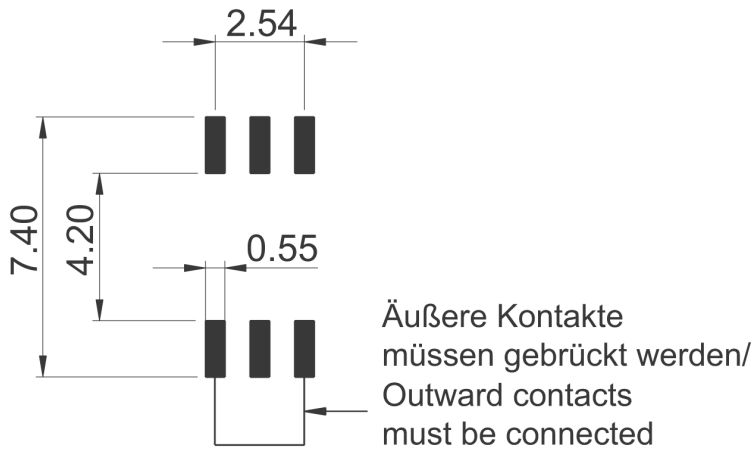
Operating force F1 ($\pm 20\%$)	5.5 N
Switching travel S2 (± 0.15 mm)	0.7 mm

Electrical characteristics

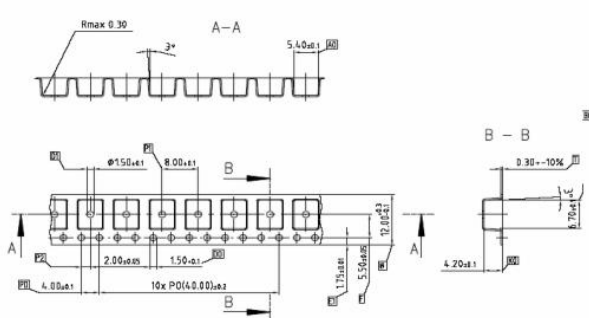
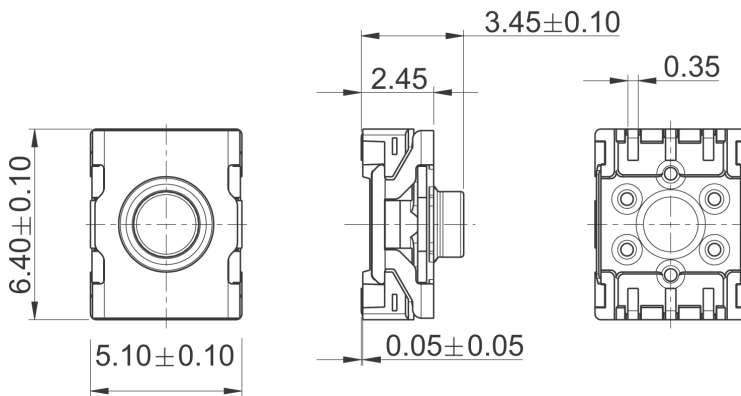
Rated voltage min.	0.02 V
Rated voltage max.	35 V
Rated current min.	0.01 mA
Rated current max.	100 mA
Rated power max. (ohmic load)	1 W
Contact resistance when new	? 100 m Ω
Rated voltage resistance AC	250 V
Insulation resistance	10 ⁹ Ω

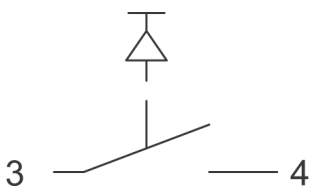
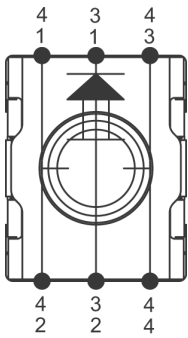
Other specifications

Ambient temp. operating min.	-40 °C
Ambient temp. operating max.	+90 °C
Resistance to environment	IEC 60068-2 -14,-30,-33, -78
Operating life (test force)	1,000,000 (8 N)
Solder heat resistance / Solderability	DIN EN 60068-2-58
Flammability of materials	UL 94 V1
Packing	tape and reel à 2100 pieces
Produkt type	L
ROHS compliant	yes
REACH compliant	yes



SMT nieder





Schaltzeichen
nach IEC
617

