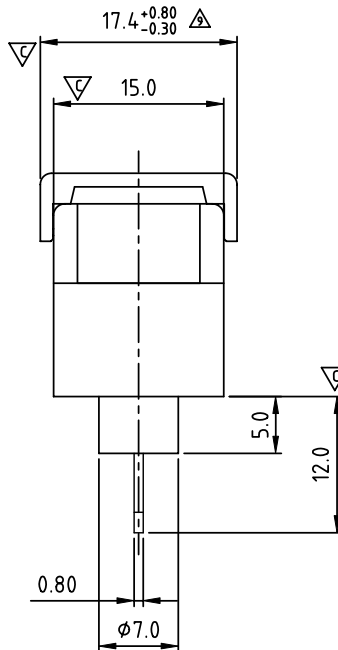


N=Number of poles

Dimension A&B&C

| | |
|-------|------------|
| Dim A | (N+2)×10.0 |
| Dim B | (N-1)×10.0 |
| Dim C | N×10.0+3.5 |

| Poles | Tolerance |
|---------|-----------|
| 4p-10p | ±0.40 |
| 11p-20p | ±0.60 |
| 21p-30p | ±0.80 |



| SIGN | DATE | DESCRIPTION | APPROVER |
|------|-----------|---|----------|
| △ | 2/07'06 | Part No. changed | Tony |
| △ | 7/11'06 | Dimension changed from 3.6 to 3.5 | Tony |
| △ | 2006.08.3 | Screw torque value changed from 10.4Lb-in to 12Lb-in | 梁仁松 |
| △ | 2006.08.3 | Approval changed | 梁仁松 |
| △ | 3/30'09 | Structure changed | JODY |
| △ | 3/30'09 | Temperature changed from -40 105°C to -40 115°C | JODY |
| △ | 11/17'12 | Change the screw plating specification | Jacky |
| △ | 11/17'12 | Change the dimensional tolerance | Jacky |
| △ | 08/25'14 | The dimensional tolerance is changed from 17.4±0.30 to 17.4 ^{+0.80} _{-0.30} | Airy min |

THIS IS CAD DRAWING, DO NOT REVISE MANUALLY!!!

MATERIALS ELECTRICAL

RATED VOLTAGE & CURRENT: 300 V, 20 A
 WITHSTAND VOLTAGE: AC 2000 V/Min
 INSULATION RESISTANCE: 1000 MΩ OR MORE AT DC 500 V
 OPERATING TEMPERATURE RANG: △ -40 °C ~ +115 °C

- △ SCREW TORQUE VALUE: 12Lb-In.
- WIRE RANGE: 22 - 12 AWG
- 1) MOLDED PARTS: POLYIMIDE 66, UL 94 V-0 BLACK
- 2) TERMINAL: BRASS, 0.8t, Tin PLATED
- 3) TERMINAL SCREWS: STEEL, M3.5
- 4) COVER MATERIAL: PC
- △ APPROVAL: us
- △ PART NO.: Critical dimension: ▽

YK 606 xx 1 x x 00G

NO. OF POLES
 04: 4 POLES
 05: 5 POLES
 06: 6 POLES

30: 30 POLES

G:RoHS compliant(lead<4%)
 in copper alloy

MARK

0: "@" MARK
 1: "ANY" MARK

TERMINAL & SCREW PLATED

0: TERMINAL & SCREW: G/F
 △ 1: TERMINAL: G/F, SCREW: Zinc
 2: TERMINAL: Sn, SCREW: G/F
 △ 3: TERMINAL: Sn, SCREW: Zinc

ANYTEK

CUSTOMER COPY

ALL RIGHTS RESERVED. REPRODUCTION OR ISSUE TO THIRD PARTIES IN ANY FORM WHATSOEVER IS NOT PERMITTED WITHOUT WRITTEN AUTHORITY FROM THE PROPRIETOR. PROPERTY OF ANYTEK TECHNOLOGY CO., LTD

| | | | | | | |
|----------|---------|--|------------------------|--------------|--|-------------|
| TITLE | | YK-606 With Flange&With Cover Series(4P-30P) | | | | |
| PART NO. | | YK606xx1xx00G | | DWG NO. | | 8YK0001-606 |
| APPROVED | CHECKED | DESIGNED | DRAWN | CUST NO. | | Tolerance |
| | | Airy min 2014.08.25 | Airy min 2014.08.25 | | | X. ±0.50 |
| | | | | | | X.X ±0.30 |
| | | | | | | UNIT: mm |
| | | | | SHEET: 01/01 | | X° ±1° |
| | | | | REV.: H | | |