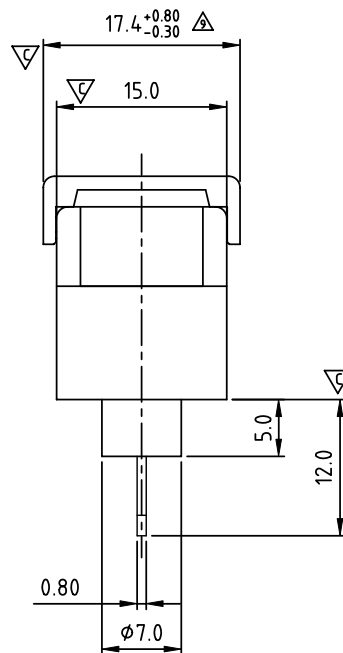


N=Number of poles

Dimension A&B&C

Dim A	(N+2)×10.0
Dim B	(N-1)×10.0
Dim C	N×10.0+3.5

Poles	Tolerance
4p-10p	±0.40
11p-20p	±0.60
21p-30p	±0.80



SIGN	DATE	DESCRIPTION	APPROVER
△	2/07'06	Part No. changed	Tony
△	7/11'06	Dimension changed from 3.6 to 3.5	Tony
△	2006.08.3	Screw torque value changed from 10.4Lb-in to 12Lb-in	梁仁松
△	2006.08.3	Approval changed	梁仁松
△	3/30'09	Structure changed	JODY
△	3/30'09	Temperature changed from -40 105°C to -40 115°C	JODY
△	11/17'12	Change the screw plating specification	Jacky
△	11/17'12	Change the dimensional tolerance	Jacky
△	08/25'14	The dimensional tolerance is changed from 17.4±0.30 to 17.4 ^{+0.80} _{-0.30}	Airy min

THIS IS CAD DRAWING, DO NOT REVISE MANUALLY!!!

MATERIALS ELECTRICAL

RATED VOLTAGE & CURRENT: 300 V, 20 A
 WITHSTAND VOLTAGE: AC 2000 V/Min
 INSULATION RESISTANCE: 1000 MΩ OR MORE AT DC 500 V
 OPERATING TEMPERATURE RANG: △ -40 °C ~ +115 °C

- △ SCREW TORQUE VALUE: 12Lb-In.
- WIRE RANGE: 22 - 12 AWG
- 1) MOLDED PARTS: POLYIMIDE 66, UL 94 V-0 BLACK
- 2) TERMINAL: BRASS, 0.8t, Tin PLATED
- 3) TERMINAL SCREWS: STEEL, M3.5
- 4) COVER MATERIAL: PC
- △ APPROVAL: us
- △ PART NO.: Critical dimension: ▽

YK 606 xx 1 x x 00G

NO. OF POLES
 04: 4 POLES
 05: 5 POLES
 06: 6 POLES

30: 30 POLES

G:RoHS compliant(lead<4%)
 in copper alloy
 MARK
 0: "@ " MARK
 1: "ANY " MARK

TERMINAL & SCREW PLATED
 0: TERMINAL & SCREW: G/F
 △ 1: TERMINAL: G/F, SCREW: Zinc
 2: TERMINAL: Sn, SCREW: G/F
 △ 3: TERMINAL: Sn, SCREW: Zinc

ANYTEK

CUSTOMER COPY

ALL RIGHTS RESERVED. REPRODUCTION OR ISSUE TO THIRD PARTIES IN ANY FORM WHATSOEVER IS NOT PERMITTED WITHOUT WRITTEN AUTHORITY FROM THE PROPRIETOR. PROPERTY OF ANYTEK TECHNOLOGY CO., LTD

TITLE		YK-606 With Flange&With Cover Series(4P-30P)				
PART NO.		YK606xx1xx00G		DWG NO.		8YK0001-606
APPROVED	CHECKED	DESIGNED	DRAWN	CUST NO.		Tolerance
		Airy min 2014.08.25	Airy min 2014.08.25			X. ±0.50
						X.X ±0.30
						X.XX ±0.10
				SHEET: 01/01		X° ±1°