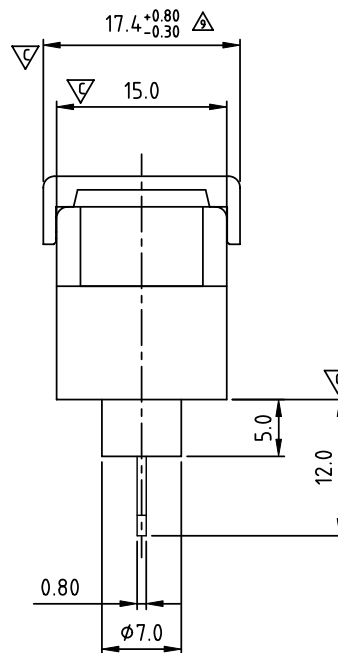


N=Number of poles

Dimension A&B&C

Dim A	(N+2)×10.0
Dim B	(N-1)×10.0
Dim C	N×10.0+3.5

Poles	Tolerance
4p-10p	±0.40
11p-20p	±0.60
21p-30p	±0.80



SIGN	DATE	DESCRIPTION	APPROVER
△	2/07'06	Part No. changed	Tony
△	7/11'06	Dimension changed from 3.6 to 3.5	Tony
△	2006.08.3	Screw torque value changed from 10.4Lb-in to 12Lb-in	梁仁松
△	2006.08.3	Approval changed	梁仁松
△	3/30'09	Structure changed	JODY
△	3/30'09	Temperature changed from -40 105°C to -40 115°C	JODY
△	11/17'12	Change the screw plating specification	Jacky
△	11/17'12	Change the dimensional tolerance	Jacky
△	08/25'14	The dimensional tolerance is changed from 17.4±0.30 to 17.4 <sup>+0.80</sup> <sub>-0.30</sub>	Airy min

*THIS IS CAD DRAWING, DO NOT REVISE MANUALLY!!!*

**MATERIALS ELECTRICAL**

- RATED VOLTAGE & CURRENT:** 300 V, 20 A  
**WITHSTAND VOLTAGE:** AC 2000 V/Min  
**INSULATION RESISTANCE:** 1000 MΩ OR MORE AT DC 500 V  
**OPERATING TEMPERATURE RANG:** △ -40 °C ~ +115 °C  
**SCREW TORQUE VALUE:** 12Lb-in.  
**WIRE RANGE:** 22 - 12 AWG  
**1) MOLDED PARTS:** POLYIMIDE 66, UL 94 V-0 BLACK  
**2) TERMINAL:** BRASS, 0.8t, Tin PLATED  
**3) TERMINAL SCREWS:** STEEL, M3.5  
**4) COVER MATERIAL:** PC

- △ APPROVAL: us  
 △ PART NO.:  
 Critical dimension: ▽

**YK 606 xx 1 x x 00G**

- NO. OF POLES**  
 04: 4 POLES  
 05: 5 POLES  
 06: 6 POLES  
 ...  
 30: 30 POLES

G:RoHS compliant(lead<4%)  
 in copper alloy

**MARK**  
 0: "@" MARK  
 1: "ANY" MARK

**TERMINAL & SCREW PLATED**  
 0: TERMINAL & SCREW: G/F  
 △ 1: TERMINAL: G/F, SCREW: Zinc  
 2: TERMINAL: Sn, SCREW: G/F  
 △ 3: TERMINAL: Sn, SCREW: Zinc

**ANYTEK**

**CUSTOMER COPY**

ALL RIGHTS RESERVED. REPRODUCTION OR ISSUE TO THIRD PARTIES IN ANY FORM WHATSOEVER IS NOT PERMITTED WITHOUT WRITTEN AUTHORITY FROM THE PROPRIETOR. PROPERTY OF ANYTEK TECHNOLOGY CO., LTD

TITLE		YK-606 With Flange&With Cover Series(4P-30P)				
PART NO.		YK606xx1xx00G		DWG NO.		8YK0001-606
APPROVED	CHECKED	DESIGNED	DRAWN	CUST NO.		Tolerance
		Airy min 2014.08.25	Airy min 2014.08.25			X. ±0.50
						X.X ±0.30
						UNIT: mm
				SHEET: 01/01		X° ±1°
				REV.: H		