



# AS85049/36 and M38999/7 Straight EMI/RFI Non-Environmental Backshell

## CONNECTOR DESIGNATOR:

**F** MIL-DTL-38999 Series I and II

## Finish

**N** = Electroless Nickel  
**W** = 1,000 Hr. Cadmium Olive Drab over Electroless Nickel  
**X** = Nickel Fluorocarbon Polymer  
**Z** = Zinc-Nickel, Black

**B**

**M85049/36**

**10**

**N**

**03**

**A**

Basic  
Part Number

Shell Size  
(Table I)

Clamp Size  
(Table I)

Length  
Code  
(Omit for  
Standard)

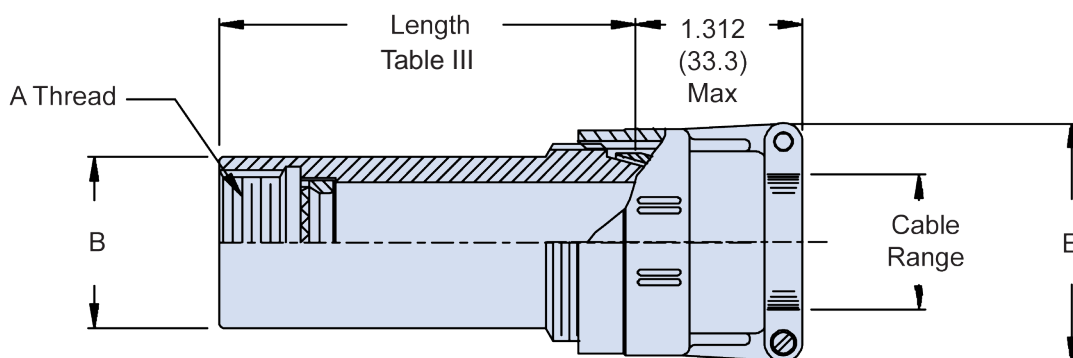


TABLE I: Shell Size and Clamp Size

| Shell Size | Series I Shell Size Ref. | Clamp Size (Table II) |     | A Thread Class 2B | B Dia Max   |
|------------|--------------------------|-----------------------|-----|-------------------|-------------|
|            |                          | Min                   | Max |                   |             |
| 08         | 09                       | 01                    | 02  | .438 - 28 UNEF    | .65 (16.5)  |
| 10         | 11                       | 01                    | 03  | .562 - 24 UNEF    | .77 (19.6)  |
| 12         | 13                       | 02                    | 04  | .688 - 24 UNEF    | .89 (22.6)  |
| 14         | 15                       | 02                    | 05  | .813 - 20 UNEF    | 1.02 (25.9) |
| 16         | 17                       | 02                    | 06  | .938 - 20 UNEF    | 1.15 (29.2) |
| 18         | 19                       | 03                    | 07  | 1.063 - 18 UNEF   | 1.23 (31.2) |
| 20         | 21                       | 03                    | 08  | 1.188 - 18 UNEF   | 1.36 (34.5) |
| 22         | 23                       | 03                    | 09  | 1.313 - 18 UNEF   | 1.48 (37.6) |
| 24         | 25                       | 04                    | 10  | 1.438 - 18 UNEF   | 1.73 (43.9) |

TABLE II: Cable Range and Dimensions

| Clamp Size | Cable Range  |              | E Max        |
|------------|--------------|--------------|--------------|
|            | Min          | Max          |              |
| 01         | .062 (1.6)   | .125 (3.2)   | .781 (19.8)  |
| 02         | .125 (3.2)   | .250 (6.4)   | .969 (24.6)  |
| 03         | .250 (6.4)   | .375 (9.5)   | 1.062 (27.0) |
| 04         | .312 (7.9)   | .500 (12.7)  | 1.156 (29.4) |
| 05         | .437 (11.1)  | .625 (15.9)  | 1.250 (31.8) |
| 06         | .562 (14.3)  | .750 (19.1)  | 1.375 (34.9) |
| 07         | .687 (17.4)  | .875 (22.2)  | 1.500 (38.1) |
| 08         | .812 (20.6)  | 1.000 (25.4) | 1.625 (41.3) |
| 09         | .937 (23.8)  | 1.125 (28.6) | 1.750 (44.5) |
| 10         | 1.062 (27.0) | 1.250 (31.8) | 1.875 (47.6) |

TABLE III: Length Code

| Length Code | Available Shell Sizes | Length        |
|-------------|-----------------------|---------------|
| Std.        | 08 - 24               | 1.500 (38.1)  |
| A           | 08 - 24               | 2.500 (63.5)  |
| B           | 14 - 24               | 3.500 (88.9)  |
| C           | 20 - 24               | 4.500 (114.3) |

## APPLICATION NOTES

- For complete dimensions see the applicable Military Specification.
- Metric dimensions (mm) are in parentheses.
- Cable Range is defined as the accommodation range for the wire bundle or cable. Dimensions shown are not intended for inspection criteria.

Dimensions in inches (millimeters) and are subject to change without notice.