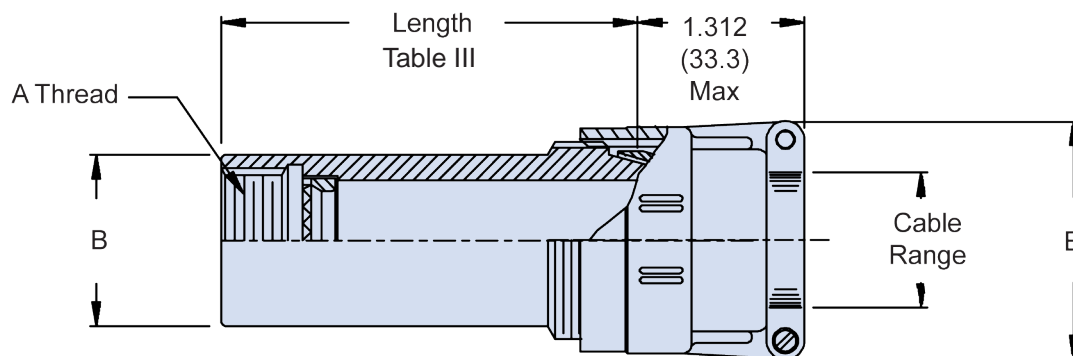


CONNECTOR DESIGNATOR:

F MIL-DTL-38999 Series I and II

Finish

N = Electroless Nickel **X** = Nickel Fluorocarbon Polymer
W = 1,000 Hr. Cadmium Olive Drab over Electroless Nickel **Z** = Zinc-Nickel, Black

M85049/36
10
N
03
A
**Basic
Part Number**
**Shell Size
(Table I)**
**Clamp Size
(Table I)**
**Length
Code
(Omit for
Standard)**


Shell Size	Series I Shell Size Ref.	Clamp Size (Table II)		A Thread Class 2B	B Dia Max
		Min	Max		
08	09	01	02	.438 - 28 UNEF	.65 (16.5)
10	11	01	03	.562 - 24 UNEF	.77 (19.6)
12	13	02	04	.688 - 24 UNEF	.89 (22.6)
14	15	02	05	.813 - 20 UNEF	1.02 (25.9)
16	17	02	06	.938 - 20 UNEF	1.15 (29.2)
18	19	03	07	1.063 - 18 UNEF	1.23 (31.2)
20	21	03	08	1.188 - 18 UNEF	1.36 (34.5)
22	23	03	09	1.313 - 18 UNEF	1.48 (37.6)
24	25	04	10	1.438 - 18 UNEF	1.73 (43.9)

Clamp Size	Cable Range		E Max
	Min	Max	
01	.062 (1.6)	.125 (3.2)	.781 (19.8)
02	.125 (3.2)	.250 (6.4)	.969 (24.6)
03	.250 (6.4)	.375 (9.5)	1.062 (27.0)
04	.312 (7.9)	.500 (12.7)	1.156 (29.4)
05	.437 (11.1)	.625 (15.9)	1.250 (31.8)
06	.562 (14.3)	.750 (19.1)	1.375 (34.9)
07	.687 (17.4)	.875 (22.2)	1.500 (38.1)
08	.812 (20.6)	1.000 (25.4)	1.625 (41.3)
09	.937 (23.8)	1.125 (28.6)	1.750 (44.5)
10	1.062 (27.0)	1.250 (31.8)	1.875 (47.6)

Length Code	Available Shell Sizes	Length
Std.	08 - 24	1.500 (38.1)
A	08 - 24	2.500 (63.5)
B	14 - 24	3.500 (88.9)
C	20 - 24	4.500 (114.3)

APPLICATION NOTES

- For complete dimensions see the applicable Military Specification.
- Metric dimensions (mm) are in parentheses.
- Cable Range is defined as the accommodation range for the wire bundle or cable. Dimensions shown are not intended for inspection criteria.

Dimensions in inches (millimeters) and are subject to change without notice.