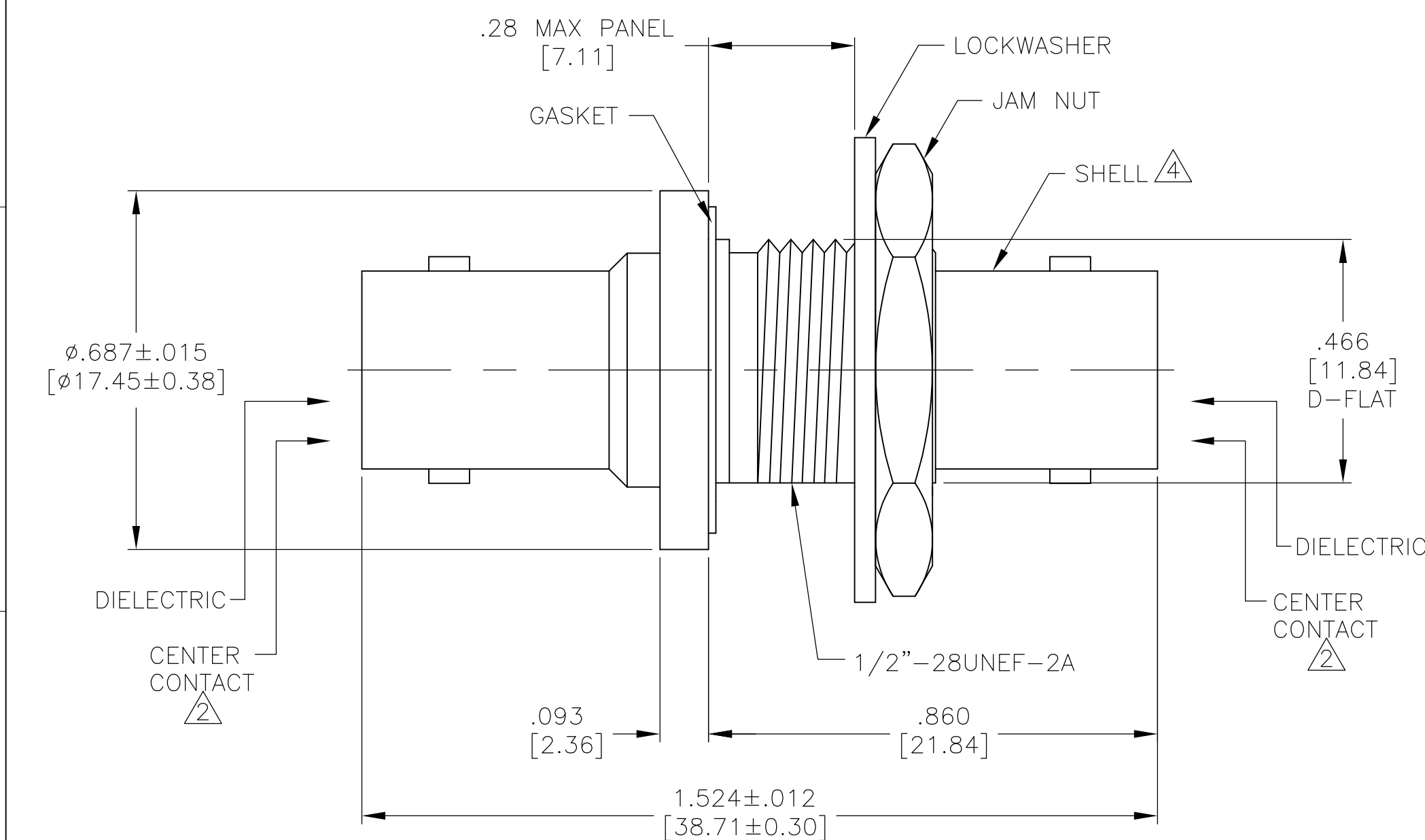
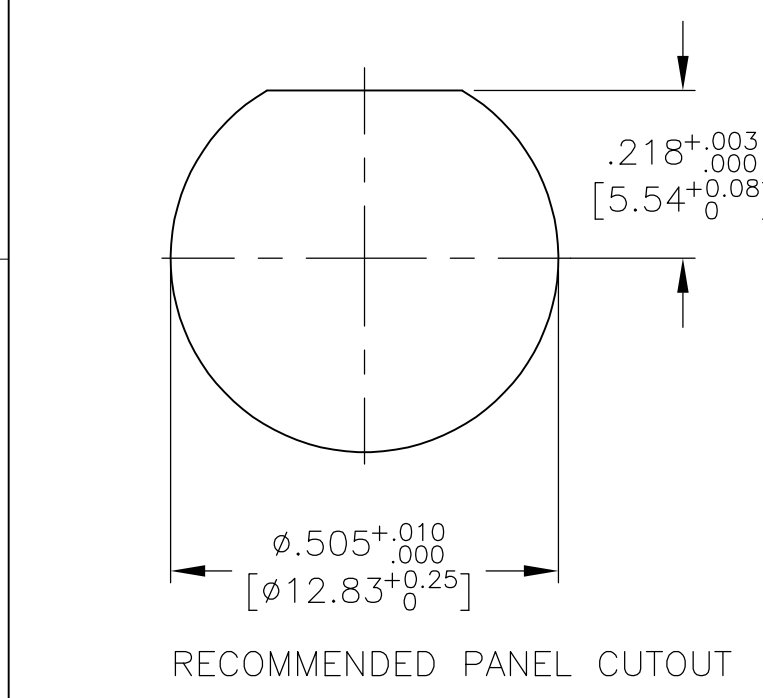


THIS DRAWING IS UNPUBLISHED. RELEASED FOR PUBLICATION  
 © COPYRIGHT - By - ALL RIGHTS RESERVED.

LOC	DIST	REVISIONS					
AJ	16	P	LTR	DESCRIPTION	DATE	DWN	APVD
		K1		REV PER ECR-15-005272	03APR2015	RZ	MC



- 1 MATERIALS:  
 DIELECTRIC: PTFE  
 CENTER CONTACT: BERYLLIUM COPPER  
 SHELL: BRASS  
 GASKET: SILICONE  
 LOCKWASHER: PHOSPHOR BRONZE  
 JAM NUT: BRASS
- 2 SILVER PLATE PER QQ-S-365,  
 5.08 um [.000200] MIN THICKNESS
- 3. PRODUCT MUST BE INTERMATEABLE  
 PER MIL-C-39012
- 4 NICKEL PLATE PER QQ-N-290,  
 2.54 um [.000100] MIN THICKNESS



330024  
 PART NUMBER

THIS DRAWING IS A CONTROLLED DOCUMENT.		DWN	M.E. COWHER	2-28-92	 TE Connectivity NAME ADAPTER, JACK, BHD, BNC			
DIMENSIONS: INCHES		CHK	M. PHILLIPS	3-2-92				
TOLERANCES UNLESS OTHERWISE SPECIFIED:		APVD	M.E. COWHER	3-3-92				
0 PLC ± - 1 PLC ± - 2 PLC ± .03 3 PLC ± .005 4 PLC ± - ANGLES ± -		PRODUCT SPEC	-	-				
MATERIAL		APPLICATION SPEC		-	SIZE	CAGE CODE	DRAWING NO	RESTRICTED TO
1		WEIGHT		-	A3	00779	C-330024	-
FINISH		CUSTOMER DRAWING		SCALE	4:1	SHEET	1 OF 1	REV
2 4								K1