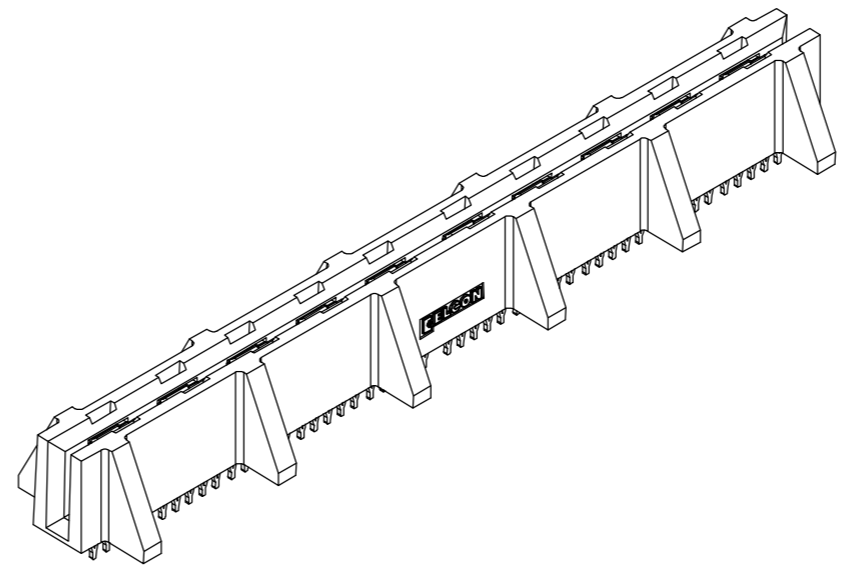


This drawing involves proprietary design rights of Tyco Electronics Corporation, and all design, manufacture, reproduction, use and sale rights regarding the same are expressly reserved. It is submitted for a specific purpose and the recipient by accepting this drawing, assumes custody and control and agrees to take reasonable precautions; (a) that this drawing will not be copied and reproduced, in whole or in part, or its contents revealed in any manner, or to any person except to meet the purpose for which it was delivered and (b) that any special features peculiar to this design will not be incorporated in other projects without the expressed written permission of Tyco Electronics Corporation.

REVISIONS			
EC	REV	DESCRIPTION	DATE
CPR	A	NEW RELEASE	1/30/06

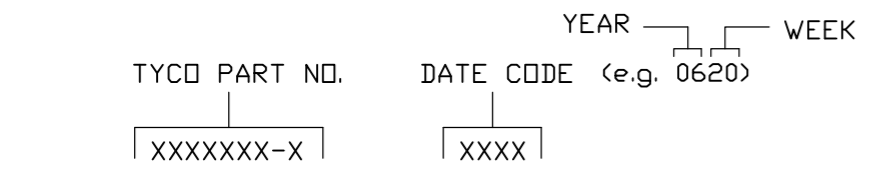


NOTES: UNLESS OTHERWISE SPECIFIED;

- PART NUMBER CHANGES AND OR DESIGN CHANGES AFFECTING ITEM INTERCHANGEABILITY REQUIRE PRIOR TYCO APPROVAL AND AUTHORIZATION BY REVISION TO THIS DRAWING.
- MATERIALS:  
 INSULATORS: THERMOPLASTIC, GLASS REINFORCED, COLOR-BLACK, UL94V-0 FLAMMABILITY RATED.  
 POWER CONTACTS: PHOSPHOR-BRONZE ALLOY, COPPER ALLOY.  
 CROWN BANDS: BERYLLIUM-COPPER ALLOY.
- FINISHES:  
 CONTACTS: GOLD PLATE .000030" MIN. THK, OVER NICKEL PER PER QQ-N-290, CLASS 2, .000040" MIN. THICKNESS.  
 TERMINALS: TIN PLATE, MATTE FINISH 000100" MIN. THICKNESS.

- SOCKET CONNECTORS ACCEPT 1.60 [0.062"] ±10% THK PC BOARD.
- ITEMS PROVIDED TO THIS SPECIFICATION TO BE PERMANENTLY IDENTIFIED PER THE FOLLOWING IDENTIFIER.

TYCO PART NUMBER  
1926043-1

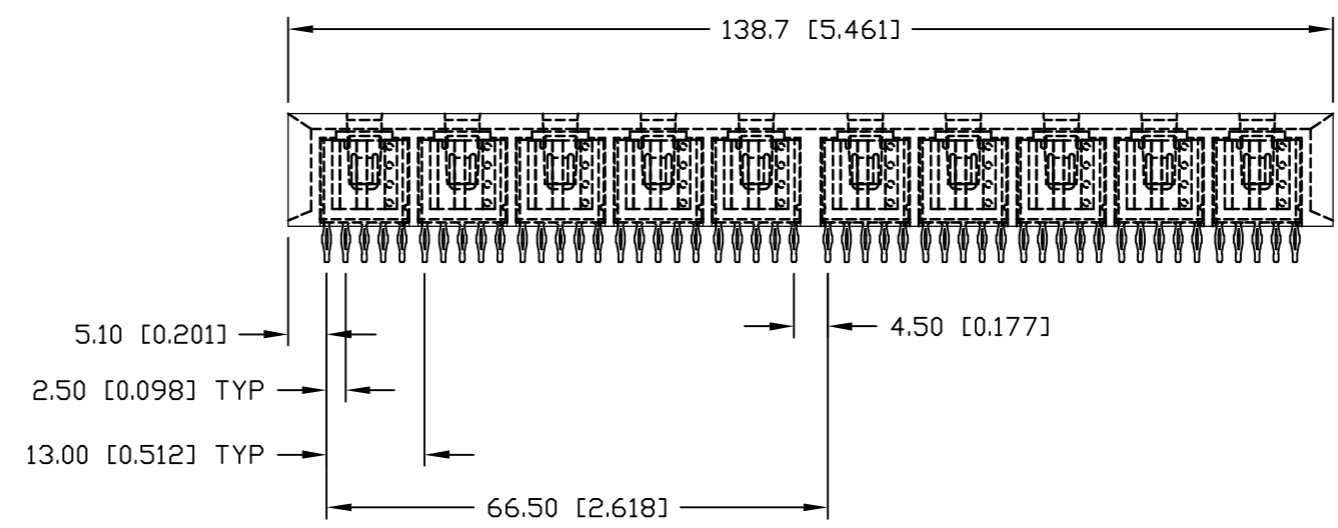
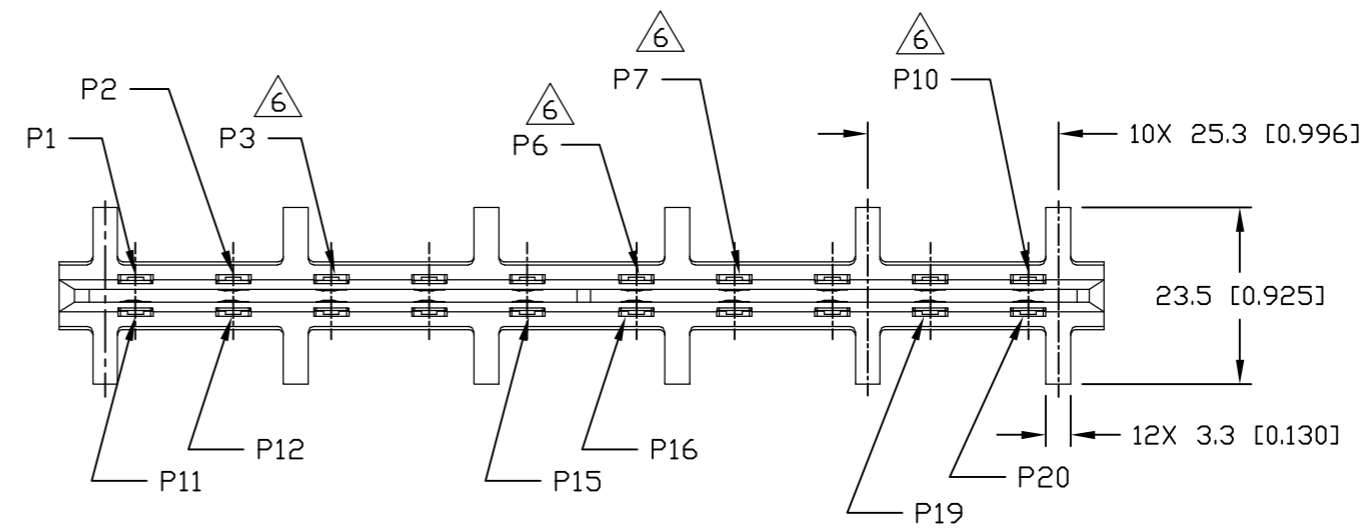
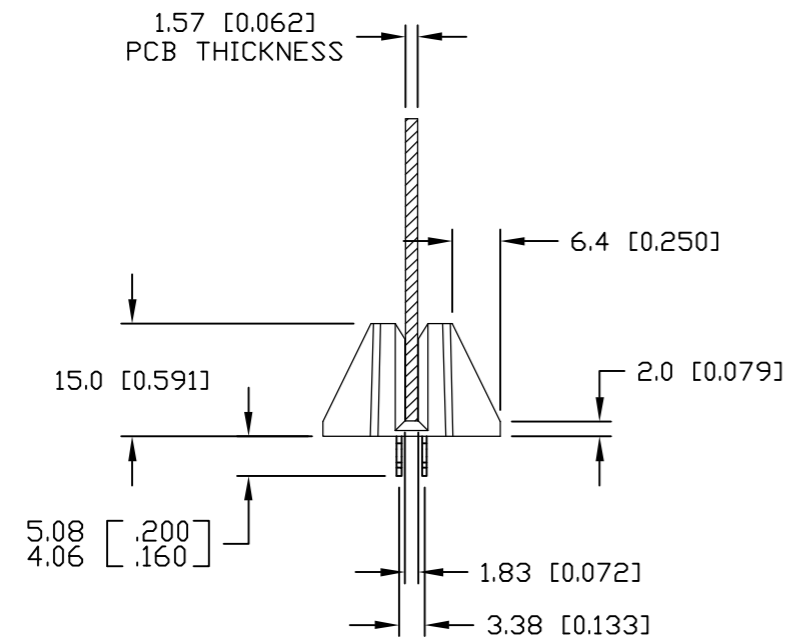


- POSITION P3, P6, P7, AND P10 ARE UNPOPULATED.

← MM OR MM [INCH] → INCH  THIRD ANGLE PROJECTION UNLESS OTHERWISE SPECIFIED DIMENSIONS ARE IN METRIC [INCHES] TOLERANCES ANGLES ± .5° DECIMALS .XX ± .25 [0.010] .X ± .5 [0.020]	DRAWN R. F. A.	DATE 1/30/06	 Tyco Electronics Corporation Menlo Park, Ca 94025 	TITLE CONNECTOR, SOCKET SIDE ENTRY, CROWN EDGE	
	CHECKED				SIZE B
	APPROVED		DWG NUMBER C = 1926043		REV. A
	APPROVED D. CHAU	1/30/06	ACAD FILE NUMBER C1926043A.DWG		DWG SCALE 1=1 SH 1 OF 3

This drawing involves proprietary design rights of Tyco Electronics Corporation, and all design, manufacture, reproduction, use and sale rights regarding the same are expressly reserved. It is submitted for a specific purpose and the recipient by accepting this drawing, assumes custody and control and agrees to take reasonable precautions; (a) that this drawing will not be copied and reproduced, in whole or in part, or its contents revealed in any manner, or to any person except to meet the purpose for which it was delivered and (b) that any special features peculiar to this design will not be incorporated in other projects without the expressed written permission of Tyco Electronics Corporation.

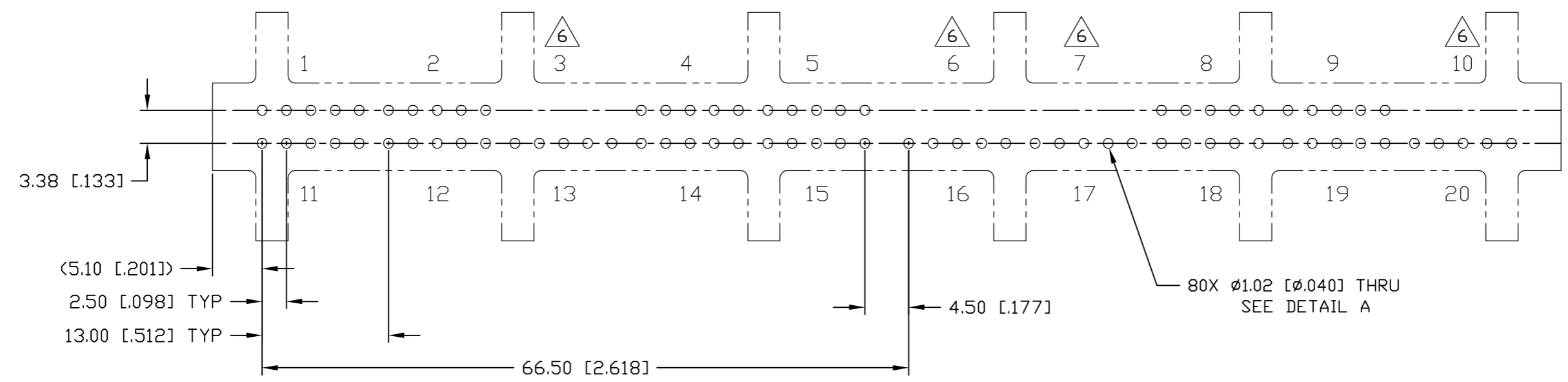
REVISIONS			
EC	REV	DESCRIPTION	DATE
		SEE SHEET 1	



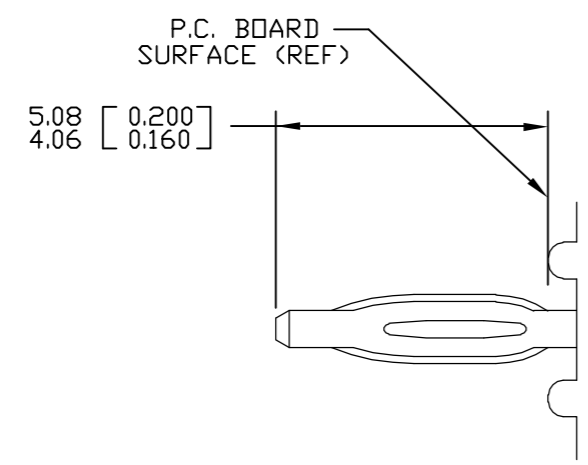
← MM OR MM [INCH] INCH  THIRD ANGLE PROJECTION UNLESS OTHERWISE SPECIFIED DIMENSIONS ARE IN METRIC [INCHES] TOLERANCES ANGLES ± .5° DECIMALS .XX ± .25 [0.010] .X ± .5 [0.020]	DRAWN R. F. A.	DATE 1/30/06	 Tyco Electronics Corporation Menlo Park, Ca 94025 	TITLE CONNECTOR, SOCKET SIDE ENTRY, CROWN EDGE	
	CHECKED	APPROVED APPROVED D. CHAU DCA APPROVED		1/30/06	SIZE B
ACAD FILE NUMBER C1926043A.DWG			DWG SCALE 1=1	SH 2 OF 3	

This drawing involves proprietary design rights of Tyco Electronics Corporation, and all design, manufacture, reproduction, use and sale rights regarding the same are expressly reserved. It is submitted for a specific purpose and the recipient by accepting this drawing, assumes custody and control and agrees to take reasonable precautions; (a) that this drawing will not be copied and reproduced, in whole or in part, or its contents revealed in any manner, or to any person except to meet the purpose for which it was delivered and (b) that any special features peculiar to this design will not be incorporated in other projects without the expressed written permission of Tyco Electronics Corporation.

REVISIONS			
EC	REV	DESCRIPTION	DATE
		SEE SHEET 1	



SUGGESTED PCB LAYOUT  
SCALE 2=1



COMPLIANT PIN DETAIL  
INSERTION/EXTRACTION FORCES  
MAXIMUM PUSH-IN: 133.3N PER PIN [30 LBS]  
MINIMUM PUSH-OUT: 44.4N PER PIN [10 LBS]

DETAIL A  
SOLDER TERMINATION AREA

RECOMMENDED PRINTED CIRCUIT HOLE  
FINISHED HOLE:  $\phi 1.02$  [0.040]  $\pm 0.08$  [0.003]  
DRILLED HOLE:  $\phi 1.15$  [0.0453]  $\pm 0.013$  [0.0005]  
COPPER PLATE: .025 [0.0010] MINIMUM (PER SURFACE)  
TIN PLATE: .008 [0.0003] MINIMUM (PER SURFACE)

← MM OR MM [INCH] INCH  THIRD ANGLE PROJECTION UNLESS OTHERWISE SPECIFIED DIMENSIONS ARE IN METRIC [INCHES] TOLERANCES ANGLES $\pm .5^\circ$ DECIMALS .XX $\pm .25$ [0.010] .X $\pm .5$ [0.020]	DRAWN R. F. A.	DATE 1/30/06	 Tyco Electronics Corporation Menlo Park, Ca 94025 	TITLE USER INFORMATION COMPLIANT TAIL TERMINATION AND PCB LAYOUT	
	CHECKED				SIZE B
	APPROVED		DWG NUMBER C = 1926043		REV. A
	APPROVED D. CHAU	1/30/06	ACAD FILE NUMBER C1926043A.DWG		DWG SCALE 1=1 SH 3 OF 3