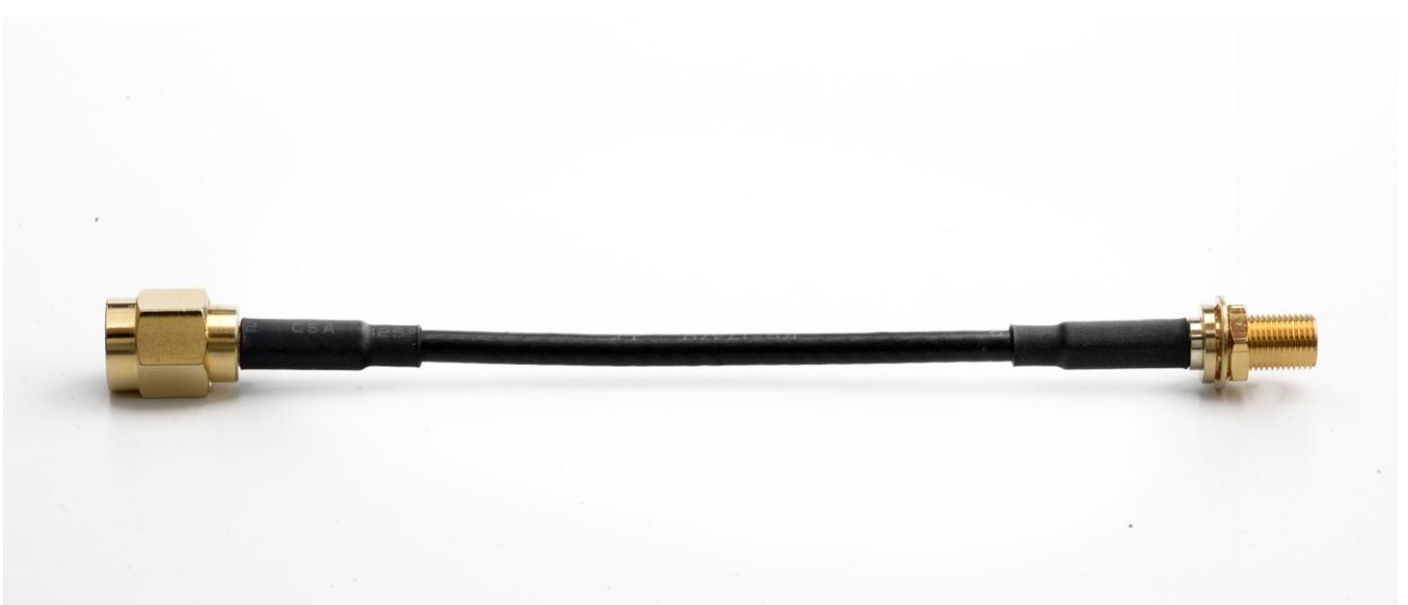


SPECIFICATION

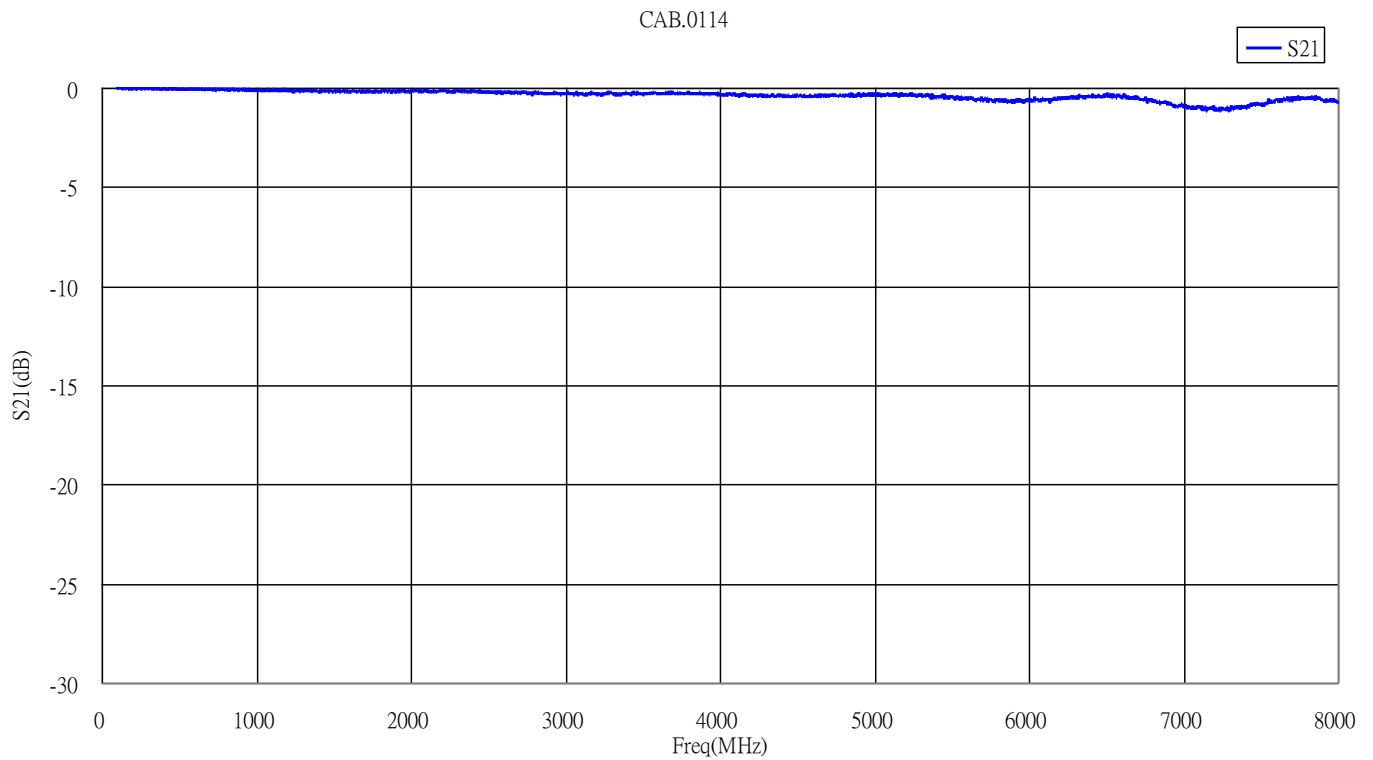
Part No. : **CAB.0114**

Product Name : Taoglas Cable Assembly
SMA(F) Bulkhead Straight to
SMA(M) Plug Straight
with 75mm RG-174 cable

Photo :



1.0 Cable Insertion Loss

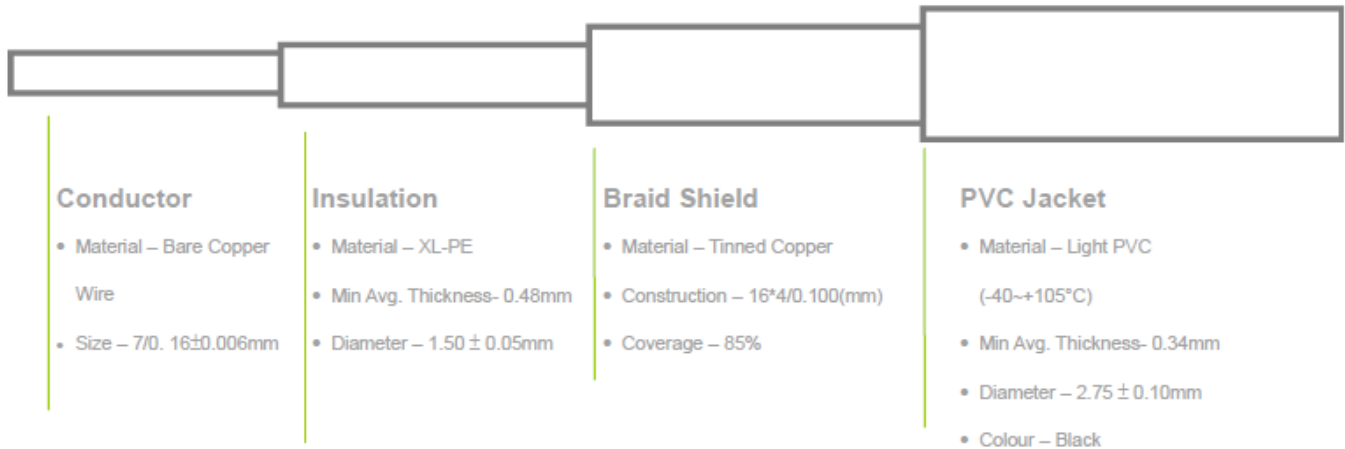


2.0 RG-174 Cable Specification

2.1 Drawing – Cross Section



2.2 Structure and Dimensions

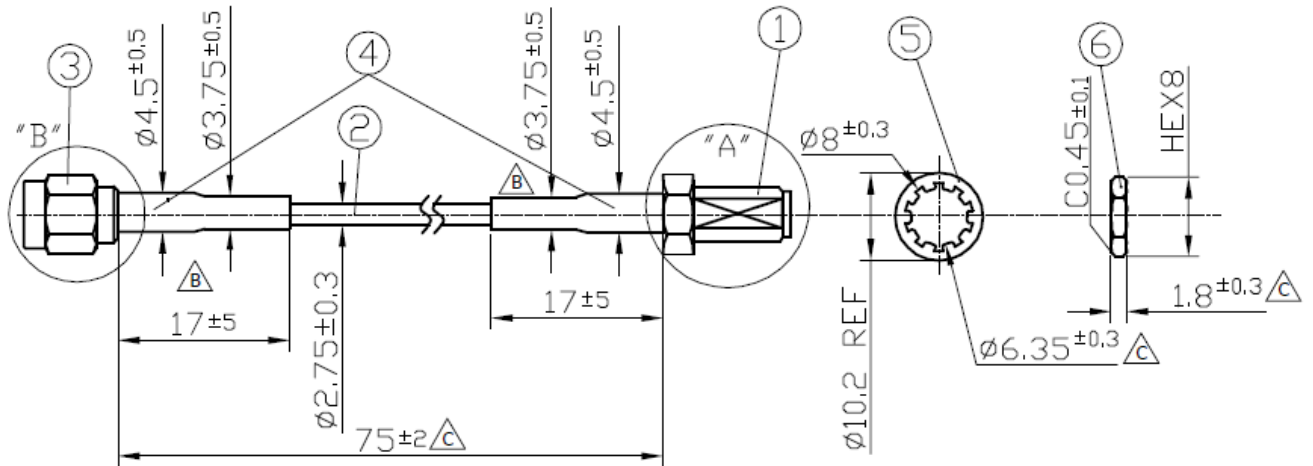


2.3 Electrical & Physical Specification

| | | |
|---|------------------------|-----------------------------------------------|
| 1 | Temperature rating: | 80°C |
| 2 | Voltage Rating: | 30V |
| 3 | Insulation Resistance: | 10MΩ-Km (Min) at 20°C dc 500V(EIA-364-21) |
| 4 | Conductor Resistance: | 20°C 26 AWG: 148.96 Ω/Km (Max) |
| 5 | Capacitance: | 30.8pf/ft |
| 6 | Dielectric Strength | AC 500V/1 minute no breakdown (EIA-364-20) |
| 7 | Impedance: | 10MHz~3GHz 50 ± 5 Ω |
| 8 | Standard Attenuation: | 100MHz 8.4 dB/100ft |
| | | 200MHz 12.5 dB/100ft |
| | | 400MHz 19.0 dB/100ft |
| | | 900MHz 31.0 dB/100ft |
| | | 1GHz 34.0 dB/100ft |
| | | 1.8GHz 49.4 dB/100ft |
| | | 2.34GHz 53.0 dB/100ft |

3.0 Technical Drawing

3.1 CAB.0114



| | Name | Material | Finish | QTY |
|---|---------------------|------------|--------|-----|
| 1 | SMA(F) Bulk Head ST | Brass | Gold | 1 |
| 2 | RG174 | PVC Jacket | Black | 1 |
| 3 | SMA(M) ST | Brass | Gold | 1 |
| 4 | Heat Shrink Tube | PE | Black | 2 |
| 5 | Washer | Brass | Gold | 1 |
| 6 | Nut | Brass | Gold | 1 |

3.2 Connectors

