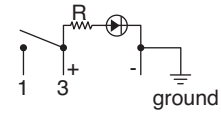
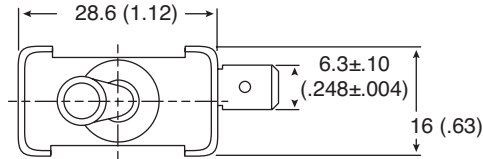
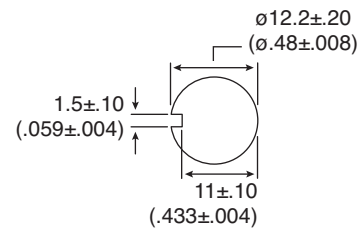
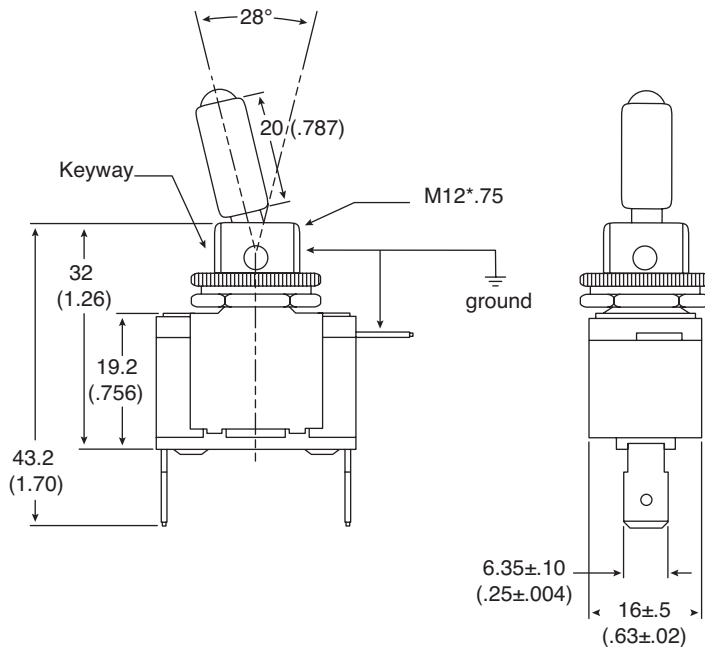


Dimensions: mm (In)



Circuit Structure



Mount Hole

Electrical Specifications:

- Rating: 20A/12VDC
- Contact Resistance: 50mΩ Max.
- Insulation Resistance: 500VDC 100MΩ Min.
- Dielectric Strength: 1500VAC for 1 Minute

Mechanical Specifications:

- Circuit: 3P SPST On-Off

Note:

- RoHS Compliant by Exemption

MOUSER STOCK NO.	LED Color
103-0001-EVX	White
103-0002-EVX	Blue
103-0003-EVX	Green
103-0004-EVX	Red

Illuminated (LED) Toggle Switches

103-0001-EVX, 103-0002-EVX, 103-0003-EVX, 103-0004-EVX

