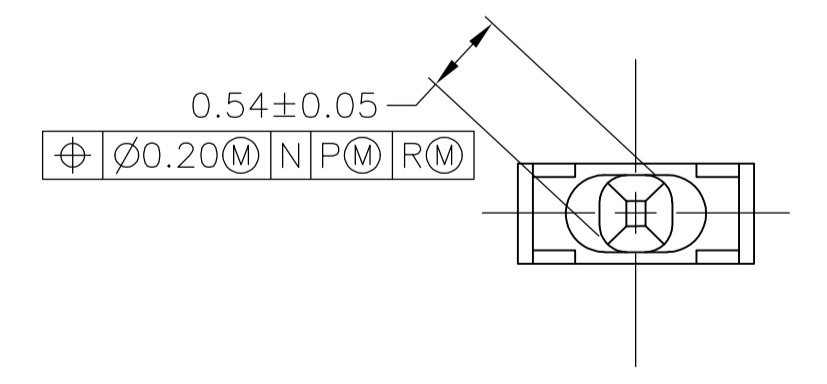
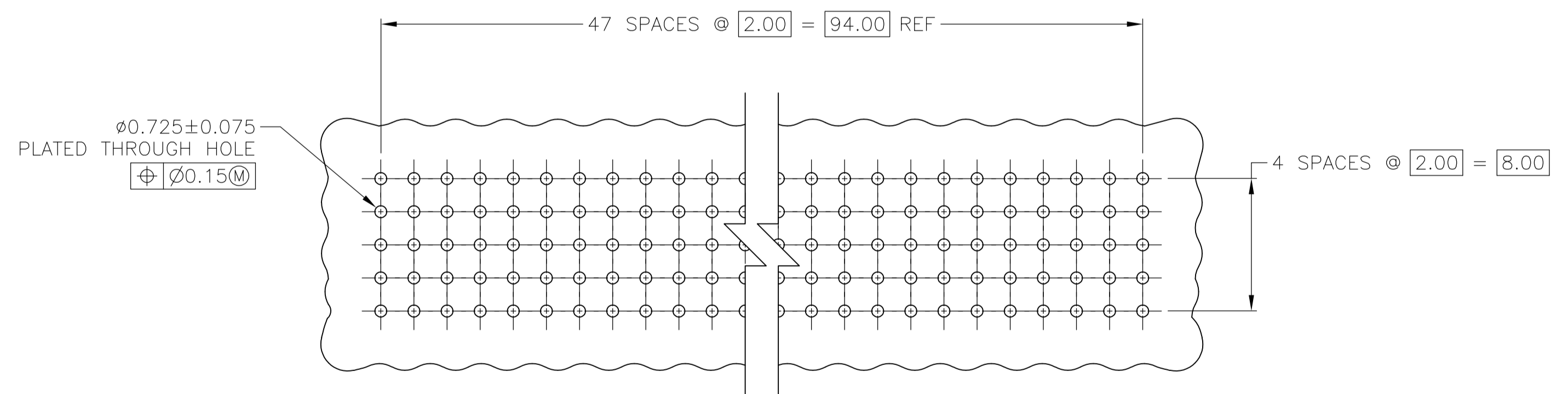
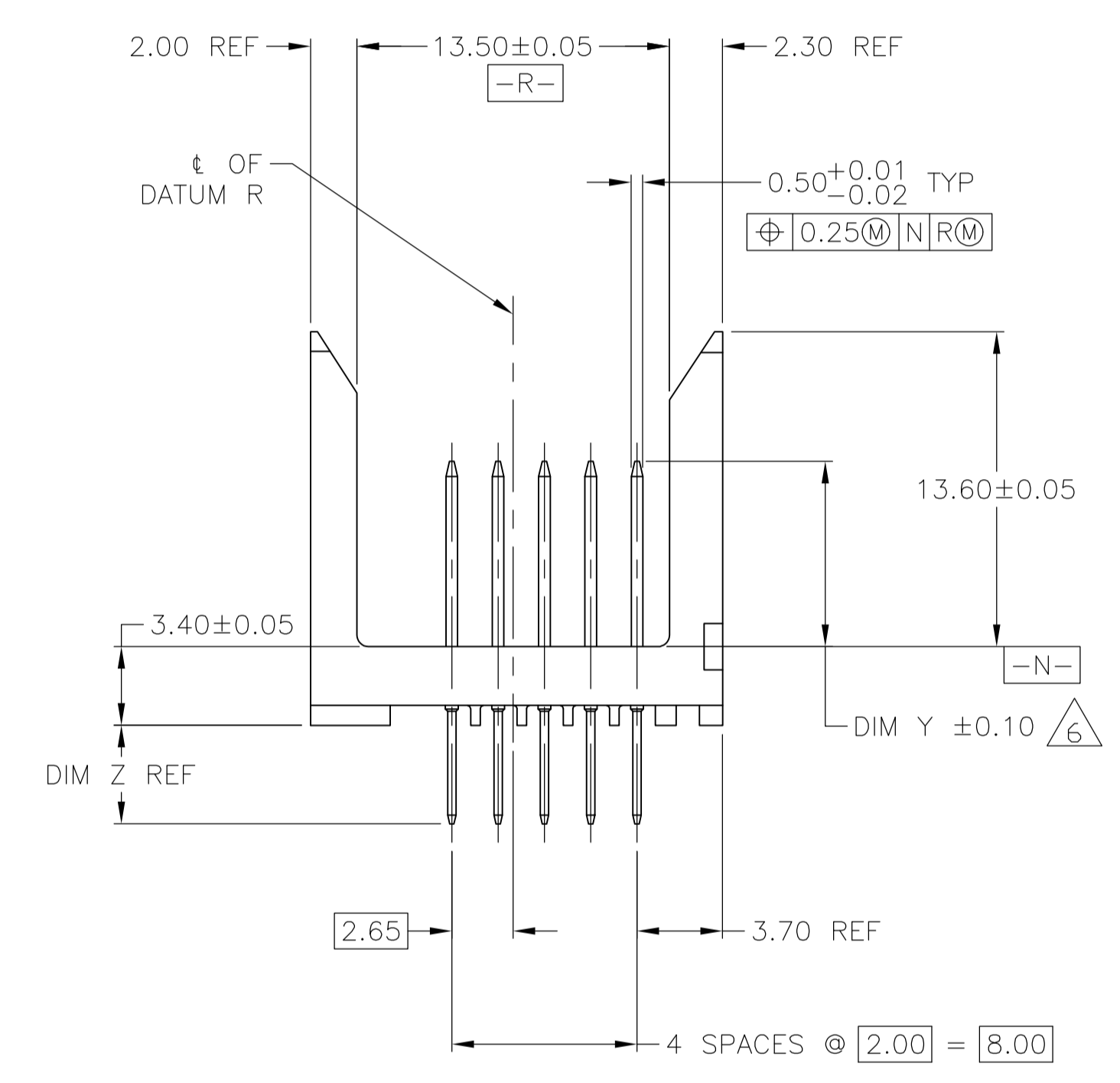
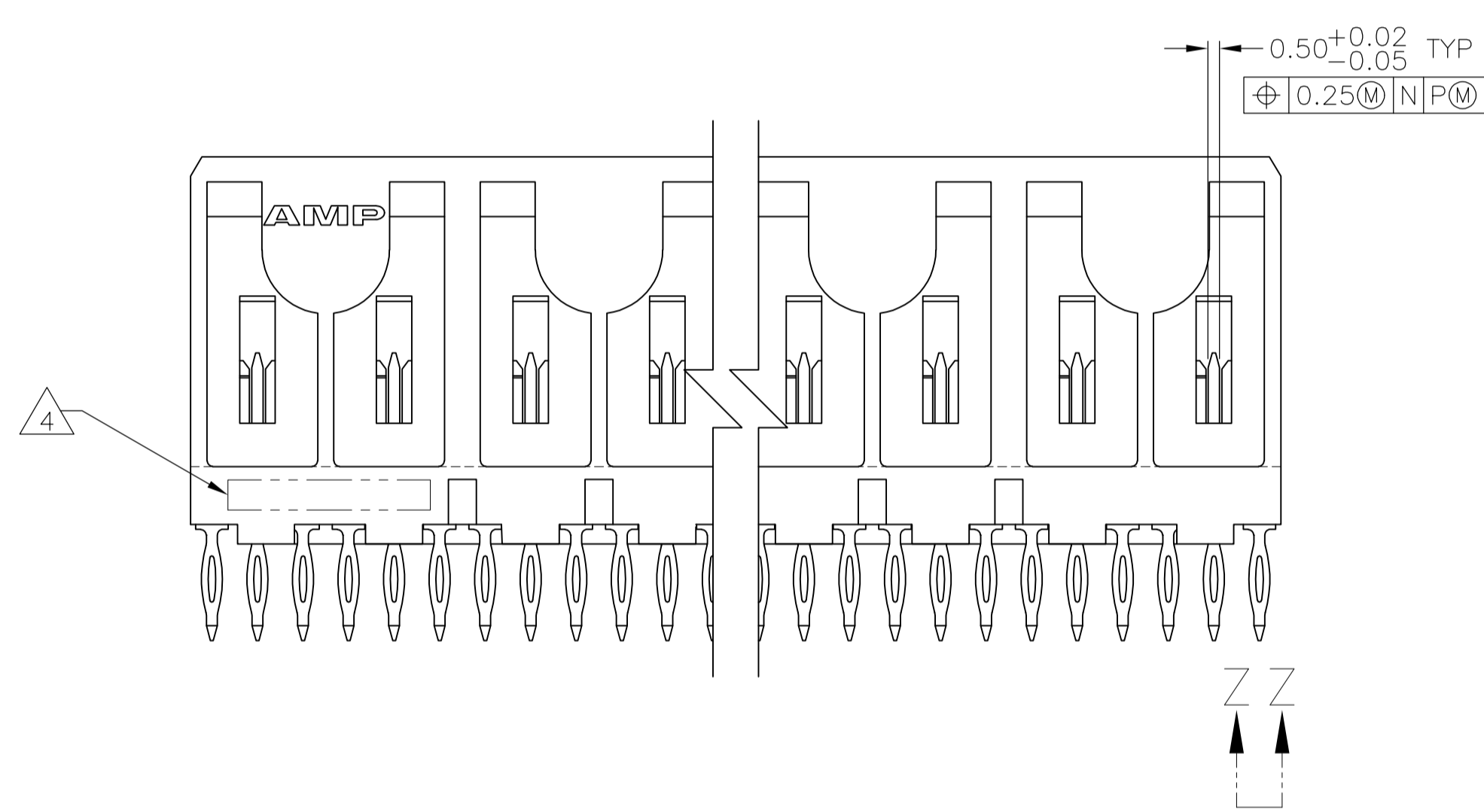
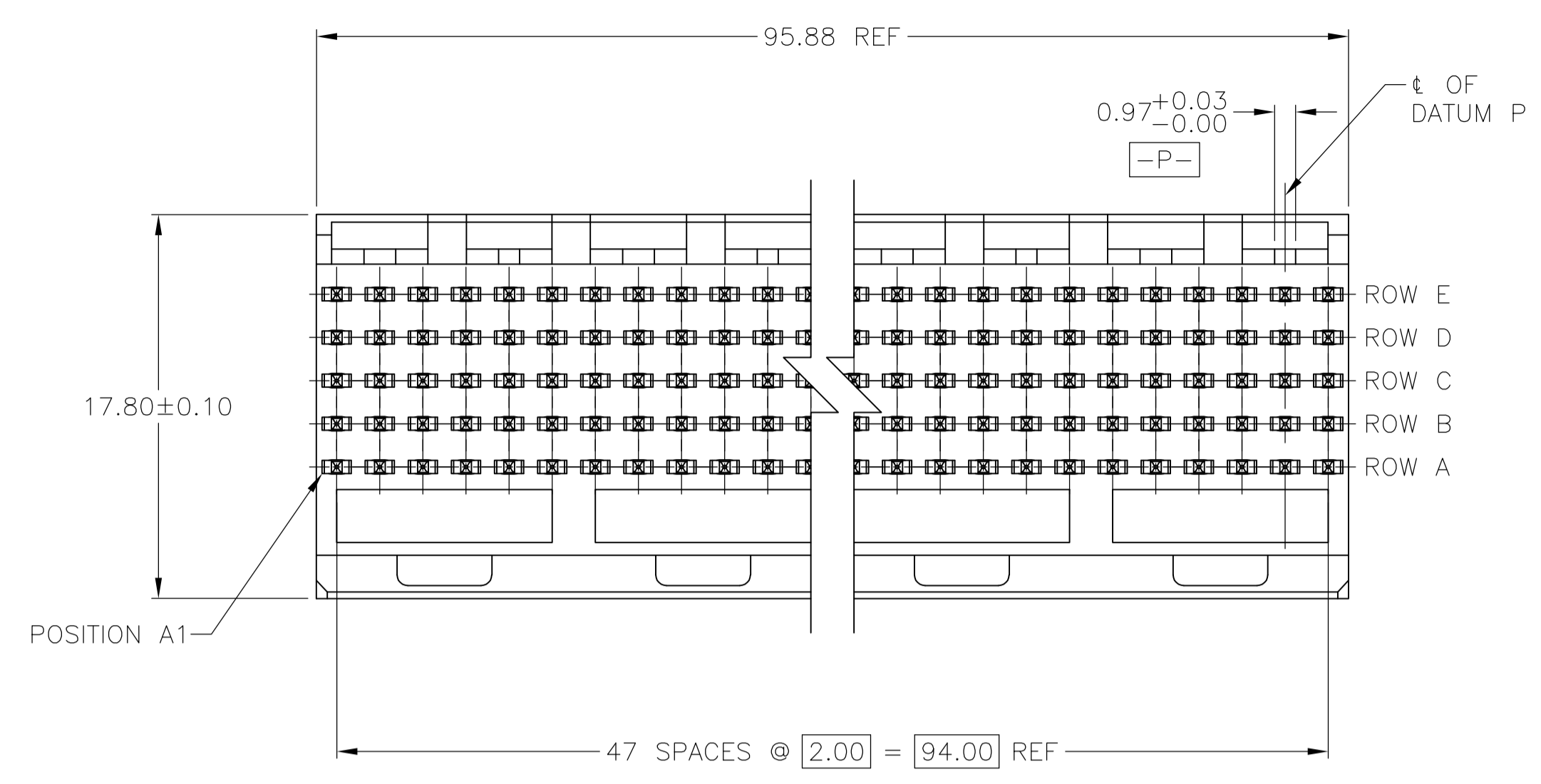


LOC		DIST		REVISIONS			
F	LTR	DESCRIPTION	DATE	DWN	APVD		
F		ECR-12-008098	08MAY2012	WC	AC		



VIEW Z-Z  
SCALE 20:1

- 1 HOUSING MATERIAL: LIQUID CRYSTAL POLYMER, NATURAL.
- 2 CONTACT MATERIAL: PHOSPHOR BRONZE.
- 3 CONTACT FINISH:  
 UNDERPLATE (ENTIRE CONTACT):  
 0.00127 MIN NICKEL PER SAE-AMS-QQ-N-290  
 ON MATING SURFACES:  
 CONFORMS TO ALL TESTING SPECIFIED FOR TELCORDIA UNCONTROLLED ENVIRONMENT.  
 ON LEADS:  
 0.0006 MIN MATTE TIN PER ASTM B 545 OVER UNDERPLATE.  
 LUBRICATION (MIN MATING SURFACES):  
 SURFACE CONDITIONER AFTER PLATING.
- 4 PART MARKING PER AMP SPEC 115-9009, LOCATED APPROXIMATELY AS SHOWN.
- 5. SEE SHEET 2 FOR SEQUENCING CHARTS.
- 6 DIMENSION APPLIES WHEN SEATED ON PRINTED CIRCUIT BOARD.
- 7 CONTACT FINISH:  
 UNDERPLATE (ENTIRE CONTACT):  
 0.00127 MIN NICKEL PER SAE-AMS-QQ-N-290  
 ON MATING SURFACES:  
 0.00076 MIN NICKEL OR COBALT HARDENED GOLD PER ASTM B-488 OVER UNDERPLATE.  
 ON LEADS:  
 0.0006 MIN MATTE TIN PER ASTM B 545 OVER UNDERPLATE.  
 LUBRICATION (MIN MATING SURFACES):  
 SURFACE CONDITIONER AFTER PLATING.
- 8 CONTACT FINISH:  
 UNDERPLATE (ENTIRE CONTACT):  
 0.00127 MIN NICKEL PER SAE-AMS-QQ-N-290  
 ON MATING SURFACES:  
 0.00030 MIN PALLADIUM NICKEL OVER UNDERPLATE.  
 ON LEADS:  
 0.0006 MIN MATTE TIN PER ASTM B 545 OVER UNDERPLATE.  
 LUBRICATION (MIN MATING SURFACES):  
 SURFACE CONDITIONER AFTER PLATING.
- 9 OBSOLETE PARTS: OBSOLETE CIS STREAMLINING PER D.RENAUD/D.SINISI

RECOMMENDED CIRCUIT PATTERN  
(COMPONENT SIDE)

THIS DRAWING IS A CONTROLLED DOCUMENT.		DIN B MCMMASTER 130EC04	Tyco Electronics Corporation Harrisburg, PA 17105-3608
		CHK R WERTZ 130EC04	
DIMENSIONS: mm		APVD R WERTZ 130EC04	NAME PIN ASSEMBLY, Z-PACK 2mm FB, SIGNAL, VERTICAL, 5 ROW, 240 POSITION, SEQUENCED, WITH PRESS FIT LEADS
TOLERANCES UNLESS OTHERWISE SPECIFIED:		PRODUCT SPEC	
0 PLC ± -		108-1441	SIZE CAGE CODE DRAWING NO RESTRICTED TO A1 00779 C=5223087
1 PLC ± -		APPLICATION SPEC	
2 PLC ± 0.13		114-1075	WEIGHT -
3 PLC ± -			
4 PLC ± -			CUSTOMER DRAWING
ANGLES ± -			
MATERIAL 1 2		SCALE 4:1 SHEET 1 OF 2 REV F	

