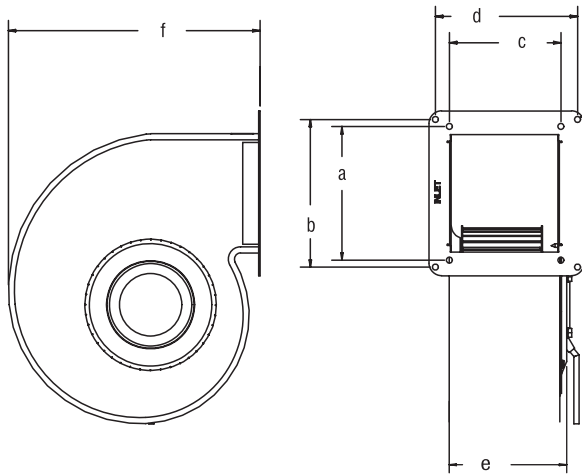


EG1G180 Series Centrifugal Blower

Ø 180mm - EC

- EC single inlet, forward curved centrifugal blower.
- Direction of rotation is CW as seen from intake side.
- Housing and impeller of galvanised sheet-steel.
- Maintenance-free ball bearings.
- UL, CSA, VDE approvals on most models, please contact application engineering.

Part Number	Curve	CFM @ D	VAC	Hertz	Power (W)	dBA	Max Amb. Temp C	Speed (RPM)	Bearing Type	Features
EG1G-230-180-03	1	770	230	60	135	-	50	4524	Ball	Leads
EG1G-230-180-04	2	619	230	60	109	-	50	4700	Ball	Leads



		a	b	c	d	e	f
EG1G-230-180-03	in	6	6.625	5	6.375	5.23	11.28
	[mm]	[32.4]	[35.78]	[27]	[34.43]	[28.24]	[60.91]
EG1G-230-180-04	in	5	5.125	4.5	5.625	5.23	10.22
	[mm]	[27]	[27.68]	[24.3]	[30.38]	[28.24]	[55.19]

