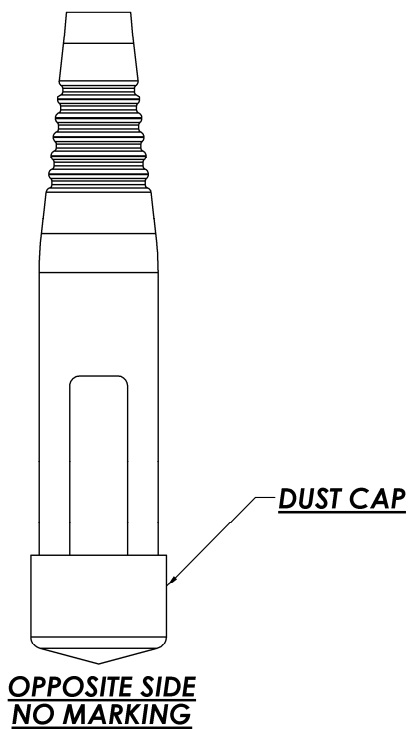
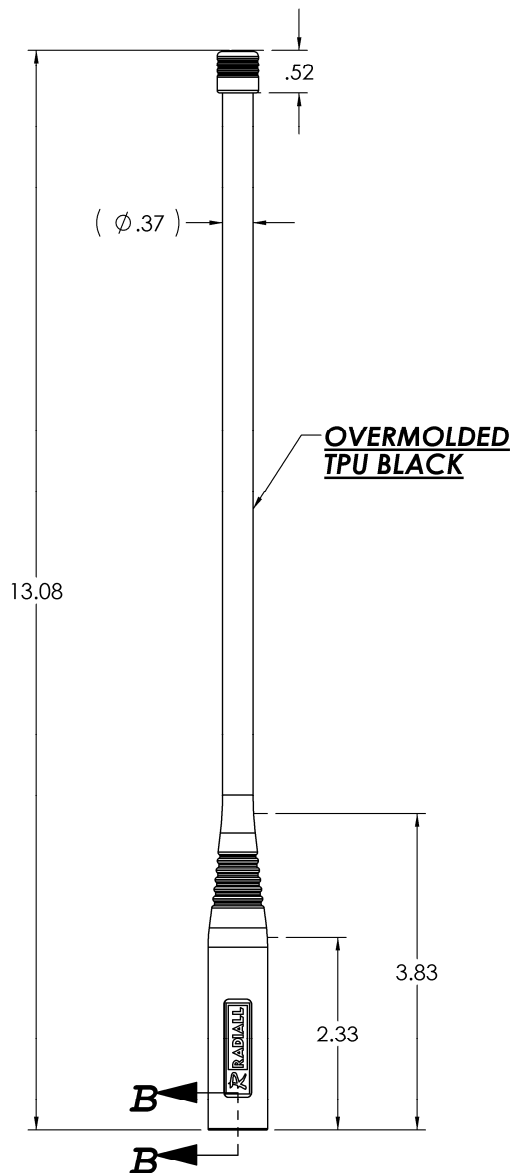


VHF ANTENNA, FLEXIBLE WHIP

136 MHz – 174 MHz

MD10-003

Series : Antenna



| | |
|-------------|--|
| UNITS: INCH | |
|-------------|--|

All dimensions are inches

Issue : 1041

In the effort to improve our products, we reserve the right to make changes judged to be necessary.



VHF ANTENNA, FLEXIBLE WHIP

136 MHz – 174 MHz

MD10-003

Series : **Antenna**

ELECTRICAL CHARACTERISTICS

| | |
|----------------------------|-------------------------|
| Frequency : | 136 - 174 MHz |
| Nominal Impedance: | 50 Ω |
| VSWR*: | 3.0:1 Max |
| Peak Gain: | >-2 dBi |
| | |
| Radiation Pattern | |
| Horizontal Plane (Θ=90°): | Omni-directional |
| Vertical Plane (Φ=0°/90): | Dipolar |
| Polarization : | Linear Vertical |
| Power withstanding : | 8 W (CW) |
| Connector type : | TNC Male |

MECHANICAL CHARACTERISTICS

| | |
|-----------------------------|--------------------------|
| Antenna Color : | Black matte |
| Antenna Material : | Texin 245 |
| Antenna Texture : | Flat |
| Flexibility: | 180° - 500 cycles |
| Matching Unit Length: | 2.70 Inches |
| Weight (antenna): | 3 Oz |
| Overall length : | 13.23 Inches |

*: Measured when antenna is mounted on a handheld radio chassis held by hand

Issue : 1041

In the effort to improve our products, we reserve the right to make changes judged to be necessary.



VHF ANTENNA, FLEXIBLE WHIP

MD10-003

136 MHz – 174 MHz

Series : **Antenna**

ENVIRONMENTAL CHARACTERISTICS

Product Compliant with the RoHS (Restriction of Hazardous Substances) and WEEE (Waste Electrical and Electronics Equipment) requirements

| | |
|--|---|
| Operating Temperature :..... | -33 / +60 °C MIL-STD-810F, Methods 501.4 & 502.4, Procedure II |
| Storage Temperature :..... | -51 / +71 °C MIL-STD-810F, Methods 501.4 & 502.4, Procedure I |
| Sand & Dust: | Ambient +70 °C Concentration 2.2 & 10.6 g/m³ Velocity 3450-5700 & 300-1750 ft/min MIL-STD-810F, Methods 510.4, Procedure I & Procedure II |
| Salt Fog:..... | 5% Salt Concentration 96 Hours MIL-STD-810F, Methods 509.4 |
| Humidity: | 95% Relative Humidity +30/+60 °C MIL-STD-810F, Methods 507.4 |
| Fungus: | US Standard Set Of Test Fungi Duration 28 Days MIL-STD-810F, Method 508.5 |
| Shock (Transit Drop):..... | Drop Height 19.7 Inches MIL-STD-810F, Method 516.5, Procedure IV, 26 Drops |
| Vibration : (Loose Cargo Transportation) | MIL STD 810F Stand alone & attached to the radio at ambient temperature Method 514.5 Procedure II Category 5 |
| Immersion :..... | MIL-STD-810F 2 Meters, Method 512.4 Salt Water Complete Immersion 2 Hours Conditioning Temperature: 27 ° Celsius above water temperature |
| Flexibility : | 180 degree bend, 500x, .5 Hz Max |

OTHER CHARACTERISTICS

Issue : 1041

In the effort to improve our products, we reserve the right to make changes judged to be necessary.



VHF ANTENNA, FLEXIBLE WHIP

MD10-003

136 MHz – 174 MHz

Series : Antenna

CURVES

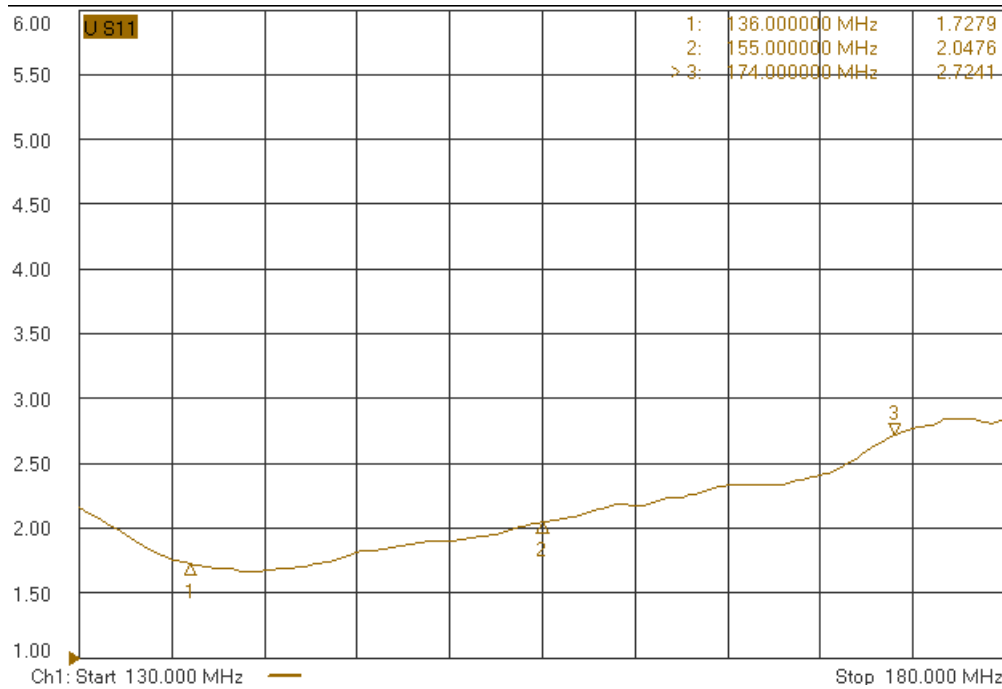


Figure 1: VSWR measured holding the radio chassis.

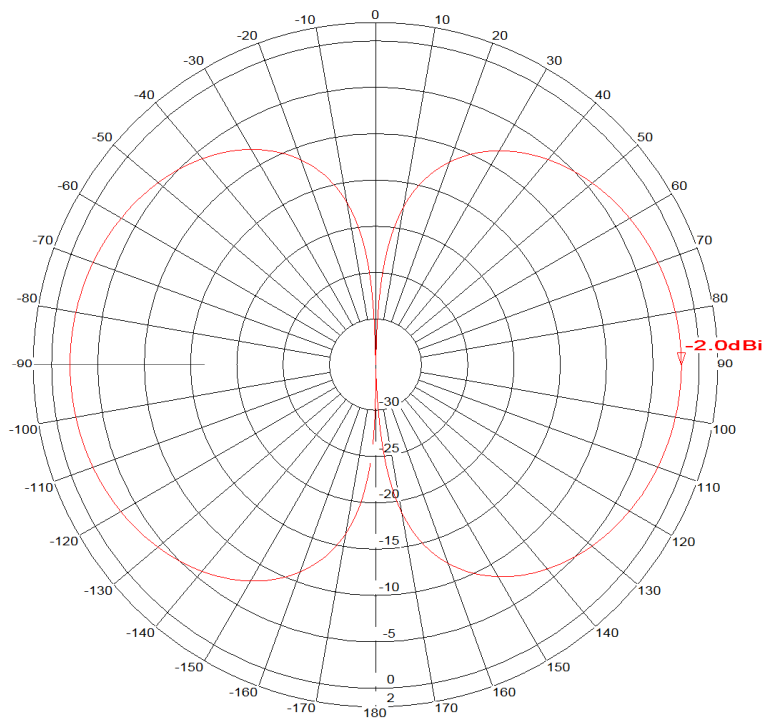


Figure 2: Elevation Gain Patterns @ 136 MHz

Issue : 1041

In the effort to improve our products, we reserve the right to make changes judged to be necessary.

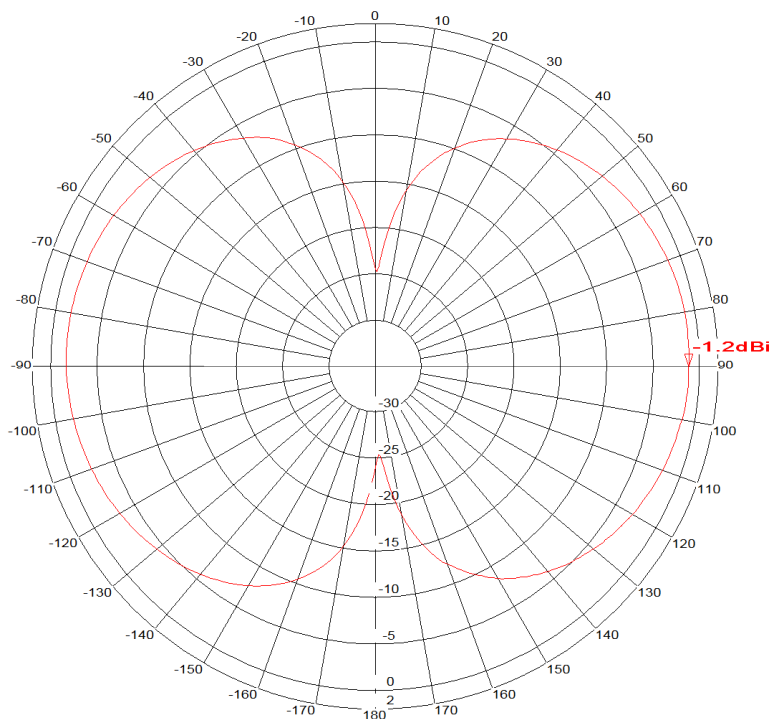


VHF ANTENNA, FLEXIBLE WHIP

MD10-003

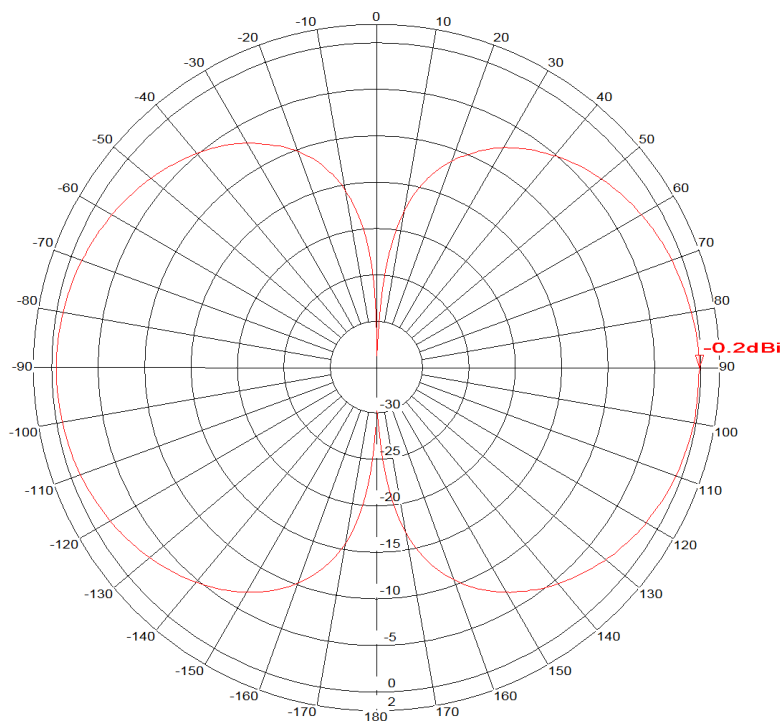
136 MHz – 174 MHz

Series : Antenna



Frequency: 0.155 GHz

Figure 3: Elevation Gain Patterns @ 155 MHz



Frequency: 0.174 GHz

Figure 4: Azimuth & Elevation Gain Patterns @ 174 MHz

Issue : 1041

In the effort to improve our products, we reserve the right to make changes judged to be necessary.

