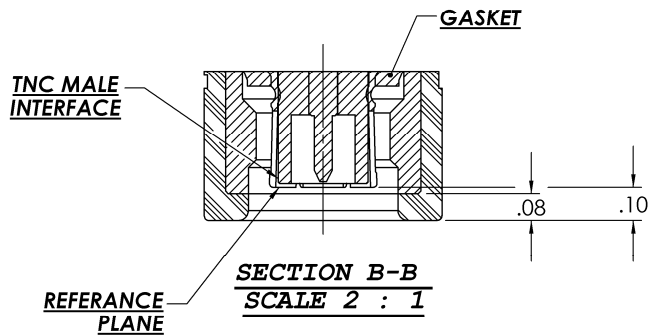
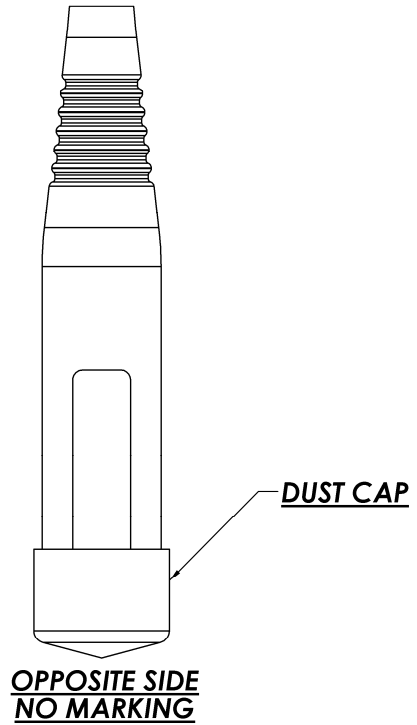
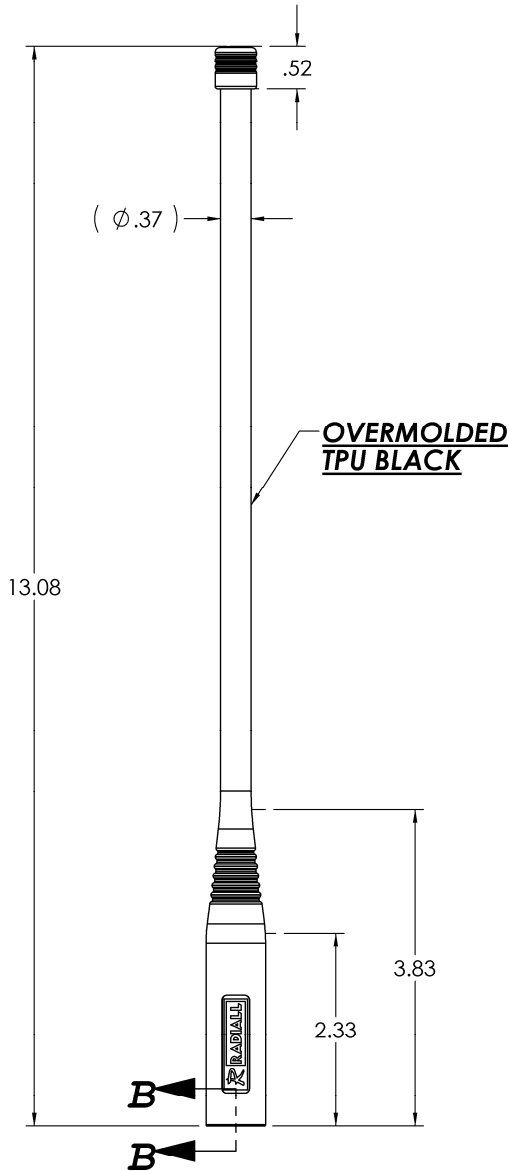


VHF ANTENNA, FLEXIBLE WHIP

136 MHz – 174 MHz

MD10-003

Series : Antenna



UNITS: INCH	
-------------	--

All dimensions are inches

Issue : 1041

In the effort to improve our products, we reserve the right to make changes judged to be necessary.



VHF ANTENNA, FLEXIBLE WHIP

136 MHz – 174 MHz

MD10-003

Series : **Antenna**

ELECTRICAL CHARACTERISTICS

Frequency : **136 - 174 MHz**

Nominal Impedance: **50 Ω**

VSWR*: **3.0:1 Max**

Peak Gain: : **>-2 dBi**

Radiation Pattern

Horizontal Plane (Θ=90°): **Omni-directional**

Vertical Plane (Φ=0°/90): **Dipolar**

Polarization : **Linear Vertical**

Power withstanding : **8 W (CW)**

Connector type : **TNC Male**

MECHANICAL CHARACTERISTICS

Antenna Color : **Black matte**

Antenna Material : **Texin 245**

Antenna Texture : **Flat**

Flexibility: **180° - 500 cycles**

Matching Unit Length: **2.70 Inches**

Weight (antenna): **3 Oz**

Overall length : **13.23 Inches**

*: Measured when antenna is mounted on a handheld radio chassis held by hand

Issue : 1041

In the effort to improve our products, we reserve the right to make changes judged to be necessary.



VHF ANTENNA, FLEXIBLE WHIP

MD10-003

136 MHz – 174 MHz

Series : **Antenna**

ENVIRONMENTAL CHARACTERISTICS

Product Compliant with the RoHS (Restriction of Hazardous Substances) and WEEE (Waste Electrical and Electronics Equipment) requirements

Operating Temperature :.....	-33 / +60 °C MIL-STD-810F, Methods 501.4 & 502.4, Procedure II
Storage Temperature :.....	-51 / +71 °C MIL-STD-810F, Methods 501.4 & 502.4, Procedure I
Sand & Dust:	Ambient +70 °C Concentration 2.2 & 10.6 g/m³ Velocity 3450-5700 & 300-1750 ft/min MIL-STD-810F, Methods 510.4, Procedure I & Procedure II
Salt Fog:.....	5% Salt Concentration 96 Hours MIL-STD-810F, Methods 509.4
Humidity:	95% Relative Humidity +30/+60 °C MIL-STD-810F, Methods 507.4
Fungus:	US Standard Set Of Test Fungi Duration 28 Days MIL-STD-810F, Method 508.5
Shock (Transit Drop):.....	Drop Height 19.7 Inches MIL-STD-810F, Method 516.5, Procedure IV, 26 Drops
Vibration : (Loose Cargo Transportation)	MIL STD 810F Stand alone & attached to the radio at ambient temperature Method 514.5 Procedure II Category 5
Immersion :.....	MIL-STD-810F 2 Meters, Method 512.4 Salt Water Complete Immersion 2 Hours Conditioning Temperature: 27 ° Celsius above water temperature
Flexibility :	180 degree bend, 500x, .5 Hz Max

OTHER CHARACTERISTICS

Issue : 1041

In the effort to improve our products, we reserve the right to make changes judged to be necessary.



VHF ANTENNA, FLEXIBLE WHIP

MD10-003

136 MHz – 174 MHz

Series : Antenna

CURVES

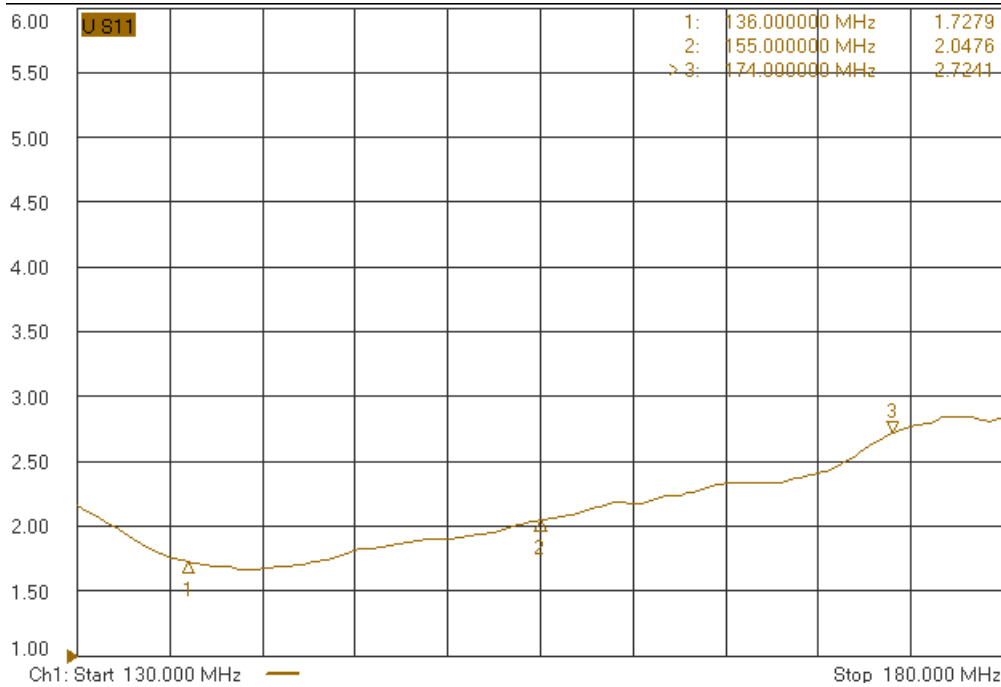


Figure 1: VSWR measured holding the radio chassis.



Figure 2: Elevation Gain Patterns @ 136 MHz

Issue : 1041

In the effort to improve our products, we reserve the right to make changes judged to be necessary.

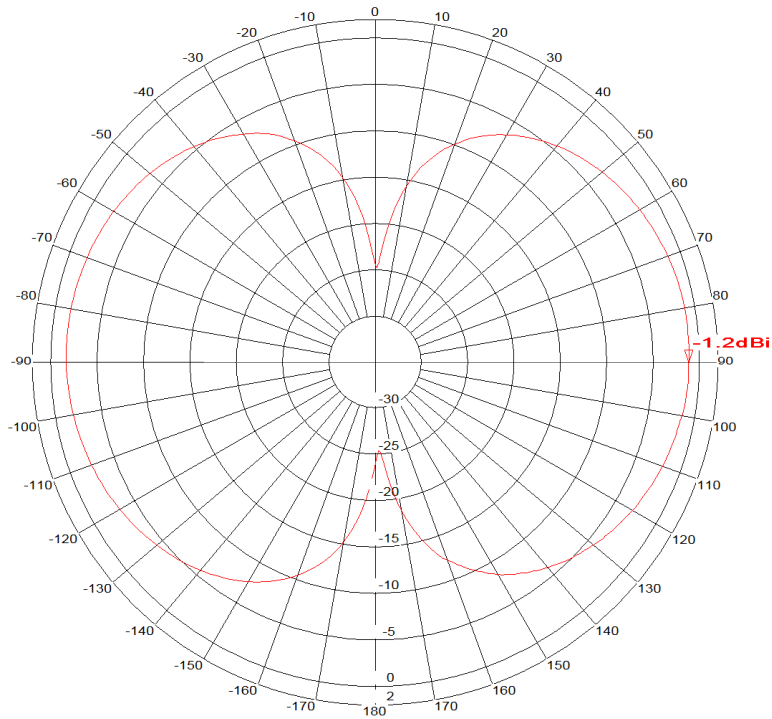


VHF ANTENNA, FLEXIBLE WHIP

MD10-003

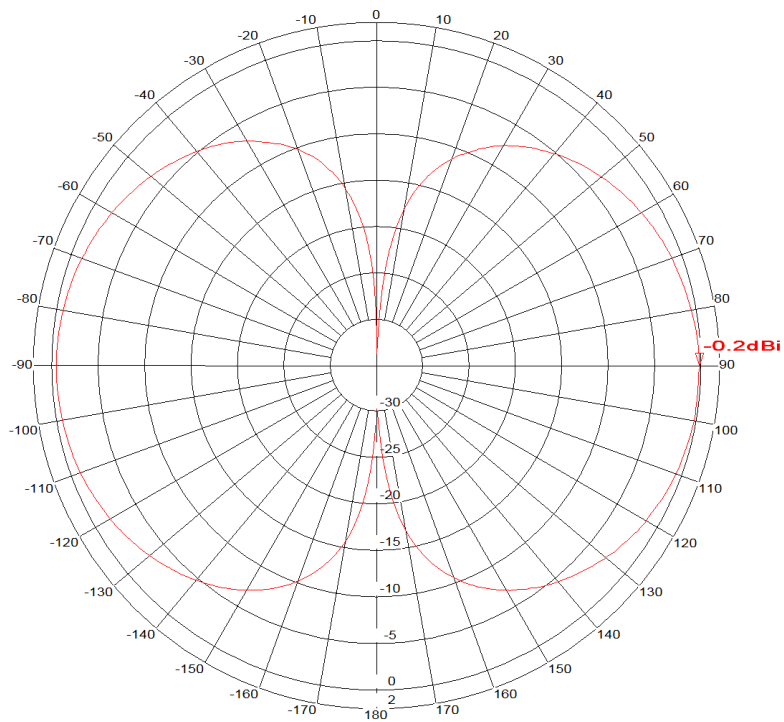
136 MHz – 174 MHz

Series : Antenna



Frequency: 0.155 GHz

Figure 3: Elevation Gain Patterns @ 155 MHz



Frequency: 0.174 GHz

Figure 4: Azimuth & Elevation Gain Patterns @ 174 MHz

Issue : 1041

In the effort to improve our products, we reserve the right to make changes judged to be necessary.

