

REV		SCR NO.	DESCRIPTION	BY	DATE	APPROVED
-	55192		NEW RELEASE	T.D.	01/15/10	H. COOK
A	55290		UPDATED TO REFLECT NEW MATING PART NUMBERS, MADE ALL DIMENSIONS REFERENCE	B.B.	04/28/10	H. COOK

NOTES:

- REFER TO FOLLOWING TECH BULLETINS FOR VIPER PRODUCT SPECIFICATIONS:  
 TB-2094: VIPER GENERAL PRODUCT SPECIFICATION  
 TB-2095: VIPER CONNECTOR QUALIFICATION PLAN SUMMARY  
 TB-2096: VIPER SIGNAL INTEGRITY CHARACTERIZATION REPORT  
 TB-2097: VIPER SIGNAL TRACE ROUTING GUIDELINES BACKPLANE AND DAUGHTERCARD  
 TB-2098: INSTALLATION OF RIGHT-ANGLE PRESSFIT VIPER DAUGHTERCARD CONNECTORS  
 TB-2099: VIPER CONNECTOR REPAIR PROCEDURES  
 TB-2100: VIPER BACKPLANE CONNECTOR PRESS-FIT INSTALLATION PROCESS
- PART MARKING AS FOLLOWS:  
 FONT: 1.52 (.06") HIGH HELVETICA  
 LOGO HEIGHT 3.81 (.15") PLACED APPROXIMATELY WHERE SHOWN  
 LINE 1: "AMPHENOL" AND DATECODE (YYWW)  
 LINE 2: MODULE PART NUMBER VP773-10001
- ALL GROUNDS WITHIN EACH SIGNAL WAFER ARE BUSSED TOGETHER.
- DUE TO DAUGHTERCARD THICKNESS VARIATIONS, M3 X 0.5 DAUGHTERCARD MOUNTING HARDWARE NOT INCLUDED. SCREW MUST NOT PROTRUDE MORE THAN 2.50 MILLIMETERS (.098") BEYOND MOUNTING SURFACE OF DAUGHTERCARD TO AVOID GUIDE PIN INTERFERENCE.
- THESE HOLES ARE REQUIRED TO SUPPORT VITA 46 PRODUCT SPECIFICATION AND ARE NOT REQUIRED FOR VIPER PRODUCT LINE TO BE INSTALLED.
- AFTER KEYING AND/OR REPAIR, LOCTITE 222-MS (P/N 22231) THREAD SEALER RECOMMENDED FOR HARDWARE RETENTION.
- KEYING TO BE SPECIFIED BY CUSTOMER WHEN ORDERING. IF NO KEYING SPECIFIED KEYS ARE BAGGED AND SHIPPED UNASSEMBLED WITH CONNECTOR.
- Ø6.00 GROUND PAD ON BOTH SIDES OF THE BOARD.
- MATES WITH VJ773-10001.

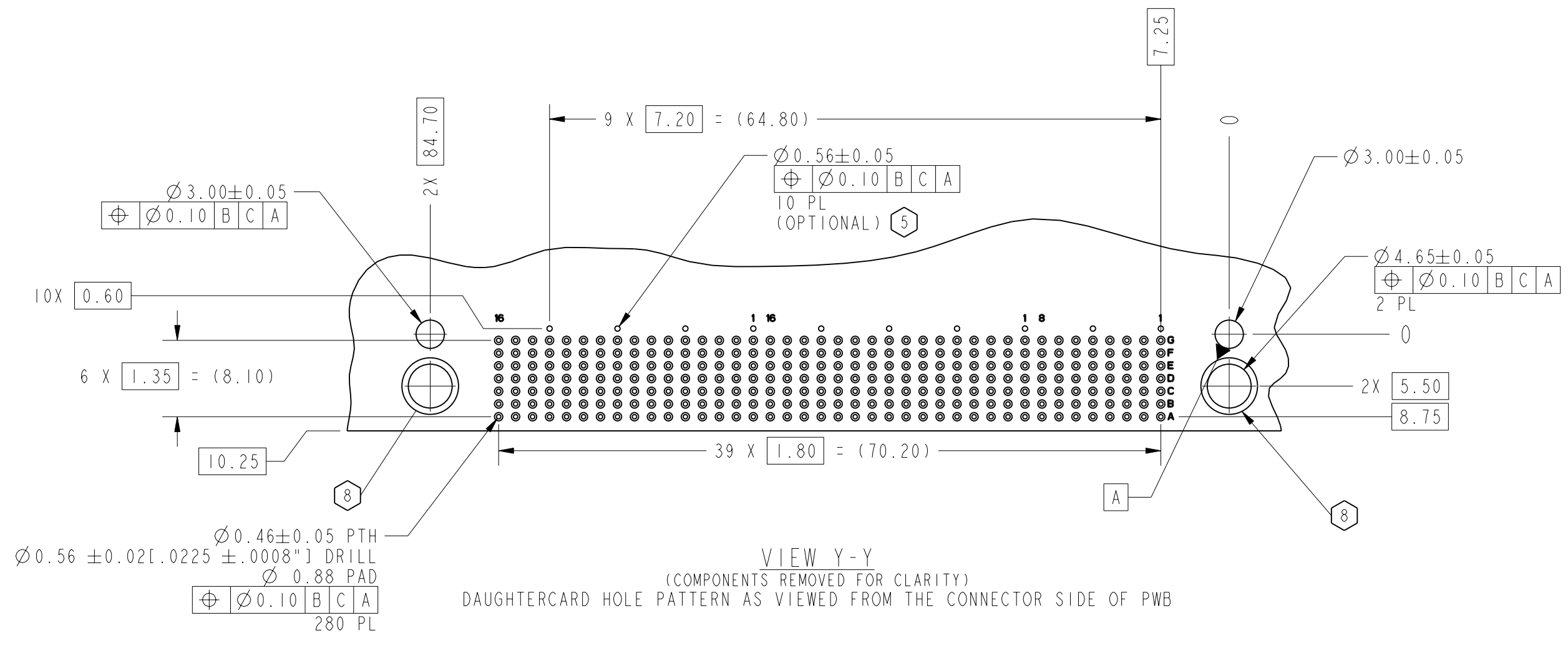
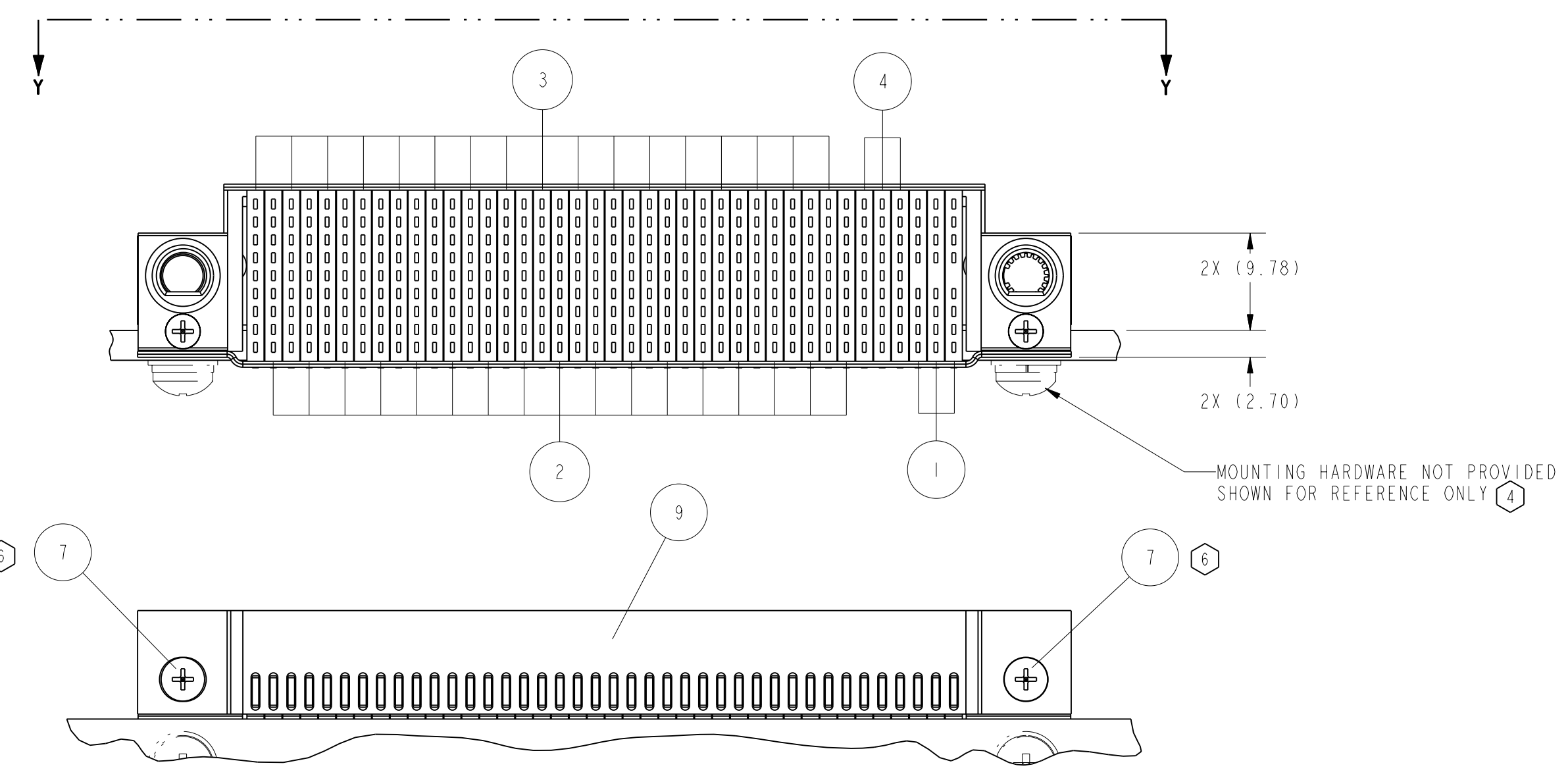
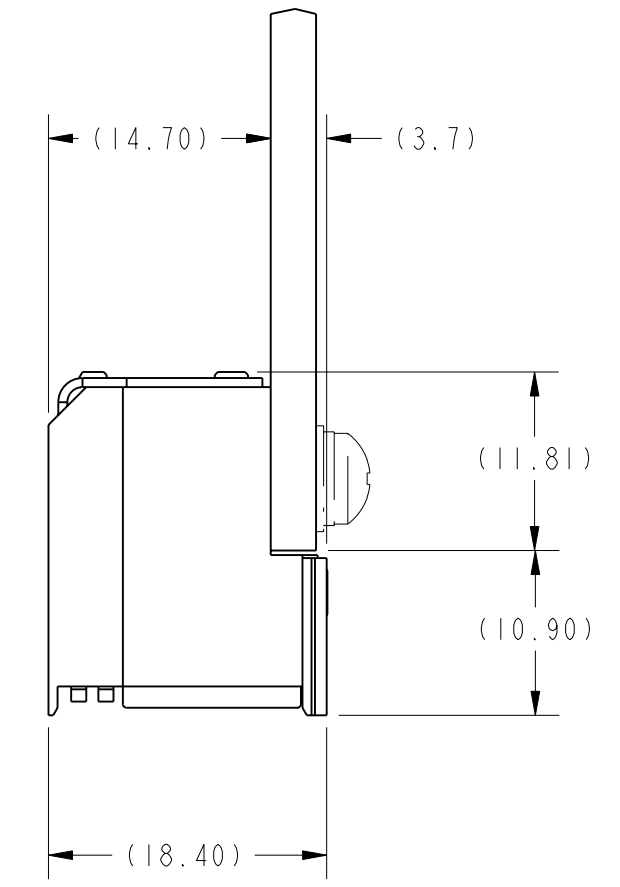
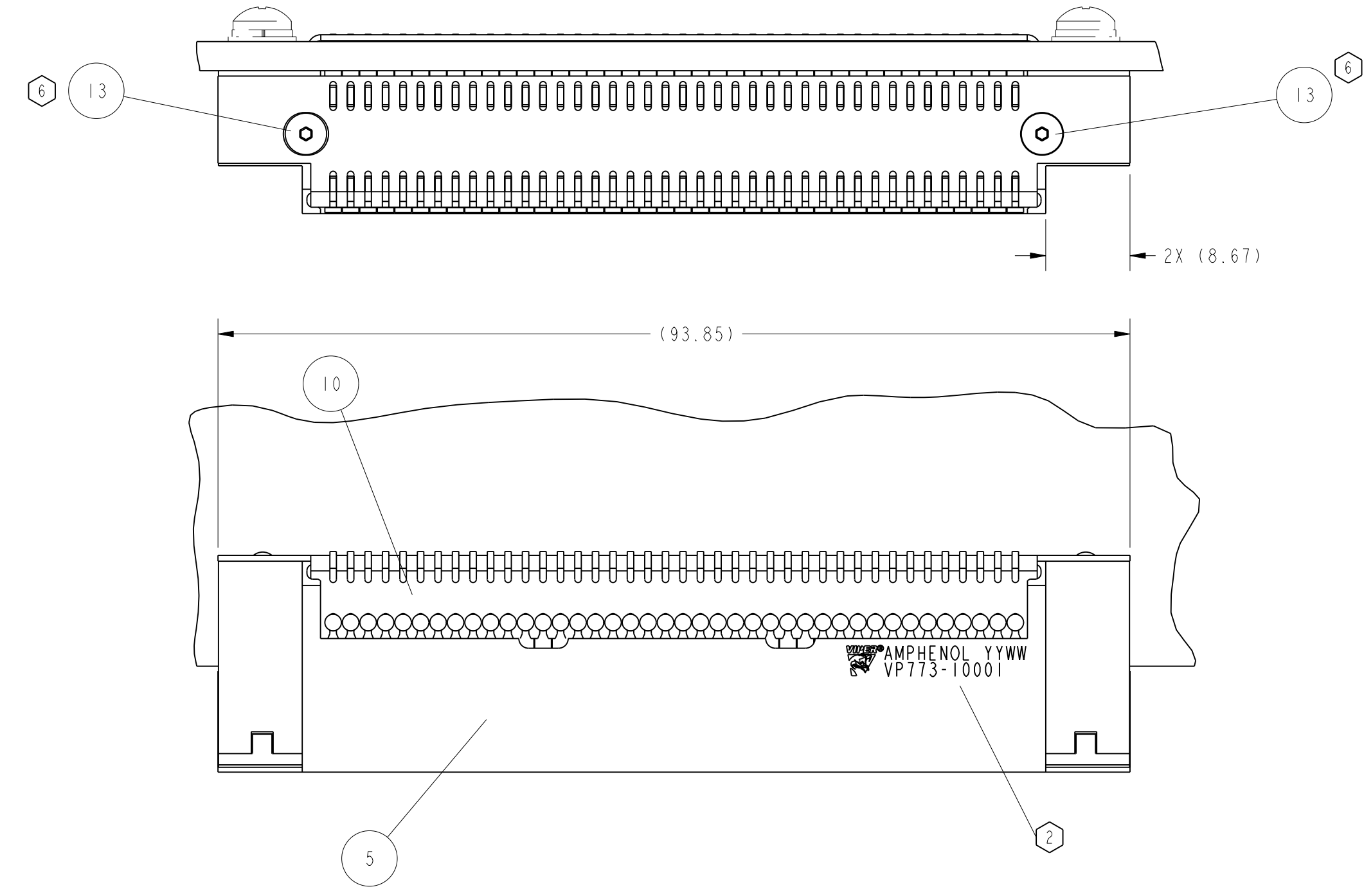
DAUGHTER CARD PARTS LIST

ITEM	PART NUMBER	DESCRIPTION	MATERIAL/PLATING	QTY
1	746-2023-000	POWER WAFER	INSULATOR: LCP UL94 V0 PER MIL-M-24519 CONTACTS: OLIN C7025 TMO3 PLATING: 50µ IN. GOLD OVER 150µ IN. NICKEL TIN-LEAD PLATING ON COMPLIANTS	3
2	746-2025-000	ODD DIFFERENTIAL WAFER	INSULATOR: LCP UL94 V0 PER MIL-M-24519 CONTACTS: OLIN C7025 TMO3 PLATING: 50µ IN. GOLD OVER 150µ IN. NICKEL TIN-LEAD PLATING ON COMPLIANTS	17
3	746-2026-000	EVEN DIFFERENTIAL WAFER	INSULATOR: LCP UL94 V0 PER MIL-M-24519 CONTACTS: OLIN C7025 TMO3 PLATING: 50µ IN. GOLD OVER 150µ IN. NICKEL TIN-LEAD PLATING ON COMPLIANTS	17
4	746-2024-000	SINGLE ENDED WAFER	INSULATOR: LCP UL94 V0 PER MIL-M-24519 CONTACTS: OLIN C7025 TMO3 PLATING: 50µ IN. GOLD OVER 150µ IN. NICKEL TIN-LEAD PLATING ON COMPLIANTS	3
5	846-0070-000	3U DC CONNECTOR FRAME	STAINLESS STEEL, TYPE 303, PASSIVATED	1
6	800-7221-100	ESD GROUNDING SLEEVE	CDA172, B+CU; GOLD OVER NICKEL PLATING	1
7	800-7216-100	2-56 FLATHEAD 100" SCREW	300 SERIES STAINLESS STEEL	2
8	800-7291-100	1-64 FLATHEAD 82" SCREW	300 SERIES STAINLESS STEEL	2
9	846-0071-000	FRONT STIFFENER	STAINLESS STEEL, TYPE 301, 1/2 HARD FINISH: MIL 2B	1
10	846-0072-000	BACK STIFFENER	STAINLESS STEEL, TYPE 301, 1/2 HARD FINISH: MIL 2B	1
11	846-0104-000	DC KEY BUSHING	STAINLESS STEEL, TYPE 440, PASSIVATED	2
12	846-0073-000	GUIDANCE/KEYING END CAPS	STAINLESS STEEL, TYPE 440, PASSIVATED	2
13	800-7621-100	1-72 FLATHEAD X .25 L HEX DRIVE	STEEL BLACK OXIDE FINISH	2

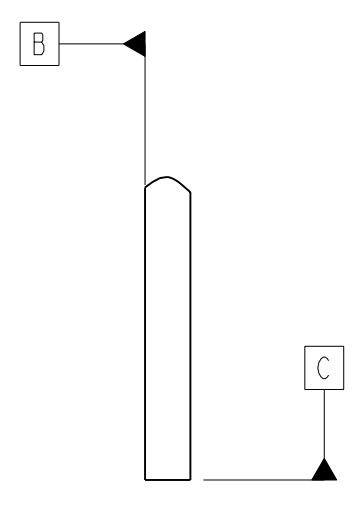


PROENGINEER PART		TOLERANCES		DWN 01/04/10 T. DOUCET		<b>Amphenol Corporation</b>	
VIPER_DC_VARIANT-A.ASSEM		0.0 ±		CHK 07/14/10 R. CHIFFY		AMPHENOL BACKPLANE SYSTEMS NASHUA, NH 03063	
PROENGINEER DRAWING		0.000 ±		APVD 07/15/10 H. COOK		TITLE VIPER VARIANT "A" CONNECTOR, DAUGHTERCARD 3U CONFIGURATION	
CVP77310001		ANGLES ±°		UNLESS OTHERWISE SPECIFIED DIMENSIONS ARE IN MILLIMETERS		PART NO. VP773-10001	
INTERPRET PER ASME Y14.5M		CUSTOMER USE DRAWING		DRAWING NO. C-VP773-10001		REV A	
CODE IDENT 55KX1		SIZE D		SCALE 2/1		SHEET 1 OF 4	

DWG NO. C-VP773-10001 SH 1 REV A

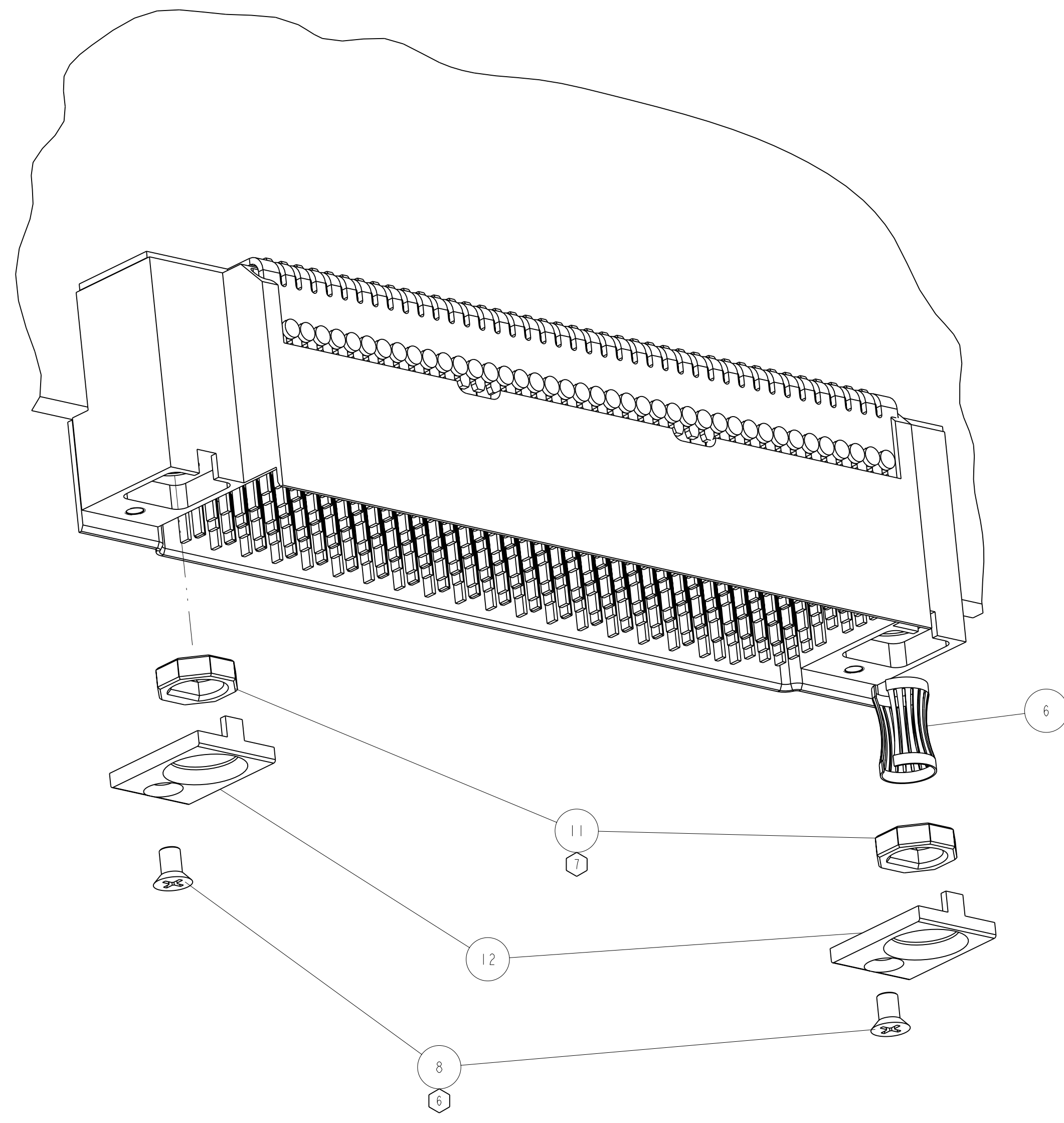


VIEW Y-Y  
(COMPONENTS REMOVED FOR CLARITY)  
DAUGHTERCARD HOLE PATTERN AS VIEWED FROM THE CONNECTOR SIDE OF PWB



CODE IDENT 55KX1

CUSTOMER USE DRAWING		PART NO.	VP773-10001	REV	A
		DRAWING NO.	C-VP773-10001	REV	A
SIZE	D	SCALE	2/1	SHEET	2 OF 4

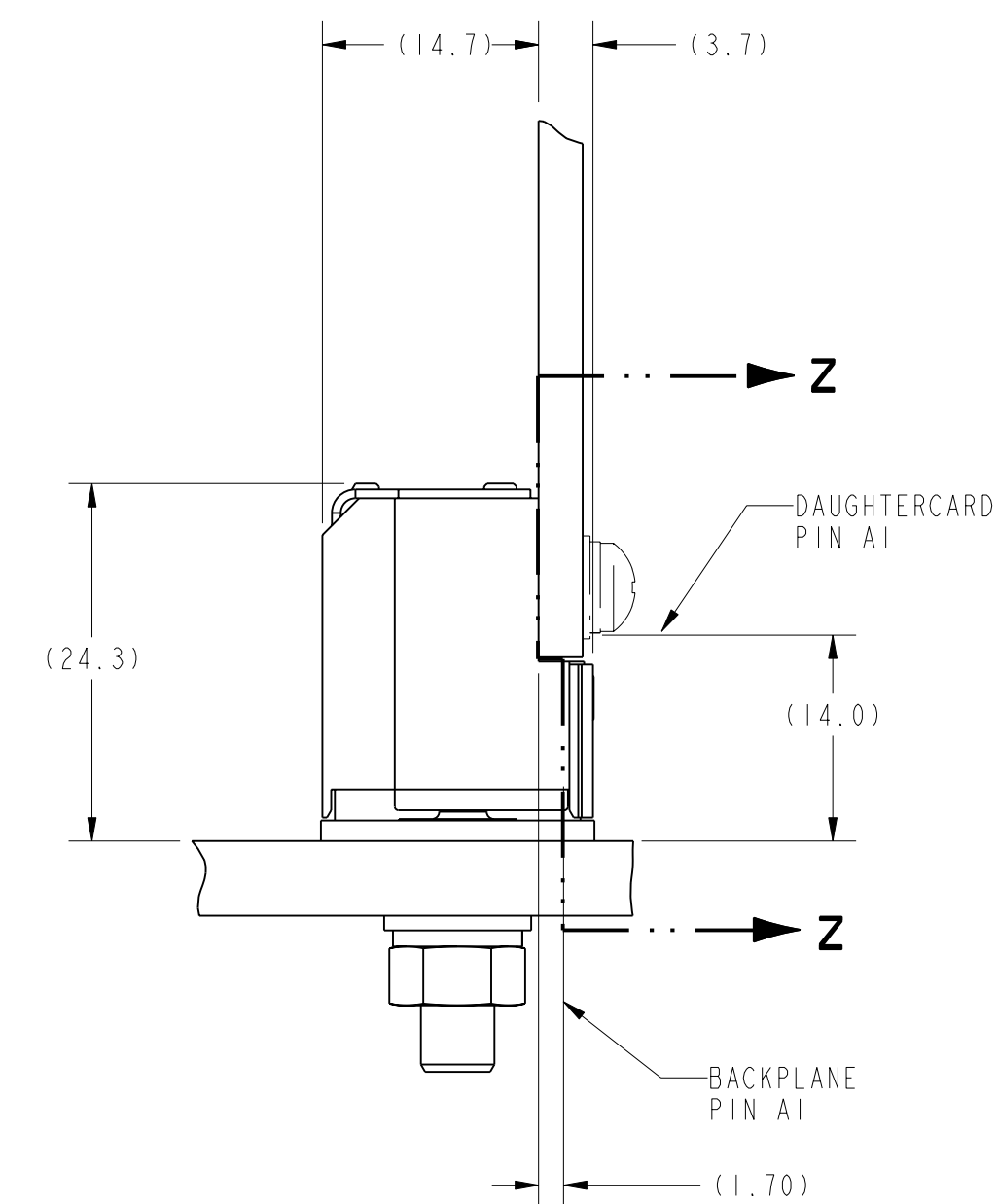
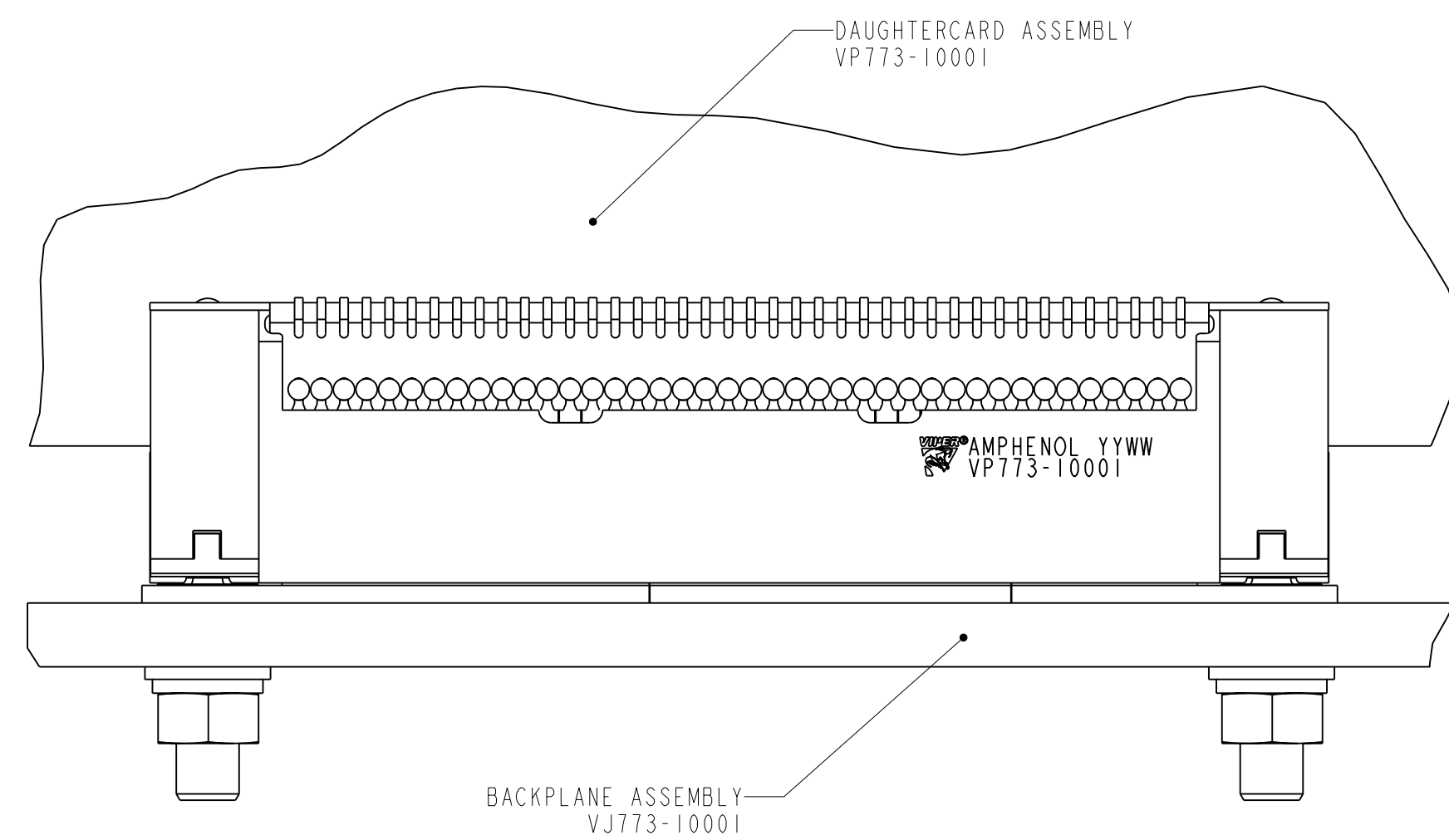


GUIDANCE / KEYING / ESD  
HARDWARE EXPLODED VIEW  
SCALE 3/1

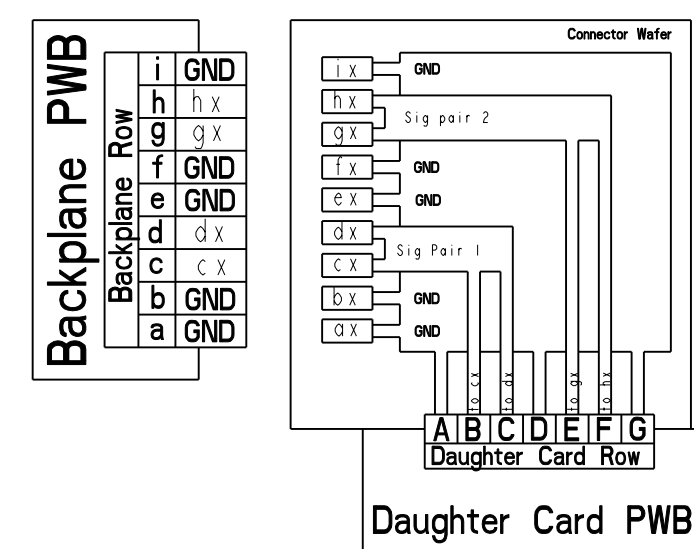
CODE IDENT 55KX1

CUSTOMER USE DRAWING		PART NO.	VP773-10001	REV	A
		DRAWING NO.	C-VP773-10001	REV	A
SIZE	D	SCALE	2/1	SHEET	3 OF 4

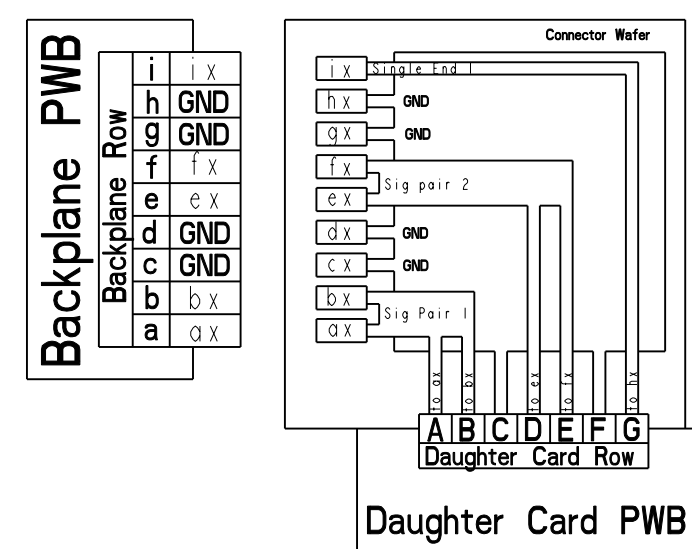
# MATED CONFIGURATION



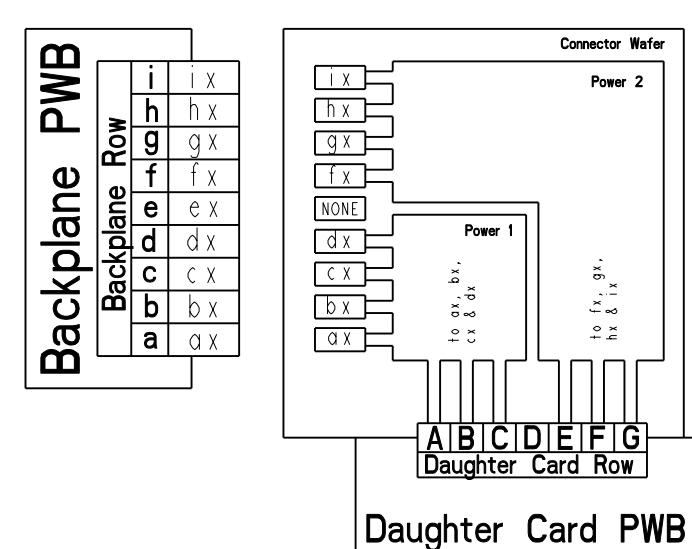
746-2026-000  
DIFFERENTIAL (EVEN) WAFER MAPPING



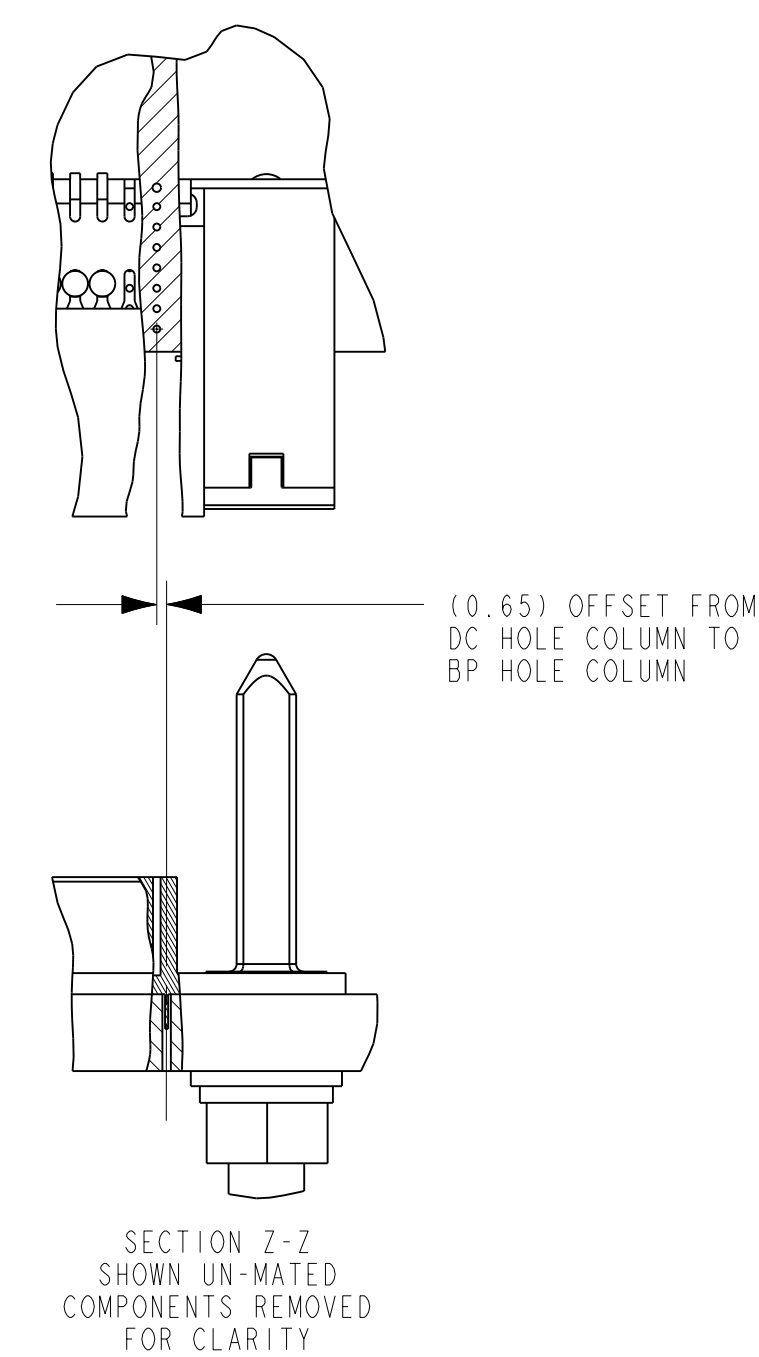
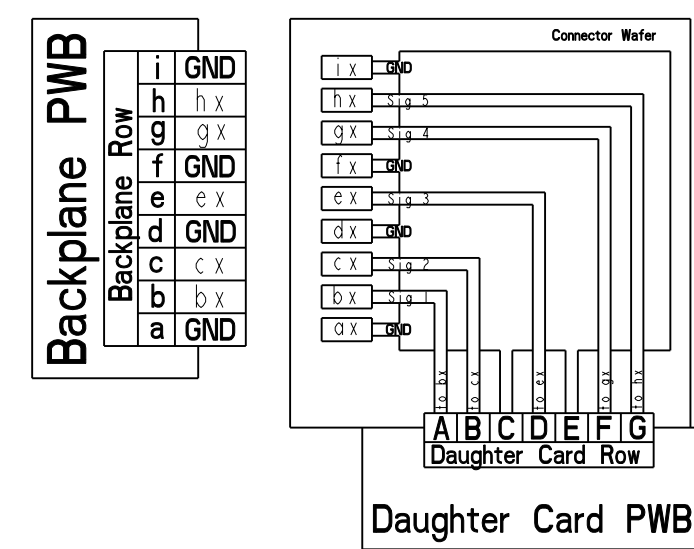
746-2025-000  
DIFFERENTIAL (ODD) WAFER MAPPING



746-2023-000  
POWER WAFER MAPPING



746-2024-000  
SINGLE ENDED WAFER MAPPING



CODE IDENT 55KX1

CUSTOMER  
USE  
DRAWING

PART NO.	VP773-10001	REV	A
DRAWING NO.	C-VP773-10001	REV	A
SIZE	D	SCALE	2/1
		SHEET	4 OF 4