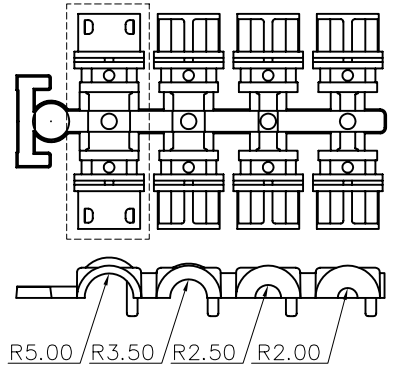
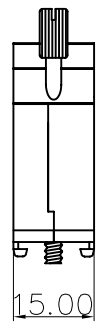
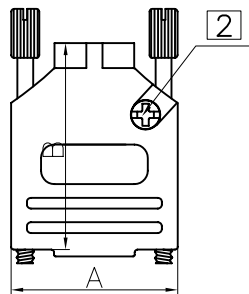
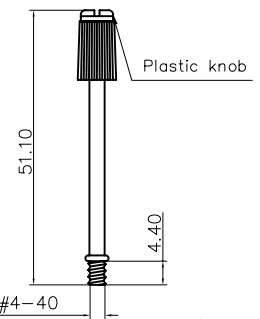
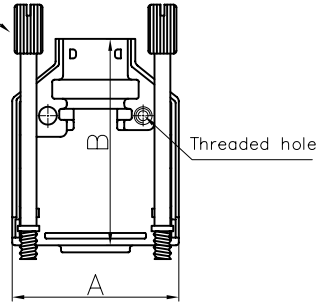
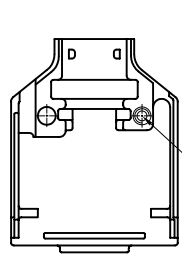


This document is the property of Amphenol Corporation and is delivered on the express condition that it is not to be disclosed, reproduced or used, in whole or in part, for manufacture or sale by anyone other than Amphenol Corporation without its prior consent, & that no right is granted to disclose or to use any information in this document.

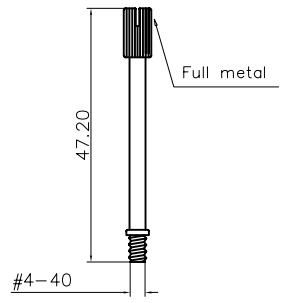


Cable strain relief



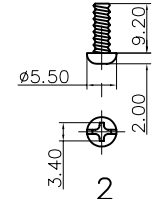
1

Thumb screw



Full metal

Screw thread



2

Screw

Part Number	A	B	Part Number
L17D TZK 09K FM T	31 (1.220")	38.3 (1.508")	L17D TZK 09K T
L17D TZK 15K FM T	39.5 (1.555")	40.5 (1.594")	L17D TZK 15K T
L17D TZK 25K FM T	53.4 (2.102")	48.2 (1.897")	L17D TZK 25K T
L17D TZK 37K FM T	70 (2.755")	52.2 (2.055")	L17D TZK 37K T

Customer drawing

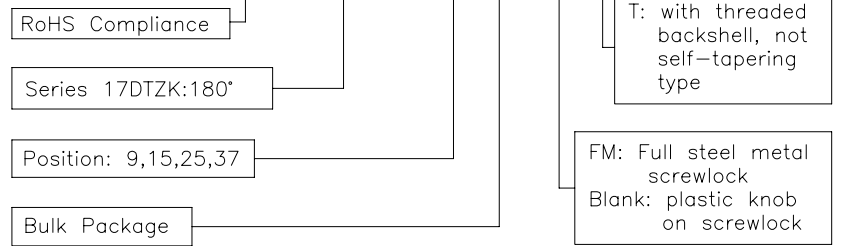
REVISIONS				
SYM	ECN	DESCRIPTION	DATE	APPROVED
1			06/06/08	

D-SUB TECHNICAL DATA

Material and finish:  
 Shell: die-cast, nickel plated  
 Thumb screws: with metal knob, nickel plated  
 Screws: Steel, blue chromate plating, Philips head  
 Cable strain relief: Plastic UL94 V-0  
 Temperature range: -40°C to 120°C  
 Cable diameter: 4.0-13.0mm  
 Attenuation factor: >40 dB between 30 MHz and 1 GHz

PRODUCT CODE

L 17DTZK XX K XX T



UNLESS OTHERWISE SPECIFIED TOLERANCES		APPROVAL		DATE
U.S.	METRIC	DRAWN	Sunny Li	06/06/08
.X +/-	0.50	CHECKED	kk.wang	06/06/08
.XX +/-	0.30	CHECKED		
.XXX +/-	0.20			
FRACTIONS +/-	2'			
ANGLES +/-				
FOR MATERIALS AND FINISHES SEE NOTES		DRAWING FILE :		
REMOVE SHARP EDGES		ANGLE OF PROJECTION		
DIMENSIONS				
U.S.	INCHES			
METRIC	MM			

Amphenol®

TITLE  
Metal Hood DTZK series

SIZE	DRAWING NO.	REV.
A4	C L17D TZK XXX XX T	1
SCALE	NONE	SHEET 1 OF 4

This document is the property of Amphenol Corporation and is delivered on the express condition that it is not to be disclosed, reproduced or used, in whole or in part, for manufacture or sale by anyone other than Amphenol Corporation without its prior consent, & that no right is granted to disclose or to use any information in this document.

**REVISIONS**

SYM	ECN	DESCRIPTION	DATE	APPROVED
1			06/06/08	

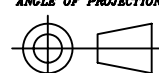
**D-SUB TECHNICAL DATA**

Material and finish:  
 Shell: die-cast, nickel plated  
 Thumb screws: with metal knob, nickel plated  
 Screws: Steel, blue chromate plating, Philips head  
 Cable strain relief: Plastic UL94 V-0  
 Temperature range: -40°C to 120°C  
 Cable diameter: 4.0-13.0mm  
 Attenuation factor: >40 dB between 30 MHz and 1 GHz

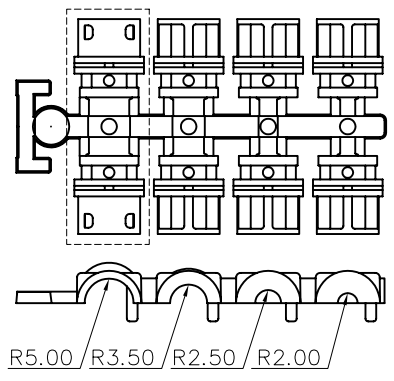
**PRODUCT CODE**

**L 17DTZK XX K XX T**

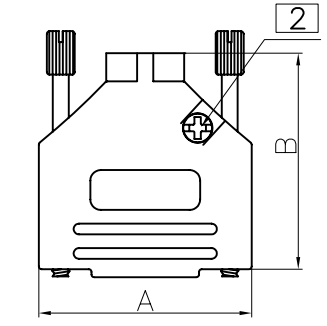
RoHS Compliance	T: with threaded backshell, not self-tapering type
Series 17DTZK:180°	
Position:9,15,25,37	FM: Full steel metal screwlock Blank: plastic knob on screwlock
Bulk Package	

UNLESS OTHERWISE SPECIFIED TOLERANCES		APPROVAL		DATE
U.S.	METRIC	DRAWN	SUNNY-LL	06/06/08
.X +/-	0.50	CHECKED	Wk.wang	06/06/08
.XX +/-	0.30	CHECKED		
.XXX +/-	0.20			
FRACTIONS +/-				
ANGLES +/-	2°			
FOR MATERIALS AND FINISHES SEE NOTES		DRAWING FILE :		
REMOVE SHARP EDGES		ANGLE OF PROJECTION		
DIMENSIONS				
U.S.	INCHES			
METRIC	MM			

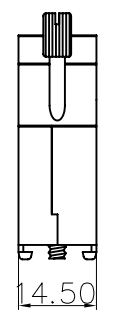
Amphenol®		
TITLE <b>Metal Hood DTZK series</b>		
SIZE	DRAWING NO.	REV.
A4	C L17D TZK XXX XX T	1
SCALE	NONE	SHEET 2 OF 4



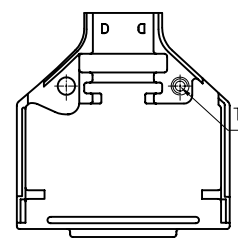
Cable strain relief



L17D TZK 15K XX T

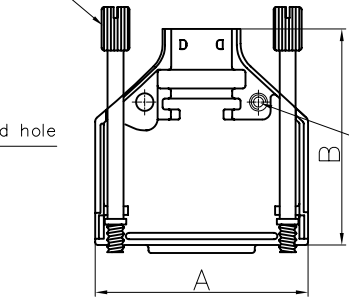


1



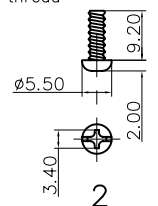
L17D TZK 15K XX T

Thumb screw



Full metal

Screw thread



2

Screw

Part Number	A	B	Part Number
L17D TZK 09K FM T	31 (1.220")	38.3 (1.508")	L17D TZK 09K T
L17D TZK 15K FM T	39.5 (1.555")	40.5 (1.594")	L17D TZK 15K T
L17D TZK 25K FM T	53.4 (2.102")	48.2 (1.897")	L17D TZK 25K T
L17D TZK 37K FM T	70 (2.755")	52.2 (2.055")	L17D TZK 37K T

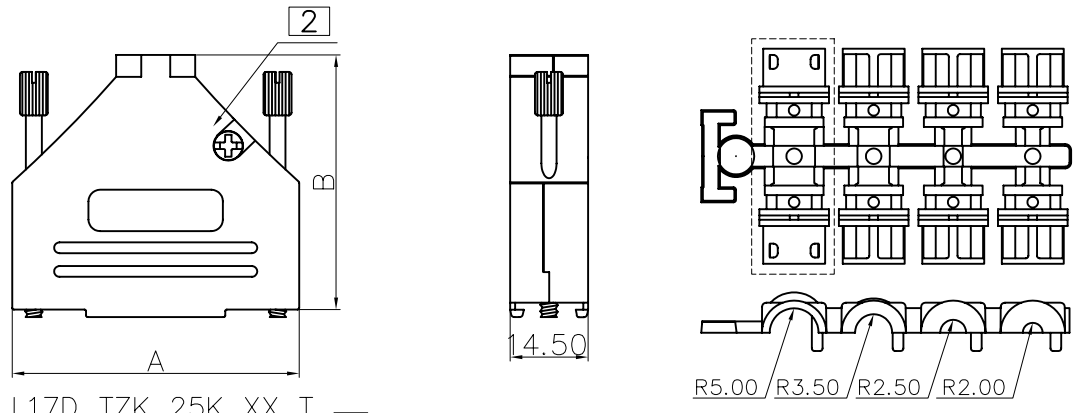
Customer drawing

This document is the property of Amphenol Corporation and is delivered on the express condition that it is not to be disclosed, reproduced or used, in whole or in part, for manufacture or sale by anyone other than Amphenol Corporation without its prior consent, & that no right is granted to disclose or to use any information in this document.

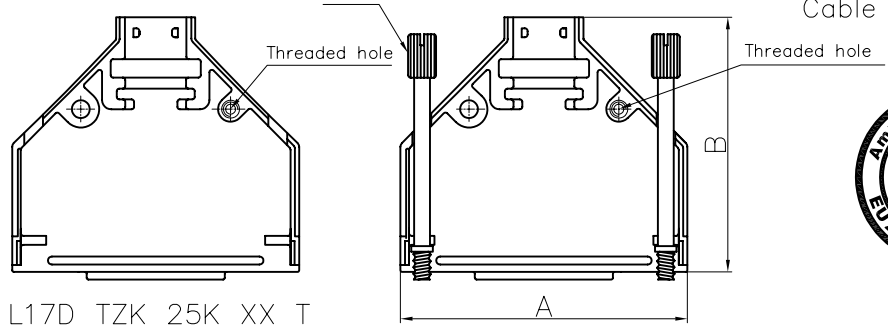
REVISIONS				
SYM	ECN	DESCRIPTION	DATE	APPROVED
1			06/06/08	

**D-SUB TECHNICAL DATA**

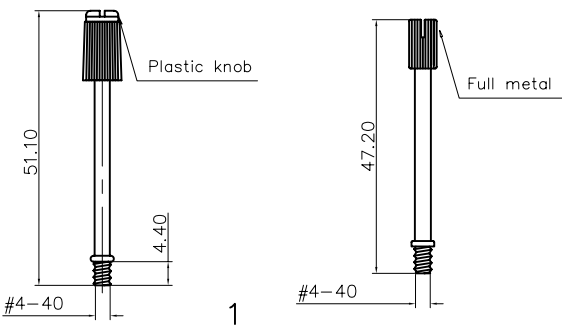
Material and finish:  
 Shell: die-cast, nickel plated  
 Thumb screws: with metal knob, nickel plated  
 Screws: Steel, blue chromate plating, Philips head  
 Cable strain relief: Plastic UL94 V-0  
 Temperature range: -40°C to 120°C  
 Cable diameter: 4.0-13.0mm  
 Attenuation factor: >40 dB between 30 MHz and 1 GHz



L17D TZK 25K XX T



L17D TZK 25K XX T



Thumb screw

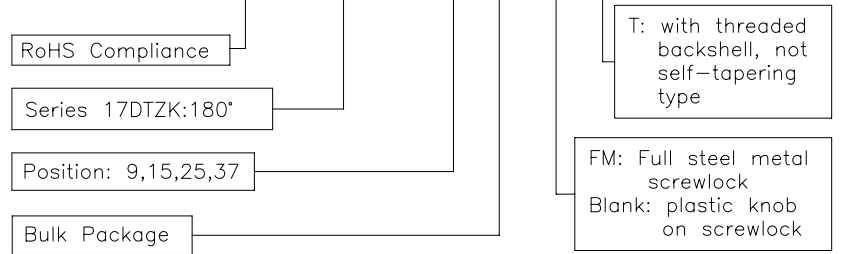
Screw

Part Number	A	B	Part Number
L17D TZK 09K FM T	31 (1.220")	38.3 (1.508")	L17D TZK 09K T
L17D TZK 15K FM T	39.5 (1.555")	40.5 (1.594")	L17D TZK 15K T
L17D TZK 25K FM T	53.4 (2.102")	48.2 (1.897")	L17D TZK 25K T
L17D TZK 37K FM T	70 (2.755")	52.2 (2.055")	L17D TZK 37K T

Customer drawing

**PRODUCT CODE**

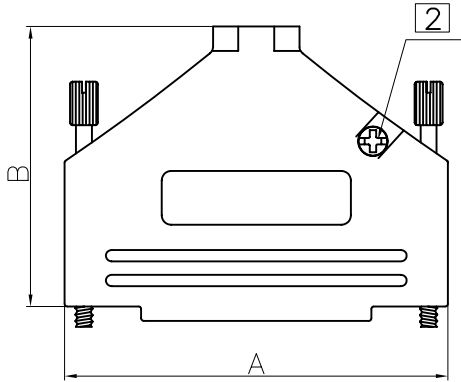
L 17DTZK XX K XX T



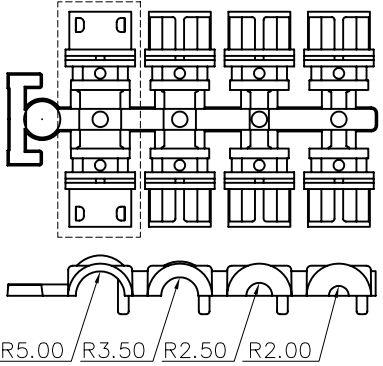
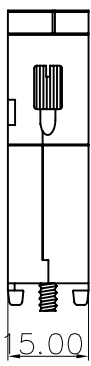
UNLESS OTHERWISE SPECIFIED TOLERANCES	APPROVAL		DATE
	U.S.	METRIC	
.X +/-	0.50	DRAWN Sunny Li	06/06/08
.XX +/-	0.30	CHECKED Hk.wang	06/06/08
.XXX +/-	0.20	CHECKED	
FRACTIONS +/-			
ANGLES +/-	2'		
FOR MATERIALS AND FINISHES SEE NOTES	DRAWING FILE :		
REMOVE SHARP EDGES	ANGLE OF PROJECTION		
DIMENSIONS			
U.S. INCHES			
METRIC MM			

Amphenol®		
TITLE Metal Hood DTZK series		
SIZE	DRAWING NO.	REV.
A4	C L17D TZK XXX XX T	1
SCALE	NONE	SHEET 3 OF 4

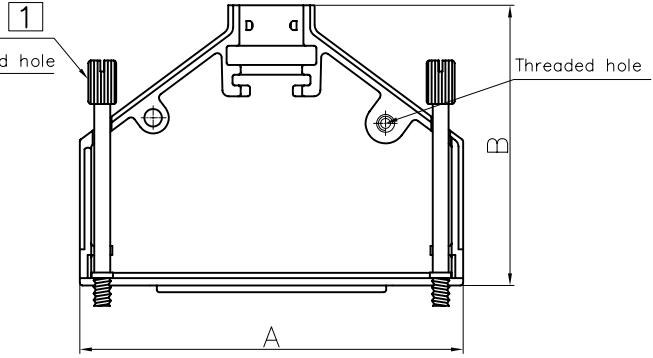
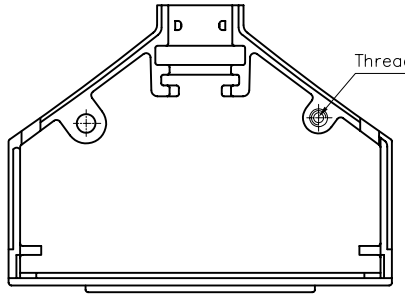
This document is the property of Amphenol Corporation and is delivered on the express condition that it is not to be disclosed, reproduced or used, in whole or in part, for manufacture or sale by anyone other than Amphenol Corporation without its prior consent, & that no right is granted to disclose or to use any information in this document.



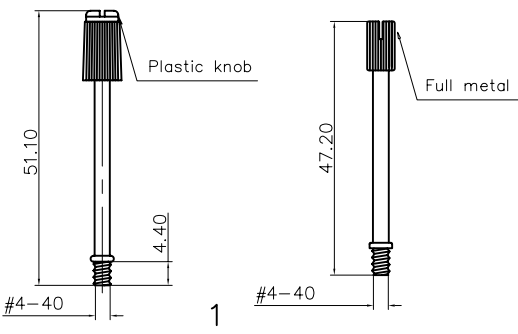
L17D TZK 37K XX T



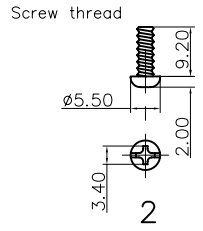
Cable strain relief



L17D TZK 37K XX T



Thumb screw



Screw



Customer drawing

Part Number	A	B	Part Number
L17D TZK 09K FM T	31 (1.220")	38.3 (1.508")	L17D TZK 09K T
L17D TZK 15K FM T	39.5 (1.555")	40.5 (1.594")	L17D TZK 15K T
L17D TZK 25K FM T	53.4 (2.102")	48.2 (1.897")	L17D TZK 25K T
L17D TZK 37K FM T	70 (2.755")	52.2 (2.055")	L17D TZK 37K T

REVISIONS				
SYM	ECN	DESCRIPTION	DATE	APPROVED
1			06/06/08	

D-SUB TECHNICAL DATA

Material and finish:  
 Shell: die-cast, nickel plated  
 Thumb screws: with metal knob, nickel plated  
 Screws: Steel, blue chromate plating, Philips head  
 Cable strain relief: Plastic UL94 V-0  
 Temperature range: -40°C to 120°C  
 Cable diameter: 4.0-13.0mm  
 Attenuation factor: >40 dB between 30 MHz and 1 GHz

PRODUCT CODE

L 17DTZK XX K XX T

RoHS Compliance	T: with threaded backshell, not self-tapering type
Series 17DTZK:180°	
Position:9,15,25,37	
Bulk Package	FM: Full steel metal screwlock Blank: plastic knob on screwlock

UNLESS OTHERWISE SPECIFIED TOLERANCES		APPROVAL		DATE
U.S.	METRIC	DRAWN	Sunny-Li	06/06/08
.X +/-	0.50	CHECKED	kk.wang	06/06/08
.XX +/-	0.30	CHECKED		
.XXX +/-	0.20			
FRACTIONS +/-				
ANGLES +/-	2'			
FOR MATERIALS AND FINISHES SEE NOTES		DRAWING FILE :		
REMOVE SHARP EDGES		ANGLE OF PROJECTION		
DIMENSIONS				
U.S.	INCHES			
METRIC	MM			

Amphenol®

TITLE  
Metal Hood DTZK series

SIZE DRAWING NO.  
A4 C L17D TZK XXK XX T

SCALE NONE SHEET 4 OF 4

REV. 1