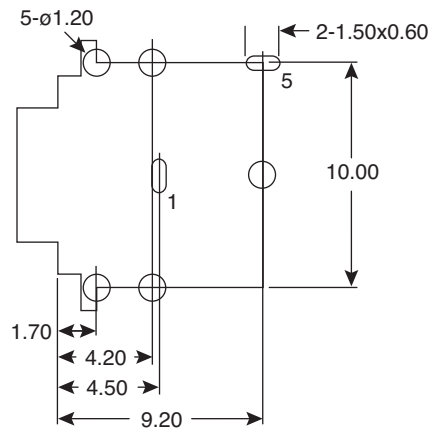
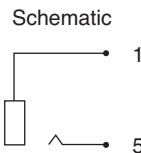
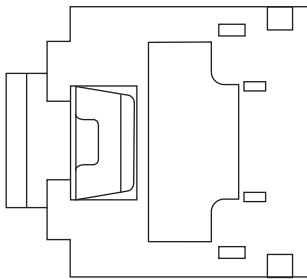
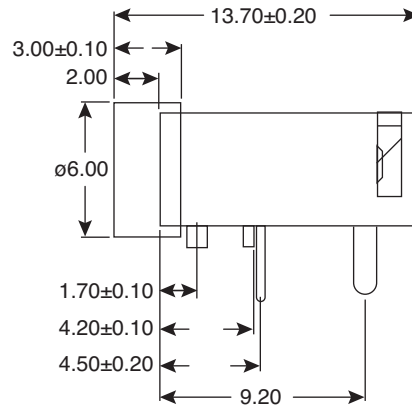
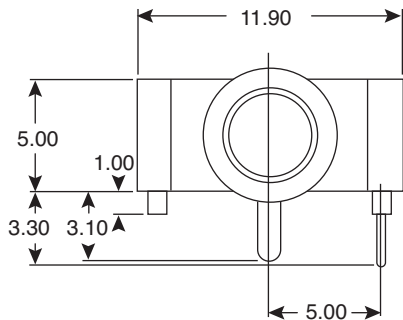


# Phone Jack 3.5mm Mono

161-3502L-E

**KOBI**CONN

Phone Jack 3.5mm Mono



Pin Hole Layout  
(Bottom View)

Dimensions: mm

## MATERIAL SPECIFICATIONS

<b>Housing:</b>	PBT, Black
<b>Barrel:</b>	Brass, Nickel Plated
<b>Tip Spring:</b>	0.25 TicutR1-M-EH, Silver Plated
<b>Earth Terminal</b>	0.25T Phosphor Bronze, Silver Plated
<b>RoHS Compliant</b>	

## ELECTRICAL SPECIFICATIONS

<b>Contact Resistance:</b>	30mΩ max.
<b>Insulation Resistance:</b>	100MΩ min. at DC 500V
<b>Withstanding Voltage:</b>	AC 500V for 1 min.

Date Last Revised: 12/15/08

Available from Mouser Electronics  
1-800-346-6873 / [www.mouser.com](http://www.mouser.com)

KC-301277

Specifications are subject to change without notice. No liability or warranty implied by this information. Environmental compliance based on producer documentation.

161-3502L-E