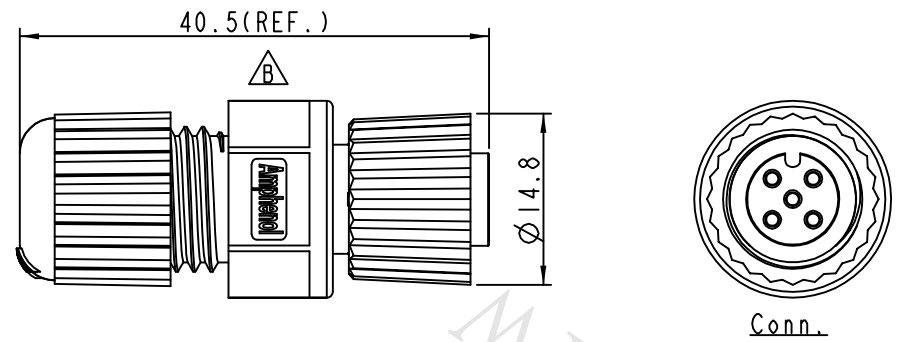
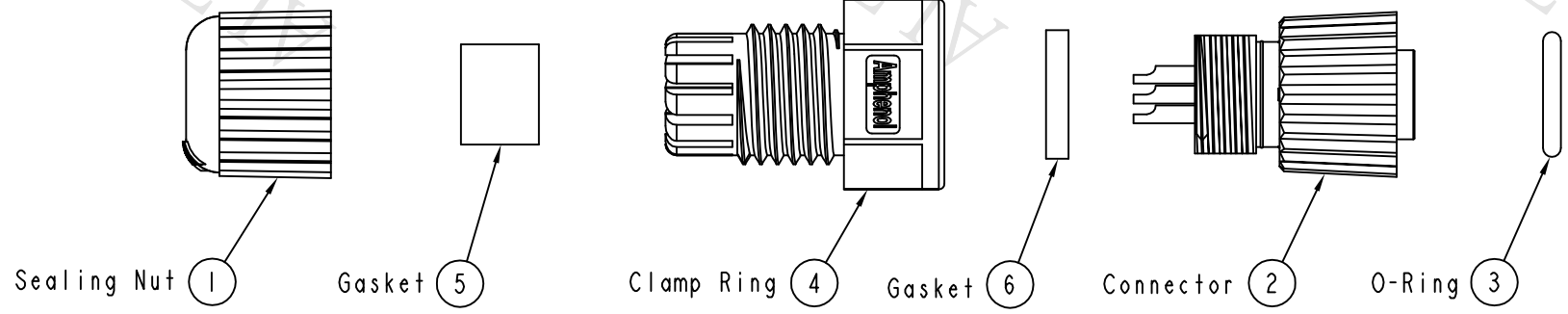


| REV. | ECN NO.    | DATE       | SIGN | DESCRIPTION |
|------|------------|------------|------|-------------|
| B    | LEN1480608 | 2014/08/12 | Rita | Update Logo |
|      |            |            |      |             |

ALTW  
CONFIDENTIAL  
2014-08-12  
R&D DEPT.

ALTW  
DCC. DEPT.  
CONFIDENTIAL  
2014.09.01  
ISSUED



- Note:
- \*  $\text{M}$  Important Dimension To Check.
  - \* Waterproof Rate: IP68
  - \* Housing: Black, Nylon+GF
  - \* Pin: Copper Alloy, Gold Plated
  - \* Nut: Black, Nylon+GF
  - \* Ring: Green, Viton
  - \* Gasket: Black, EPDM
  - \* Clamp Ring: Black, Nylon
  - \* Sealing Nut: Black, Nylon
  - \* Seal: Black, EPDM
  - \* Seal For Cable OD:  $\varnothing 4.5\text{mm} \sim \varnothing 6.5\text{mm}$

UNIT: mm

|           |               |
|-----------|---------------|
| TOLERANCE |               |
| .X        | $\pm 0.25$    |
| .XX       | $\pm 0.1$     |
| .XXX      | $\pm 0.05$    |
| ANGLES    | $\pm 1^\circ$ |

|  |         |                              |    |
|--|---------|------------------------------|----|
| TITLE<br>M12 Conn, Assy Screw 5Pin F Conn. F Pin |         |                              |    |
| SCALE  | SIZE    | SHEET                        | OF |
| 3:2  | A4      | 1                            | 1  |
| REV.   | WC-REV. | $\text{M}$ : Inspection item |    |
| B  | A.3     |                              |    |

**Amphenol LTW**  
安費諾亮泰企業股份有限公司

|                   |             |            |
|-------------------|-------------|------------|
| ITEM NO           | DRAWN BY    | DATE       |
| 12P-05BFFA-SL8001 | Rita        | 2014-08-12 |
| DWG NO            | CHECKED BY  | DATE       |
| 12P-05BFFA-SL8001 | Kris        | 2014-08-12 |
| CUSTOMER          | APPROVED BY | DATE       |
| ALTW              | Wenmao      | 2014-08-12 |

THIS DOCUMENT IS SUBJECT TO CHANGE WITHOUT NOTICE. IT IS CONFIDENTIAL AND A PROPERTY OF Amphenol LTW. DISCLOSURE TO THIRD PARTY HAS TO BE AUTHORIZED BY Amphenol LTW.