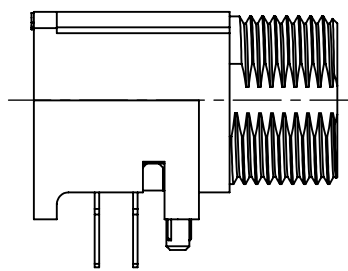




**THRU HOLE TERMINATION  
SINGLE ROW  
(3 & 4 PIN)**



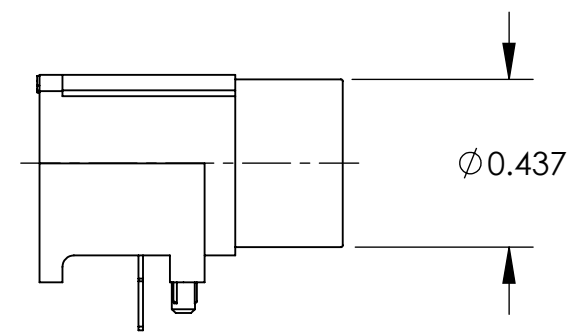
**THRU HOLE TERMINATION  
DOUBLE ROW  
(5, 6, 7, & 8 PIN)**



**SURFACE MOUNT TERMINATION  
SINGLE ROW  
(3 & 4 PIN)**



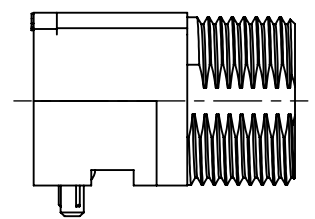
**SURFACE MOUNT TERMINATION  
DOUBLE ROW  
(5, 6, 7, & 8 PIN)**



**NO THREAD OPTION  
(SINGLE ROW THRU HOLE SHOWN)**



**SMALL PROFILE  
THRU HOLE TERMINATION**



**SMALL PROFILE  
SURFACE MOUNT TERMINATION**



**SMALL PROFILE  
NO THREAD OPTION  
(THRU HOLE SHOWN)**

**TRAPC3MS1T15X**

TINI QG

RIGHT ANGLE

TERMINATION

PC = THRU HOLE  
SM = SURFACE MOUNT

CONTACT CONFIGURATION

3 THRU 8

CONTACT GENDER

M = MALE

RoHS COMPLIANT

REEL SIZE

OPTIONAL PACKAGING

TR = TAPE AND REEL  
(STD PACKAGING - BULK)

OPTIONAL MODIFIER

1 = NO THREAD

OPTIONAL MODIFIER

S = SMALL PROFILE  
(AVAILABLE IN CONFIGURATIONS 3 & 4 ONLY)

- NOTES:  
1. THREADED CONNECTORS SUPPLIED WITH HEX NUT AND WASHER.  
2. MATERIALS:  
HOUSING - HIGH GRADE THERMOPLASTIC.  
CONTACTS AND TERMINALS - BRASS, TIN PLATED.  
NUT AND WASHER - BRASS, NICKEL PLATED.  
3. THIS PRODUCT IS RoHS COMPLIANT.

**CUSTOMER DRAWING**



**REAR VIEW  
(3 PIN - THRU HOLE SHOWN)**

REV	ECO NUMBER	DATE	BY	APVD
B	26682	5-19-11	TS	TJK
A	26066	7-8-06	TJK	TJK

☆ STAR SYMBOL DENOTES CRITICAL DIMENSION

- UNLESS OTHERWISE SPECIFIED  
1. ALL DIMENSIONS IN INCHES  
- TWO PLACE DECIMALS ±0.01  
- THREE PLACE DECIMALS ±0.005  
- ANGLES ±1°  
- ALL DIA. CONCENTRIC WITHIN 0.005 T.I.R.  
2. FEATURES ON THE SAME CENTERLINE MUST BE ALIGNED WITHIN ±0.002  
3. REMOVE ALL BURRS

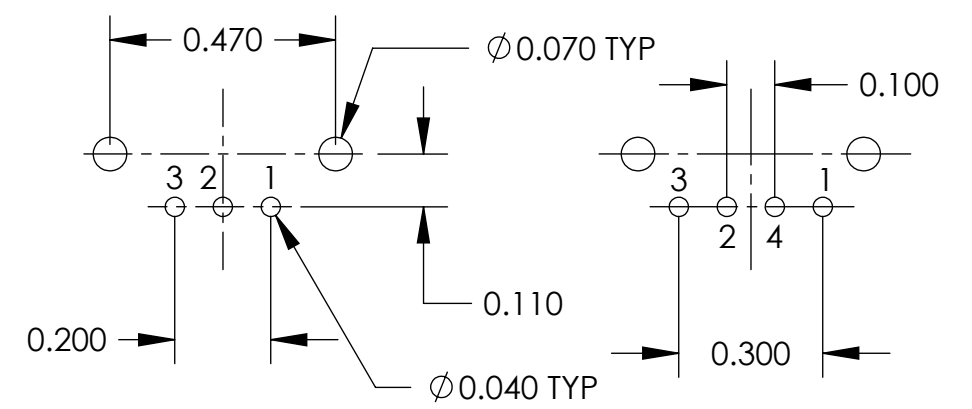
DO NOT SCALE DRAWING

THIS DRAWING DESCRIBES A DESIGN CONSIDERED PROPRIETARY IN NATURE, DEVELOPED AND MANUFACTURED BY SWITCHCRAFT INC. AND IS RELEASED ON A CONFIDENTIAL BASIS FOR IDENTIFICATION PURPOSES ONLY.

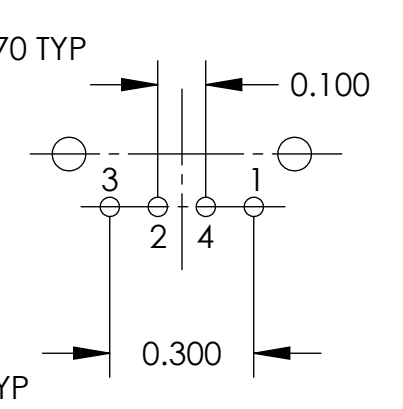
SIZE	WIDTH	MULT	LBS/M	TEMPER
FINISH		MATERIAL		
SPEC No.		SPEC No.		
FIRST USED ON		SCALE 2:1		
DATE DRAWN	BY	CHKD	APVD	Switchcraft®
6-9-08	TJK	TJK	TJK	
NAME				PART No.
TINI QG CONNECTOR				TRAPC_X - TRASM_X SERIES
RIGHT ANGLE, PIN CONTACT, RoHS				REV B



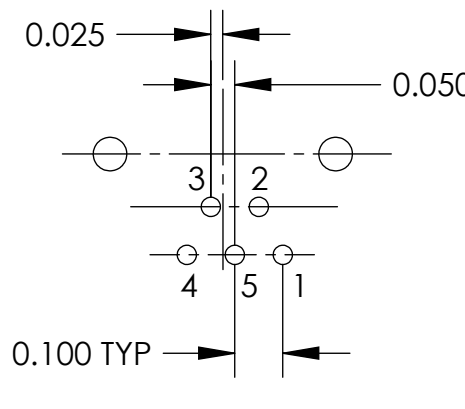
**CONTACT CONFIGURATIONS (FRONT VIEW)**



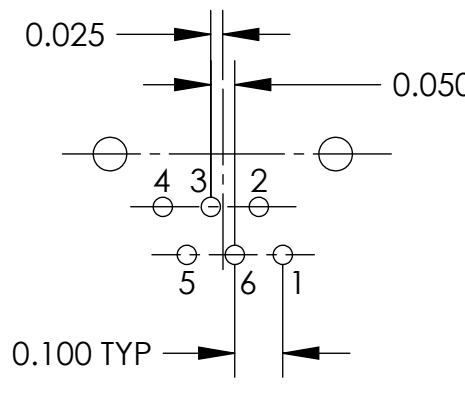
**(B) (3 PIN)  
THRU HOLE TERMINATION  
TRAPC3M1X  
TRAPC3MX**



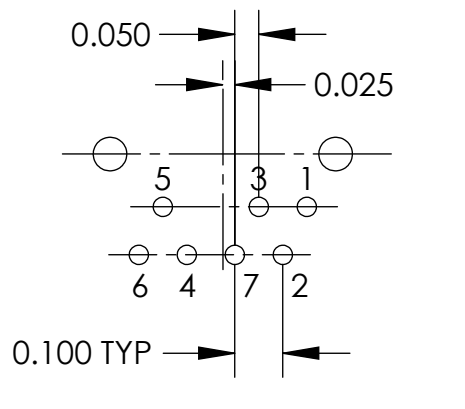
**(B) (4 PIN)  
THRU HOLE TERMINATION  
TRAPC4M1X  
TRAPC4MX**



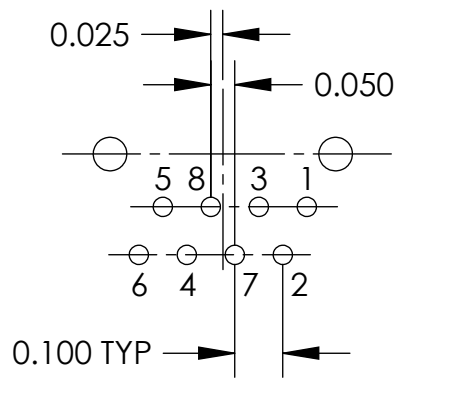
**(B) (5 PIN)  
THRU HOLE TERMINATION  
TRAPC5M1X  
TRAPC5MX**



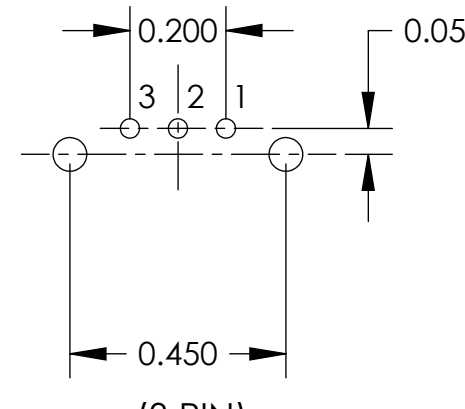
**(B) (6 PIN)  
THRU HOLE TERMINATION  
TRAPC6M1X  
TRAPC6MX**



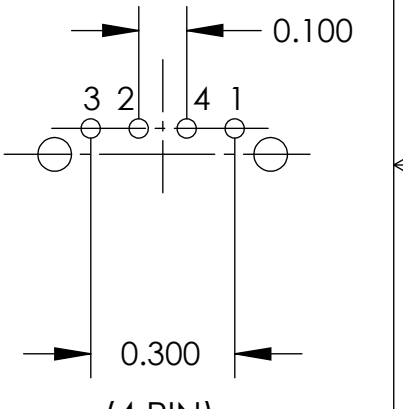
**(B) (7 PIN)  
THRU HOLE TERMINATION  
TRAPC7M1X  
TRAPC7MX**



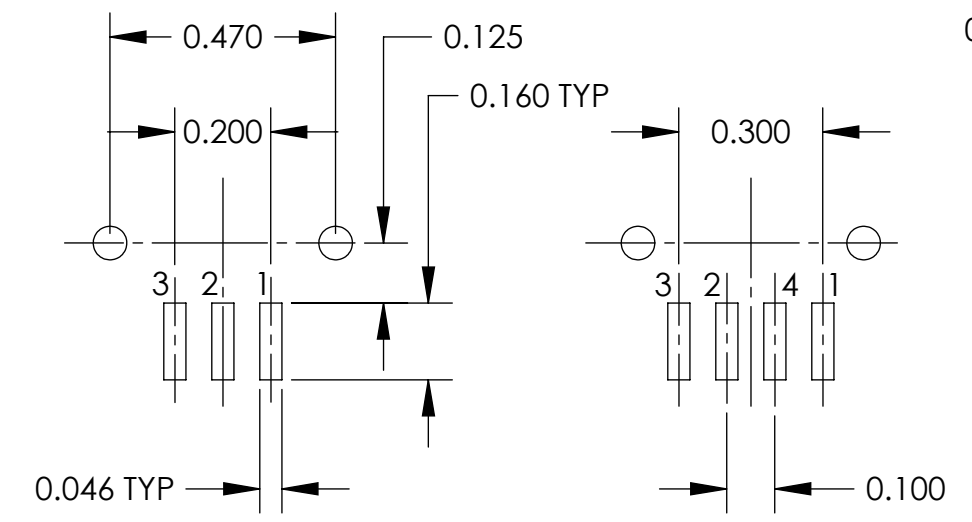
**(B) (8 PIN)  
THRU HOLE TERMINATION  
TRAPC8M1X  
TRAPC8MX**



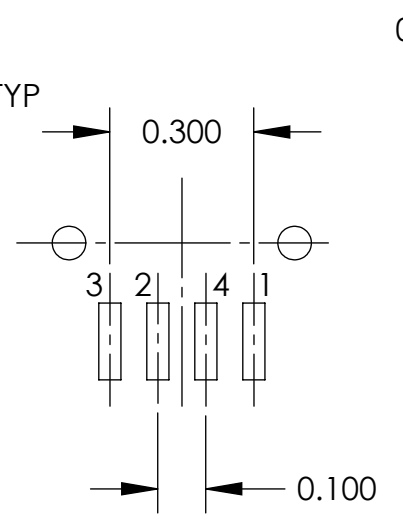
**(B) (3 PIN)  
SMALL PROFILE  
THRU HOLE TERMINATION  
TRAPC3MS1X  
TRAPC3MSX**



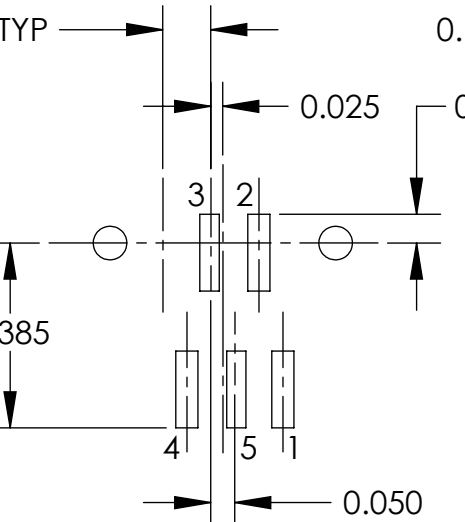
**(B) (4 PIN)  
SMALL PROFILE  
THRU HOLE TERMINATION  
TRAPC4MS1X  
TRAPC4MSX**



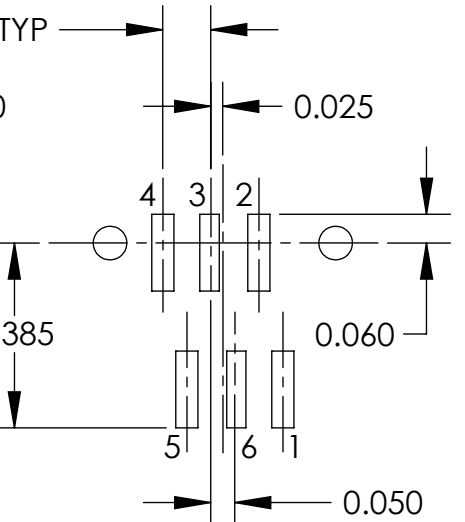
**(B) (3 PIN)  
SURFACE MOUNT  
TRASM3M1X  
TRASM3MX**



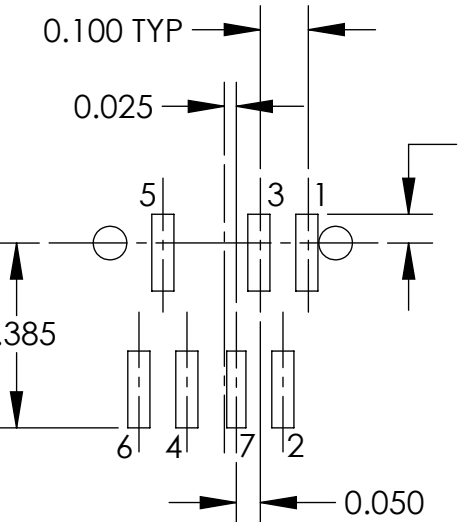
**(B) (4 PIN)  
SURFACE MOUNT  
TRASM4M1X  
TRASM4MX**



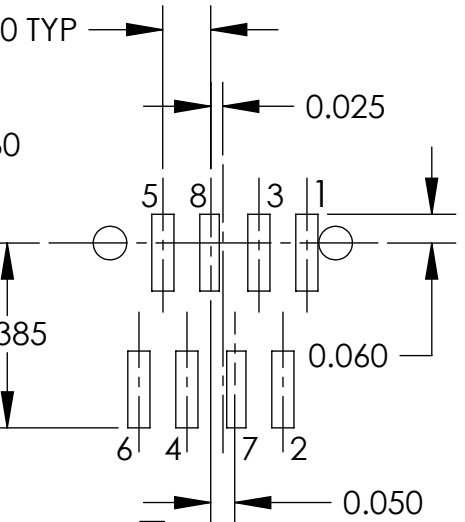
**(B) (5 PIN)  
SURFACE MOUNT  
TRASM5M1X  
TRASM5MX**



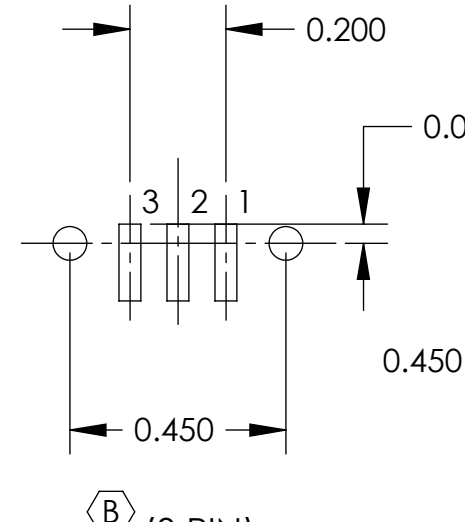
**(B) (6 PIN)  
SURFACE MOUNT  
TRASM6M1X  
TRASM6MX**



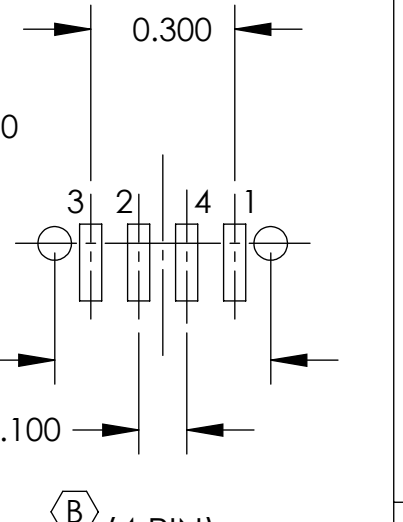
**(B) (7 PIN)  
SURFACE MOUNT  
TRASM7M1X  
TRASM7MX**



**(B) (8 PIN)  
SURFACE MOUNT  
TRASM8M1X  
TRASM8MX**



**(B) (3 PIN)  
SMALL PROFILE  
SURFACE MOUNT  
TRASM3MS1X  
TRASM3MSX**



**(B) (4 PIN)  
SMALL PROFILE  
SURFACE MOUNT  
TRASM3MS1X  
TRASM3MSX**

**RECOMMENDED PC BOARD LAYOUTS**

SCALE 1:0.4	<b>Switchcraft</b> <sup>®</sup>	
DATE DRAWN 6-9-08		
DRAWN BY TJK	PART No. TRAPC_X - TRASM_X SERIES	REV B