

t	∅
1,6	4,4 $+0,05$ $-0,04$
2	4,4 $+0,05$ $-0,04$

A

2

3

4

5

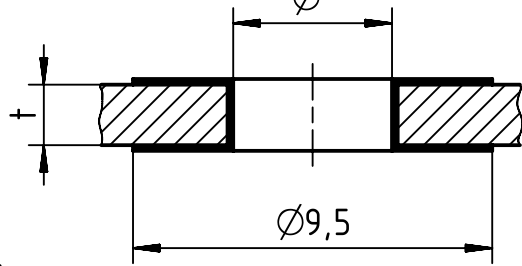
6

(5:1)

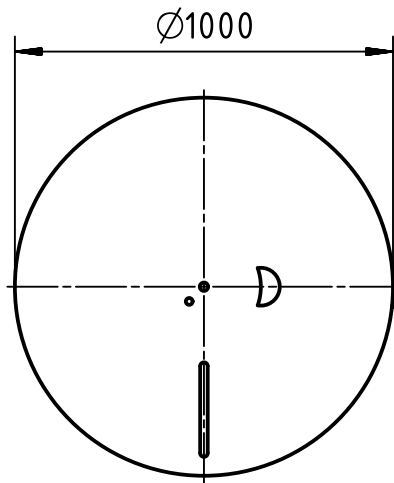
PCB lay-out

finished hole

B

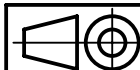
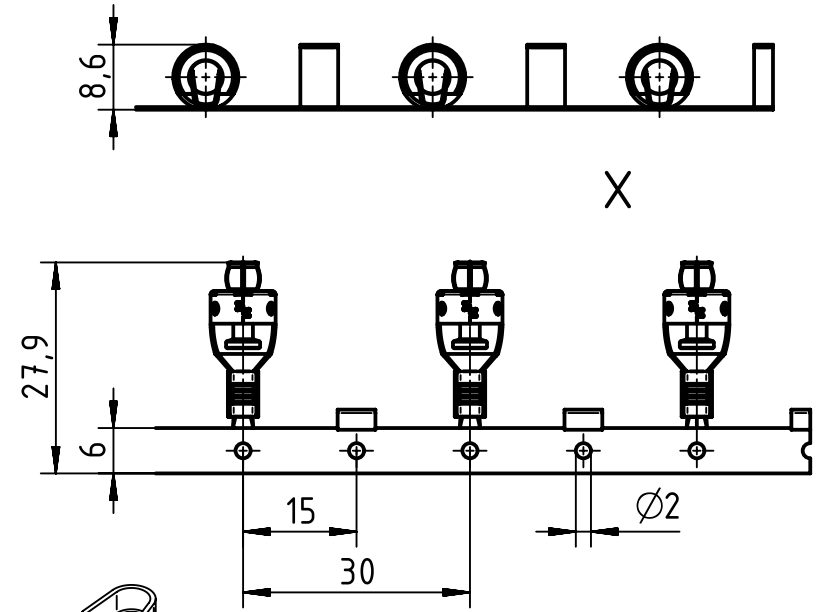
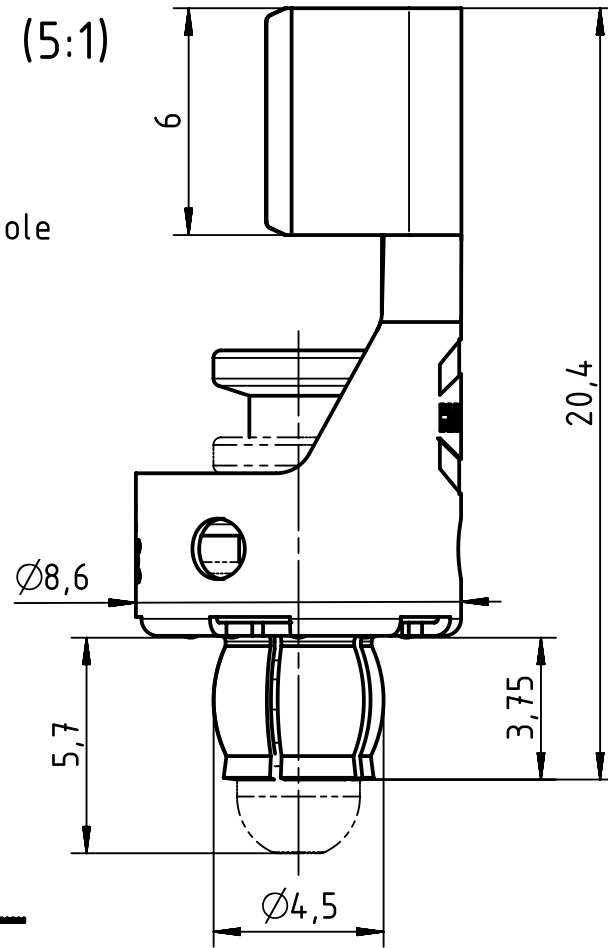


C



(1:20)

D

All Dimensions in mm
Original Size DIN A4Scale
1:1

Free size tol.

Ref.

Sub.



All rights reserved

Department EL PD - DE

Created by
RULLKOETTERInspected by
SCHNIEDERStandardisation
TIEMANNADate
2014-01-14State
Final ReleaseTitle
Han-Fast Lock 4-6mm² w. Pin Ag 2300pcs.Doc-Key / ECM-Nr.
100230953/UGD/002/B
500000070361HARTING Electric GmbH & Co. KG
D-32339 EspelkampType
TBNumber
09 08 000 6123Rev.
BPage
1/1