

ITM-5112

12" SVGA Industrial LED Monitor with Full-Flat Resistive Touchscreen

NEW



Features

- 12.1" SVGA LED backlight panel provides 20 ~ 30% power savings
- -20 ~ +60°C wide range operating temperature
- Easy-clean 5-wire resistive plane touch
- Combo RS-232 & USB interface for touchscreen function
- VGA & DVI interface
- Simple, elegant design with IP54 front panel protection
- Peripheral connectors in frame rail design
- Supports panel, wall, desktop, and swing-arm VESA mounting



Introduction

ITM-5112 is a 12" LED TFT-LCD touchscreen monitor specifically designed for industrial applications. It's a stable, rugged display with VGA & DVI interface. The simple, yet elegant flat plane design provides for easy cleaning, and the Box PC-plus-monitor option offers added flexibility.

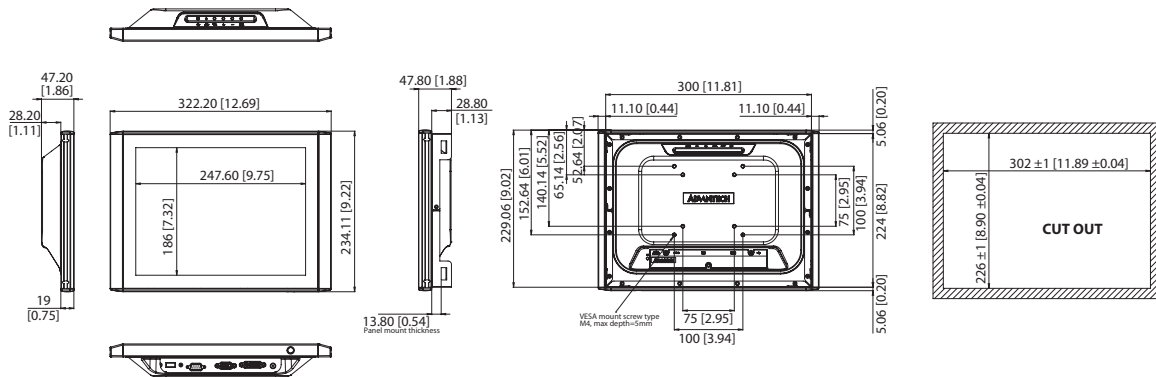
Specifications

Display	Size	12.1" LED backlight panel
	Resolution	800 x 600 (SVGA)
	Viewing Angle	-80°~80°(H), -60°~80°(V)
	Brightness	450 (cd/m ²)
	Color Support	16.7M / 262K colors
	Contrast Ratio	800
	Response Time	12 [msec]
	Lamp Life (hrs)	60,000 hrs
Touchscreen	Touchscreen Type	5-Wire resistive touch window
	Surface Hardness	3H
	Durability	10 million touches
Environment	Operating Temperature	-20 ~ 60°C (-4 ~ 140°F)
	Storage Temperature	-30 ~ 70°C (-22 ~ 158°F)
	Humidity	5 ~ 95% @ 40°C, non-condensing
	Shock	10G peak acceleration (11 ms duration)
	Front panel	IP54
System	I/O	M series VGA x 1; DVI-D x 1; 12 V _{DC} Jack x 1; USB x1; RS-232 x 1 (USB & RS-232 are reserved for the connection to enable touch usage only)
	OSD	M series Keys: Menu, Up, Down, Enter, Monitor Power on/off Menu Functions: Brightness, Volume, Contrast, Clock Phase, Horizontal Position, Vertical Position, Sharpness
	Power	60 W power adapter, with AC 100 ~ 240 V input and DC +12 V @ 5 A output
	EMC Compliance	CE/FCC/CCC/BSMI
	Safety	CB/UL/CCC/BSMI

Dimensions

Unit: mm [inches]

M Series



Packing List

Part Number	Description
1700091800	*1 x D-SUB 9P(M)/D-SUB 9P(F) 1.8 meter
1962055040	8 x panel-mount clamper
1930002205	8 x panel-mount clamper screw M4_30L
1700021332-01	*1 x VGA cable 15P(M) 1.8 meter
1960051804N001	1 x cable clamp
-	1 x CD-ROM for ITM series

*VGA/D-SUB cables are only included in ITM-5112R M series.

Note: Package contents are subject to change without prior notice

Optional Items

Part Number	Description
1702002600	Power cord 3P (USA)
1700000596	Power cord 3P (China)
1700018705	Power cord 3P (EU)
96STANDKIT-ITM	Stand kit
1757003934	Adapter AC100-240V 60W +12V/5A DPS-60PB A
1700000243	DVI cable 2.0 meter
1700002215	USB-A(M)/USB-A(M) 1.8 meter

Ordering Information

Model Name	Description
ITM-5112R-MA1E	12" SVGA LED Full-Flat Touch Monitor
ITM-5112R-CA1E	12" Industrial Touch Computer with Intel Atom D525 Dual Core 1.8 GHz Processor