

# Dialight

## 585 Series Multi-Chip BASED LED T 1 3/4 Wedge

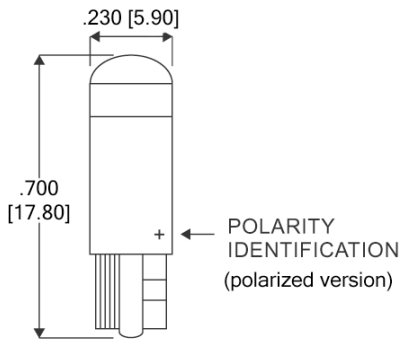


### FEATURES / BENEFITS

- ▲ Low current draw - uses up to 90% less energy than incandescent
- ▲ Long Life - up to 100K hours
- ▲ True non-polarized configurations available
- ▲ No heat generated
- ▲ Mounts directly into industry standard socket
- ▲ Available in 6, 14, and 28 VDC

Dialight's line of based LED lamps is designed to directly replace many popular subminiature and miniature incandescent lamps. The benefits of LED technology over incandescent are significant: They offer long life, are shock resistant, withstand vibration and provide energy conservation.

### SPECIFICATIONS



Measurements are typical

Dimensions are inches [mm]

- ▲ Operating Voltages: 6, 14, and 28 VDC
- ▲ Polarized and non-polarized available
- ▲ Operating temperature: -20°C to +60°C
- ▲ Storage temperature: -30°C to +100°C
- ▲ Replaces incandescent lamp numbers: 16, 17, 18, 37, 70, 73, 74, 79, 84, 85 and 86.\*

\* See Dialight's Incandescent lamp/based LED cross reference for a complete listing.

### CONSIDERATIONS

- ▲ Since lens caps act as filters for the light emitted from the based LED, it is important to match the emitting color of the LED. If not matched properly, the overall light output may be substantially reduced. Dialight recommends using transparent lenses, which will optimize the light output.
- ▲ If you are unfamiliar with the polarity of the circuit, Dialight recommends using the non-polarized version.
- ▲ Although these lamps can be operated at a lower voltage, which will increase the life, the intensity will be reduced.
- ▲ Operation of the based LED at a higher voltage should not exceed 10% above the recommended voltage.
- ▲ Dialight does not recommend that based LED lamps be used in neon sockets.

Dialight reserves the right to make changes at any time in order to supply the best product possible.



### Dialight Corporation

1501 Route 34 South • Farmingdale, NJ 07727 USA

Tel: (1) 732-919-3119 • Fax: (1) 732-751-5778 • www.dialight.com

  
a Roxboro Group Company

MDEL585WG001\_B

**POLARIZED**

| Part Number | Color  | Peak Wavelength (nm) | Nominal Voltage (VDC) | Forward Current TYP. (mA) | Intensity TYP. (mcd) |
|-------------|--------|----------------------|-----------------------|---------------------------|----------------------|
| 585-2211    | Red    | 660                  | 6                     | 50                        | 67                   |
| 585-2311    | Green  | 565                  | 6                     | 46                        | 77                   |
| 585-2411    | Yellow | 585                  | 6                     | 44                        | 22                   |
| 585-2213    | Red    | 660                  | 14                    | 30                        | 60                   |
| 585-2313    | Green  | 565                  | 14                    | 28                        | 70                   |
| 585-2413    | Yellow | 585                  | 14                    | 30                        | 23                   |
| 585-2215    | Red    | 660                  | 28                    | 16                        | 64                   |
| 585-2315    | Green  | 565                  | 28                    | 15                        | 75                   |
| 585-2415    | Yellow | 585                  | 28                    | 15                        | 23                   |

**NON-POLARIZED**

| Part Number | Color  | Peak Wavelength (nm) | Nominal Voltage (VDC) | Forward Current TYP. (mA) | Intensity TYP. (mcd) |
|-------------|--------|----------------------|-----------------------|---------------------------|----------------------|
| 585-2221    | Red    | 660                  | 6                     | 75                        | 50                   |
| 585-2321    | Green  | 565                  | 6                     | 67                        | 56                   |
| 585-2421    | Yellow | 585                  | 6                     | 73                        | 18                   |
| 585-2223    | Red    | 660                  | 14                    | 26                        | 50                   |
| 585-2323    | Green  | 565                  | 14                    | 23                        | 56                   |
| 585-2423    | Yellow | 585                  | 14                    | 24                        | 18                   |
| 585-2225    | Red    | 660                  | 28                    | 14                        | 56                   |
| 585-2325    | Green  | 565                  | 28                    | 13                        | 65                   |
| 585-2425    | Yellow | 585                  | 28                    | 13                        | 20                   |

**Based LEDs SELECTION**

With the technological advancements in Light Emitting Diodes (LEDs) brightness can now rival the incandescent lamp when used in similar packages. These advancements have created a new type of product called the based LED - an LED with the functionality of an incandescent bulb.

The following styles are currently available in red, green, yellow, blue and white:

- ▲ T 1 3/4 Midjet Flange      ▲ T 1 3/4 Bi-Pin      ▲ T 1 3/4 Wedge (T5)      ▲ T 2 Telephone Slide
- ▲ T 3 1/4 Miniature Bayonet (BA9s)      ▲ T 3 1/4 Miniature Screw (E10)      ▲ T 3 1/4 Wedge (T10)      ▲ 15mm SC Bayonet (BA15s)

Dialight's line of based LEDs continues to grow. Please visit our website for more information.  
[www.dialight.com](http://www.dialight.com)

Dialight reserves the right to make changes at any time in order to supply the best product possible.

**Dialight Corporation**

1501 Route 34 South • Farmingdale, NJ 07727 USA

Tel: (1) 732-919-3119 • Fax: (1) 732-751-5778 • [www.dialight.com](http://www.dialight.com)

