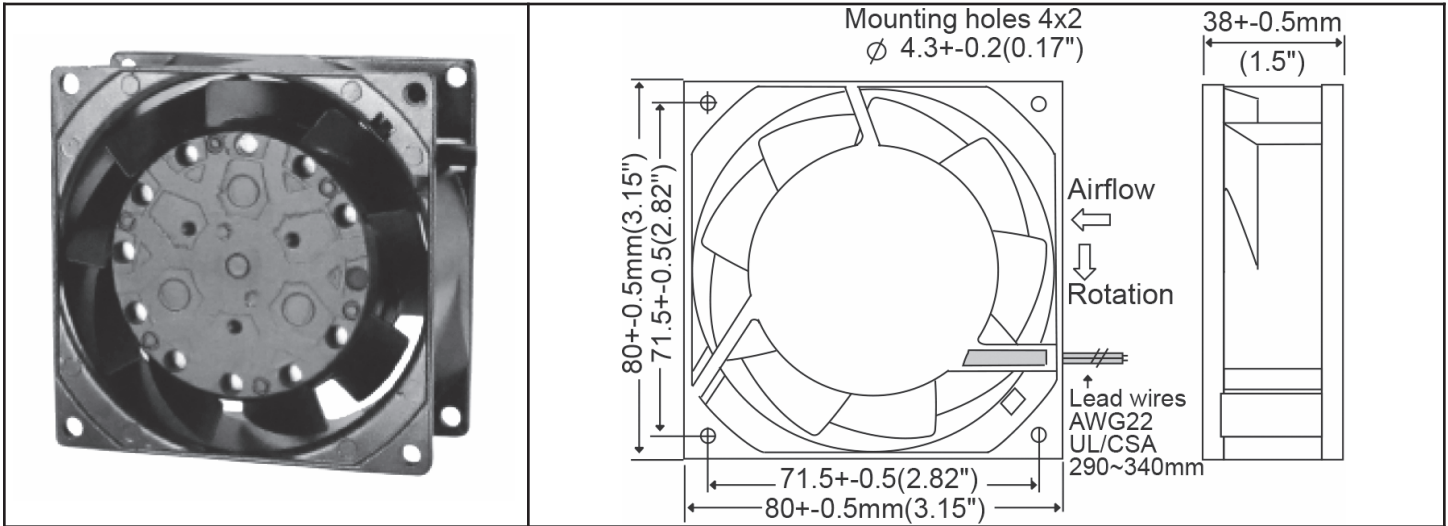


OA80 Series - All Metal



AC Fan - 115V, 230V
80 x 38mm (3.15" x 1.5")



| | | | |
|------------------------------|--|--|--|
| Frame | Diecast Aluminum | Operating Temperature Ball Bearing -30C ~ +80C (non-condensing) Storage Temp -40C ~ +100C Life Expectancy Ball Bearing 50,000 hours (L10 at 55C) Environmental Protection IP55 Weight: ~ 0.95 lbs m0 | |
| Impeller | Metal Alloy | | |
| Connection | 2x Lead Wires 22 AWG or terminals | | |
| Motor | Shaded pole, impedance protected | | |
| Bearing System | Dual ball bearing | | |
| Insulation Resistance | >100M ohm between lead-wire and frame (500VDC) | | |
| Dielectric Strength | 1 min at 1500 VAC, 50/60Hz | | |

| Model Number | Speed (RPM) | Airflow (CFM) | Noise (dB) | Volts AC | Voltage Range | Watts | Max. Static Pressure ("H ₂ O) | Curves |
|--------------------|--------------|---------------|------------|----------|---------------|----------|--|----------------------|
| OA80AP-11-1 * 1855 | 2750 3200 | 28 33 | 35 | 115 | 100~120 | 15 13 | 0.22 | 2 (50Hz) 1 (60Hz) |
| OA80AP-11-2 * 1855 | 2200 2500 | 23 26 | 30 | 115 | 100~120 | 12 10 | 0.16 | 4 (50Hz) 3 (60Hz) |
| OA80AP-11-3 * 1855 | 1700 1900 | 18 21 | 23 | 115 | 100~120 | 8 6 | 0.07 | 6 (50Hz) 5 (60Hz) |
| OA80AP-22-1 * 1855 | 2750 3200 | 28 33 | 35 | 230 | 200~240 | 15 13 | 0.22 | 2 (50Hz) 1 (60Hz) |
| OA80AP-22-2 * 1855 | 2200 2500 | 23 26 | 30 | 230 | 200~240 | 12 10 | 0.16 | 4 (50Hz) 3 (60Hz) |
| OA80AP-22-3 * 1855 | 1700 1900 | 18 21 | 23 | 230 | 200~240 | 8 6 | 0.07 | 6 (50Hz) 5 (60Hz) |

* Indicate "TB" for terminal type or "WB" for lead wires