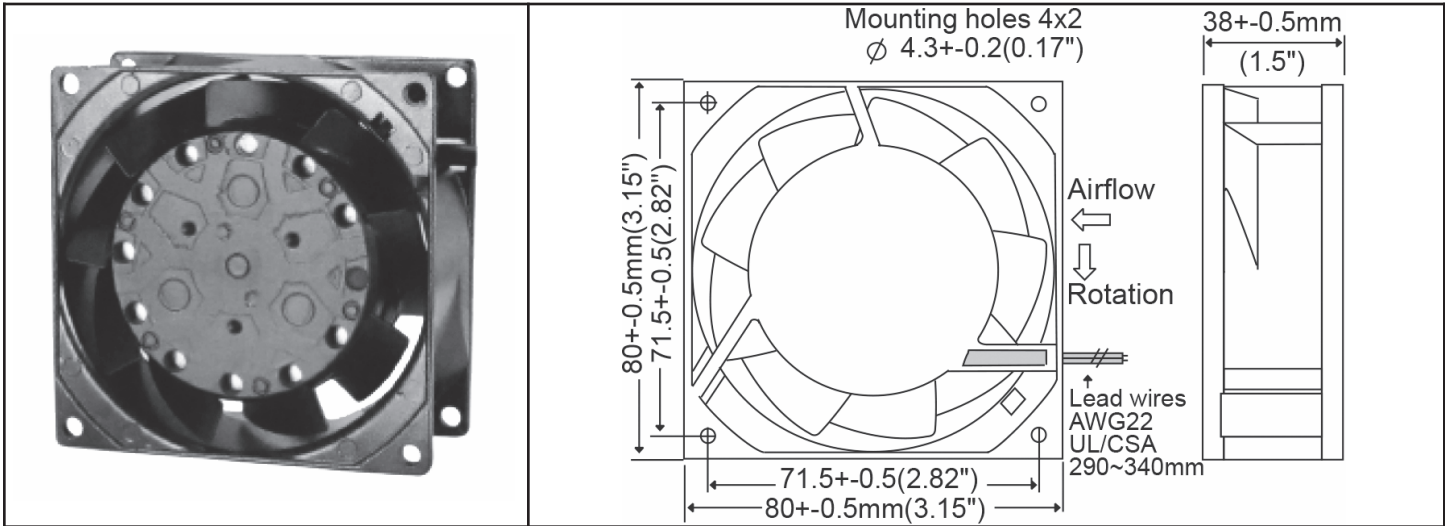


OA80 Series - All Metal



AC Fan - 115V, 230V
80 x 38mm (3.15" x 1.5")



Frame	Diecast Aluminum	<u>Operating Temperature</u> Ball Bearing -30C ~ +80C (non-condensing) Storage Temp -40C ~ +100C <u>Life Expectancy</u> Ball Bearing 50,000 hours (L10 at 55C) Environmental Protection IP55 Weight: ~ 0.95 lbs m0	
Impeller	Metal Alloy		
Connection	2x Lead Wires 22 AWG or terminals		
Motor	Shaded pole, impedance protected		
Bearing System	Dual ball bearing		
Insulation Resistance	>100M ohm between lead-wire and frame (500VDC)		
Dielectric Strength	1 min at 1500 VAC, 50/60Hz		

Model Number	Speed (RPM)	Airflow (CFM)	Noise (dB)	Volts AC	Voltage Range	Watts	Max. Static Pressure ("H ₂ O)	Curves
OA80AP-11-1 * 1855	2750 3200	28 33	35	115	100~120	15 13	0.22	2 (50Hz) 1 (60Hz)
OA80AP-11-2 * 1855	2200 2500	23 26	30	115	100~120	12 10	0.16	4 (50Hz) 3 (60Hz)
OA80AP-11-3 * 1855	1700 1900	18 21	23	115	100~120	8 6	0.07	6 (50Hz) 5 (60Hz)
OA80AP-22-1 * 1855	2750 3200	28 33	35	230	200~240	15 13	0.22	2 (50Hz) 1 (60Hz)
OA80AP-22-2 * 1855	2200 2500	23 26	30	230	200~240	12 10	0.16	4 (50Hz) 3 (60Hz)
OA80AP-22-3 * 1855	1700 1900	18 21	23	230	200~240	8 6	0.07	6 (50Hz) 5 (60Hz)

* Indicate "TB" for terminal type or "WB" for lead wires