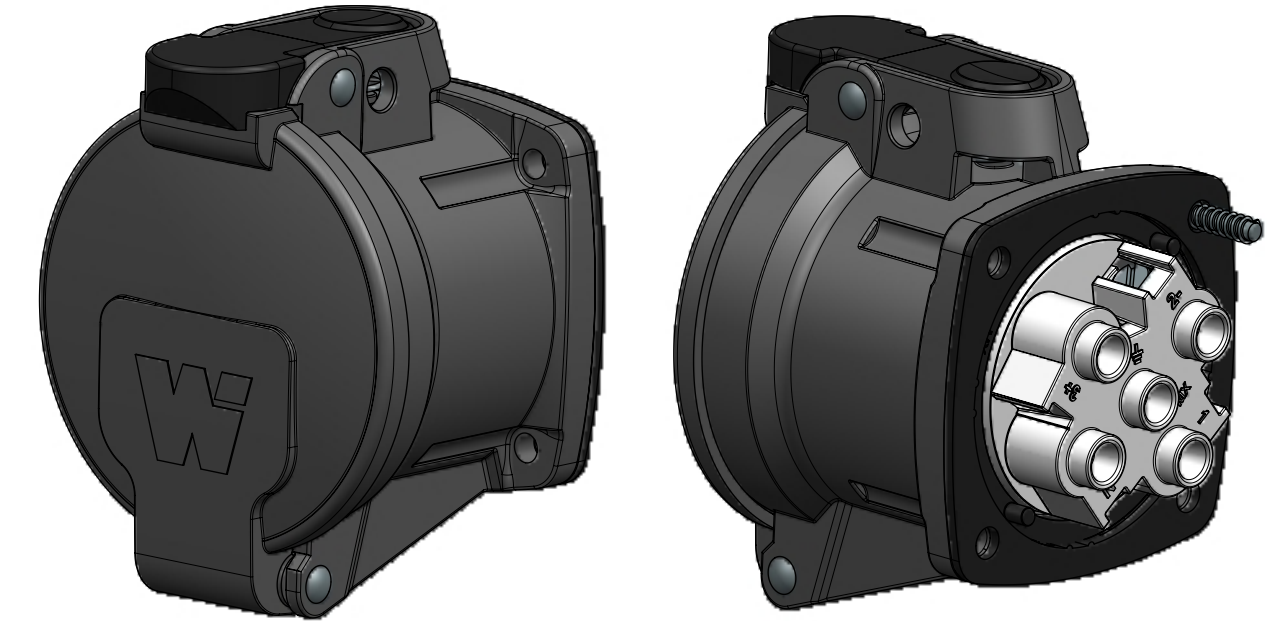
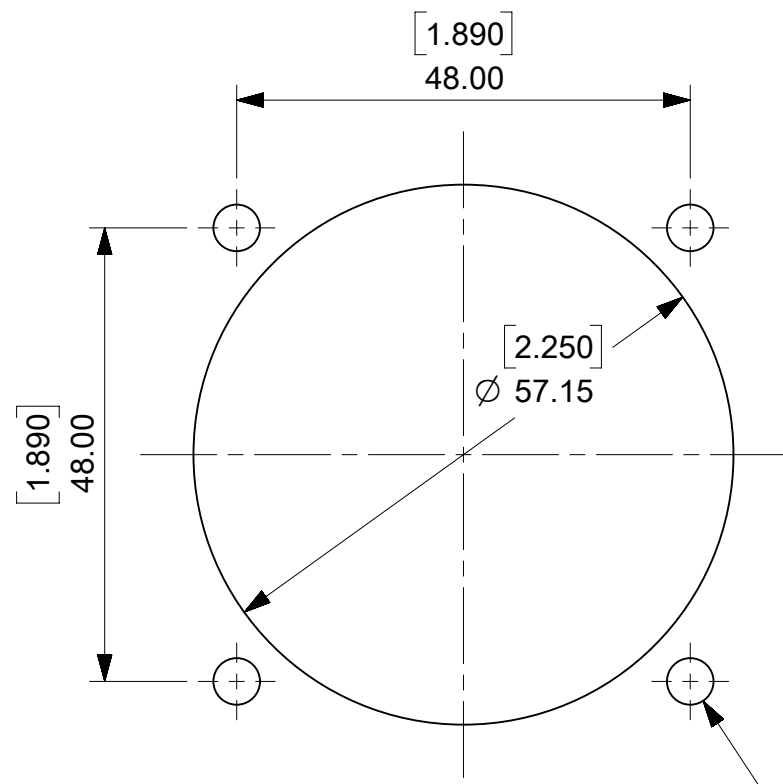


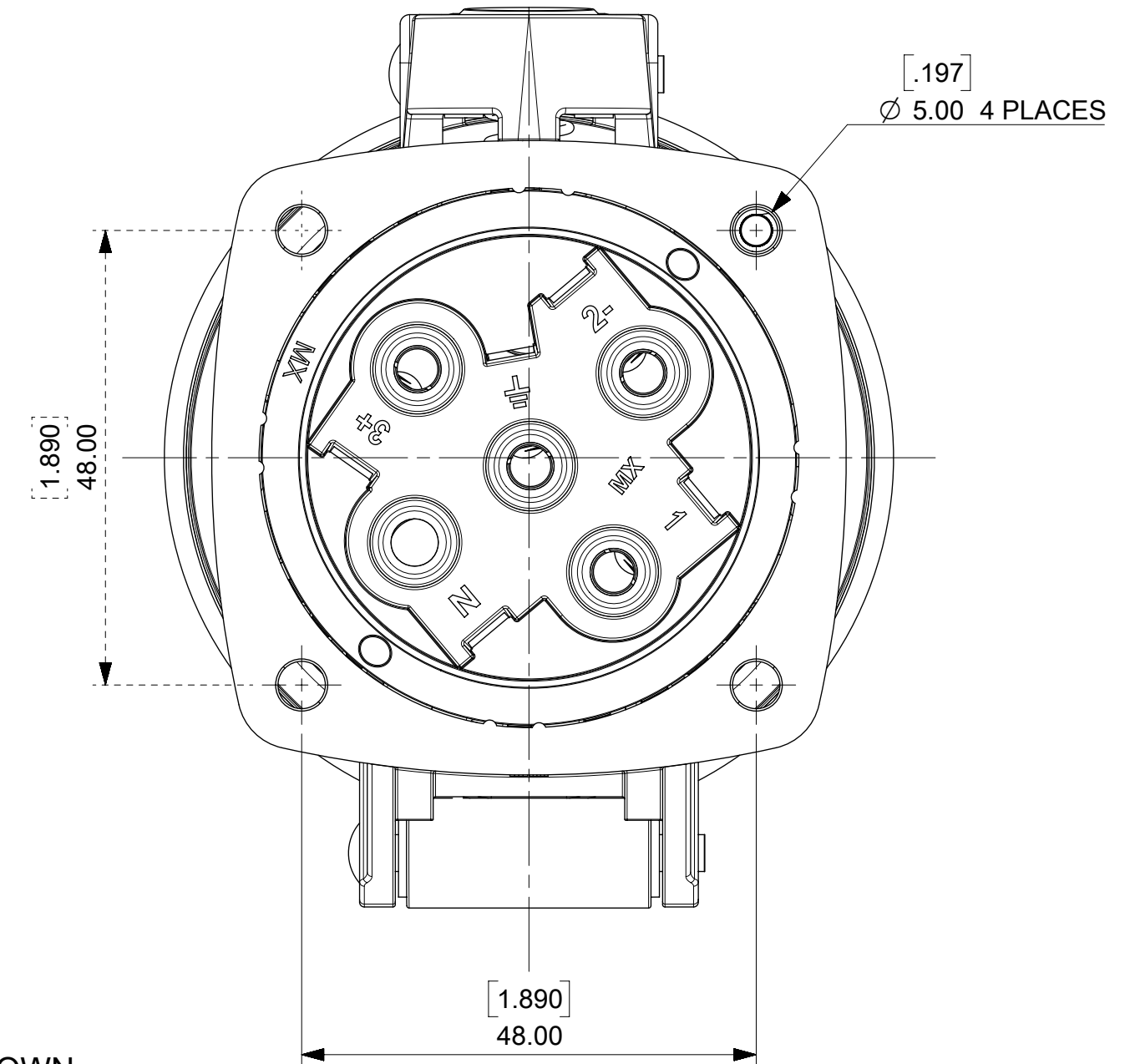
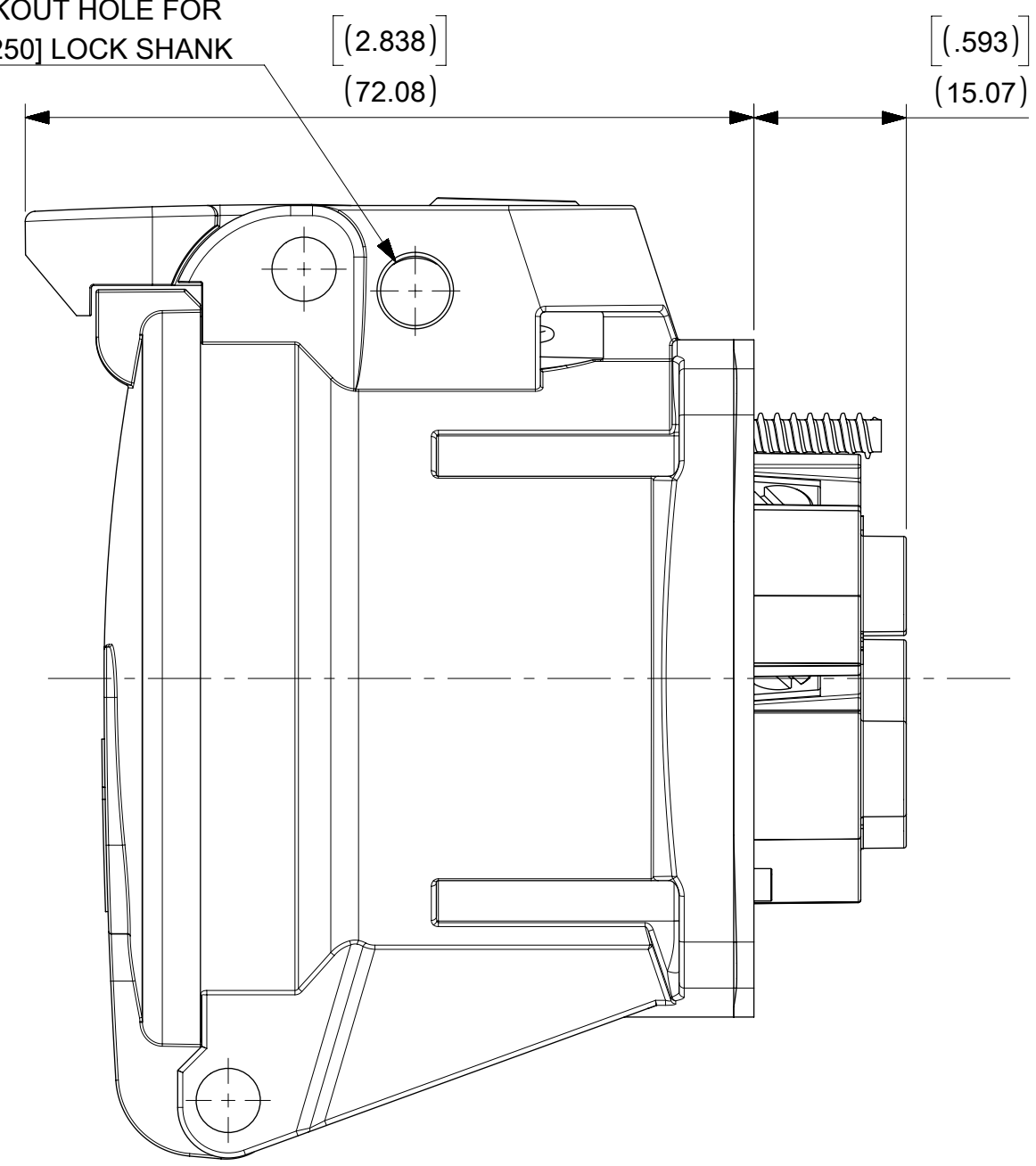
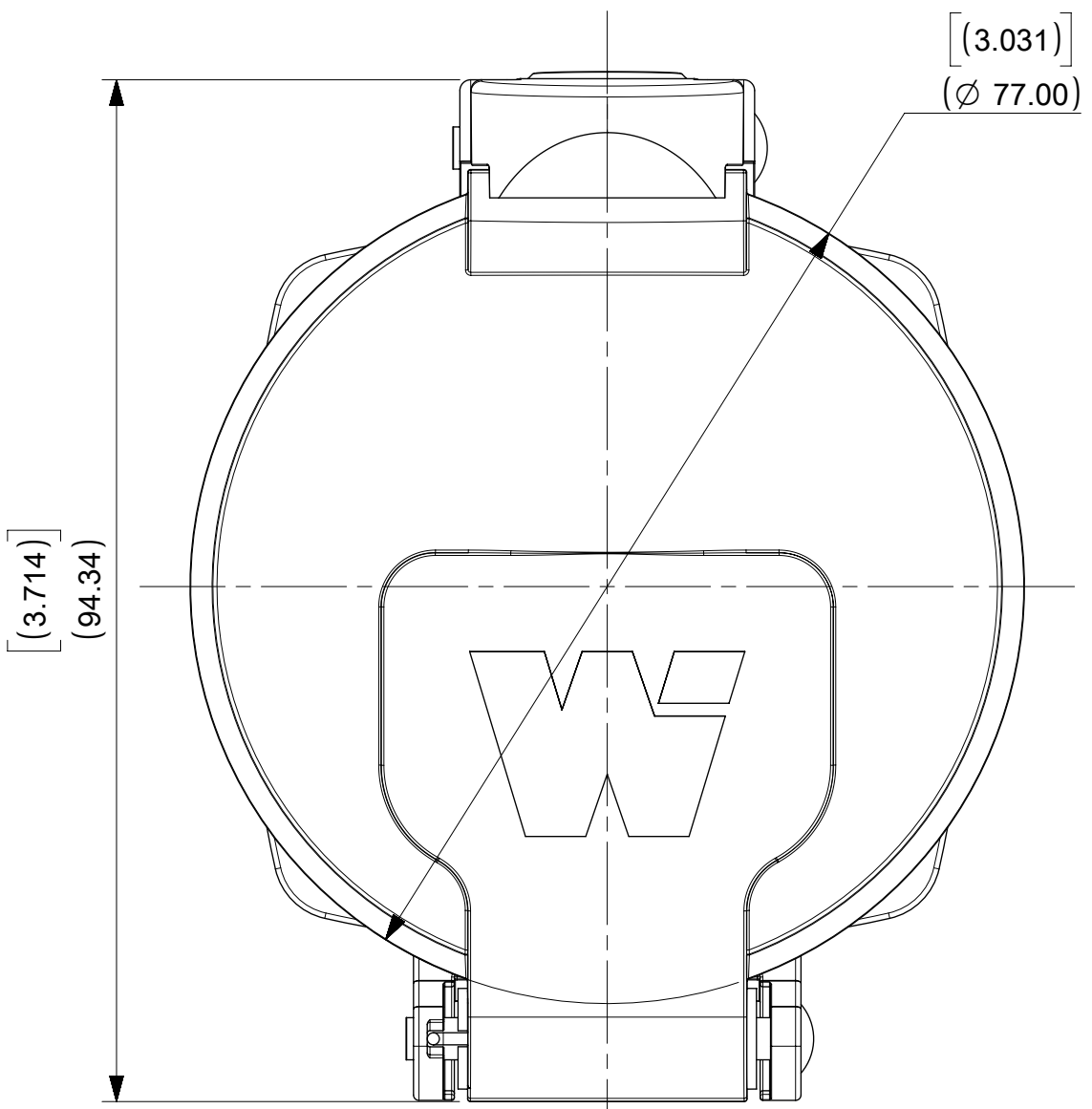
MATERIAL NUMBER	ENGINEERING NUMBER	DESCRIPTION	INSULATOR KEYING POSITION	HORSEPOWER RATING
1122190001	ARC30FA01	ARC 30A F 125VAC 1P+N+G	7	1 HP
1122190002	ARC30FB02	ARC 30A F 250VAC 2P+G		3 HP
1122190003	ARC30FB03	ARC 30A F 250VAC 3P+G		5 HP
1122190004	ARC30FAB04	ARC 30A F 125/250VAC 2P+N+G	16	NA
1122190005	ARC30FC02	ARC 30A F 208VAC 2P+G		NA
1122190006	ARC30FC03	ARC 30A F 208VAC 3P+G		5 HP
1122190007	ARC30FAC05	ARC 30A F 120/208VAC 3P+N+G	4	NA
1122190008	ARC30FD01	ARC 30A F 277VAC 1P+N+G		NA
1122190009	ARC30FE02	ARC 30A F 480VAC 2P+G		NA
1122190010	ARC30FE03	ARC 30A F 480VAC 3P+G	14	10 HP
1122190011	ARC30FDE05	ARC 30A F 277/480VAC 3P+N+G		NA
1122190012	ARC30FF02	ARC 30A F 600VAC 2P+G		NA
1122190013	ARC30FF03	ARC 30A F 600VAC 3P+G	14	NA
1122190014	ARC30FGF05	ARC 30A F 347/600VAC 3P+N+G		NA



[.194]  
Ø 4.93  
CLEARANCE FOR 8-32 FASTENER

MOUNTING PATTERN

[.270]  
Ø 6.86 LOCKOUT HOLE FOR  
Ø 6.35MM [0.250] LOCK SHANK

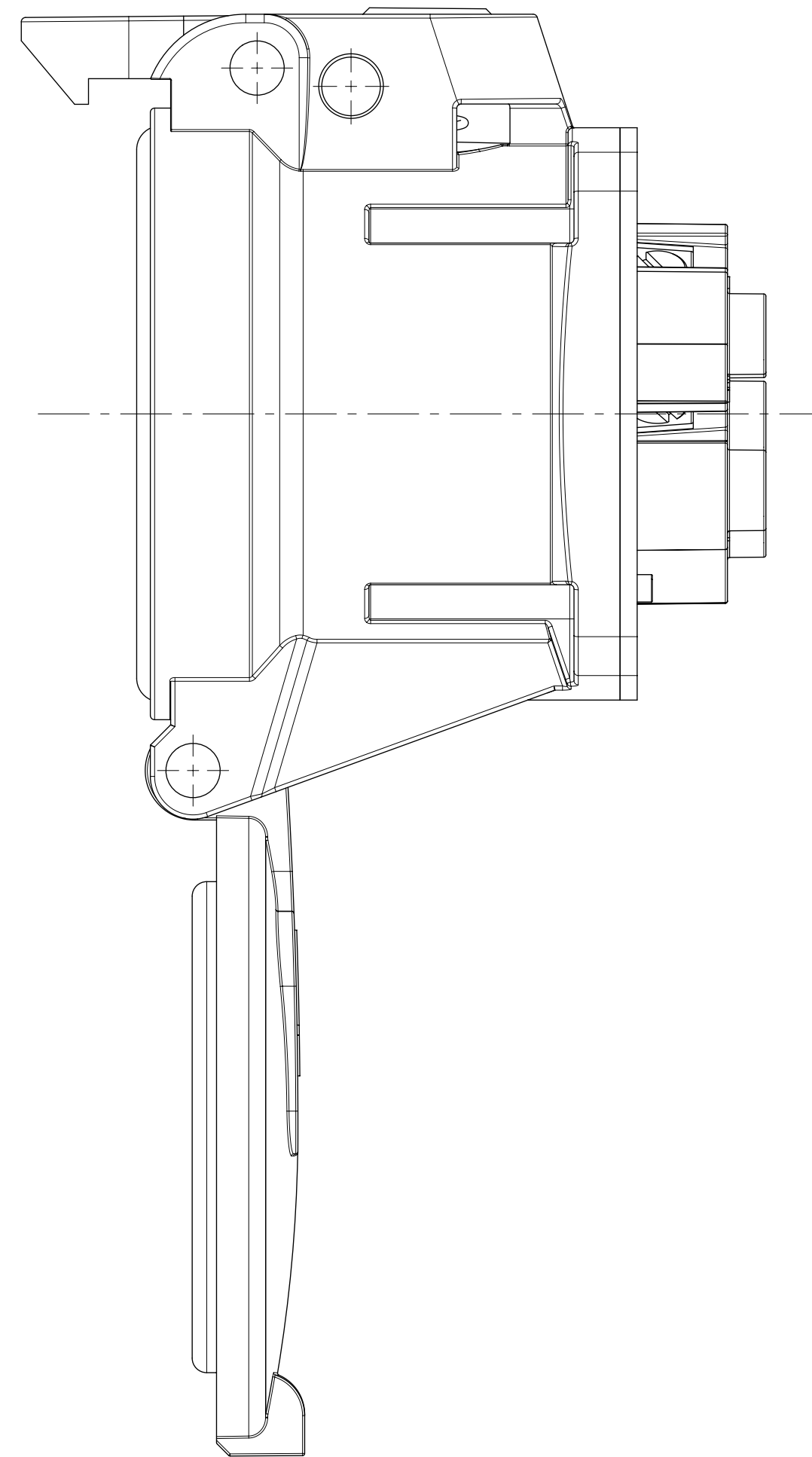
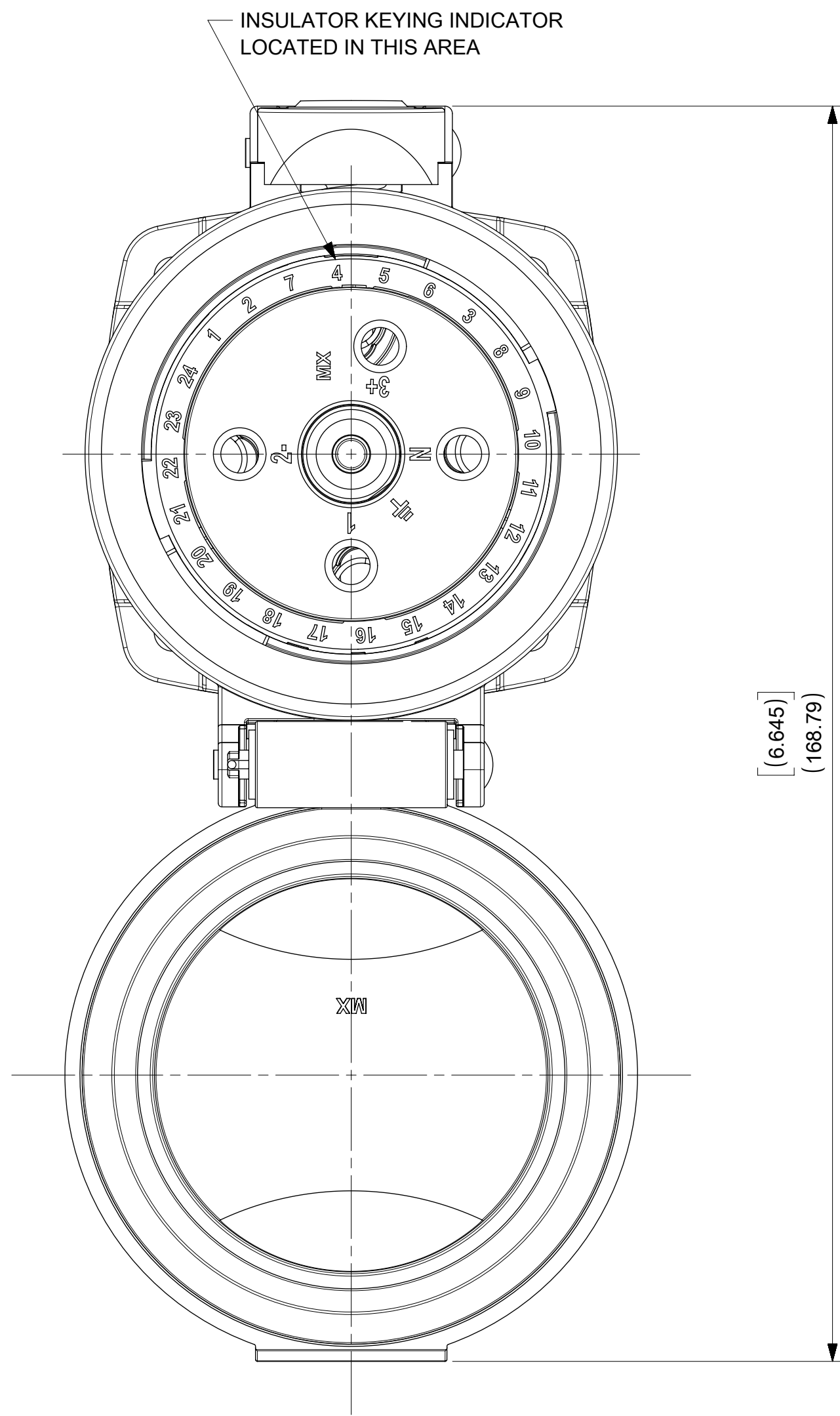


ARC30FE03 SHOWN

NOTES:  
MATERIALS:  
HOUSINGS AND INSULATORS: GLASS FILLED PBT  
CONTACTS: COPPER ALLOY WITH A SILVER NICKEL TIP, SILVER PLATED  
MOUNTING AND INTERFACE GASKETS: SILICONE  
RATINGS:  
CURRENT: 30 AMPS  
VOLTAGE AND HORSEPOWER: SEE TABLE  
OPERATING TEMPERATURE: -40°C (-40°F) TO 60°C (140°F)  
ENVIRONMENTAL: TYPE 4X, IP69K  
WIRING CAPACITY: 12 AWG MIN. TO 8 AWG MAX.  
TORQUE TERMINAL SCREWS TO 1.7 N-M (15 in/lbs)  
AGENCY: UL LISTING PENDING  
SWITCH RATED RECEPTACLE/CONNECTOR  
BRANCH CIRCUIT DISCONNECT SWITCH  
MOTOR CIRCUIT DISCONNECT SWITCH IF HP RATED

THIS DRAWING REPLACES SD-112219-001.

SYMBOLS		THIS DRAWING CONTAINS INFORMATION THAT IS PROPRIETARY TO MOLEX ELECTRONIC TECHNOLOGIES, LLC AND SHOULD NOT BE USED WITHOUT WRITTEN PERMISSION		CURRENT REV DESC: ADDED 10HP,NEW		NOTES	
DIMENSION UNITS	SCALE	MM	INCH	DOC TYPE	DOC PART	REVISION	
INCH	1.5:1			PSD	000	B3	
GENERAL TOLERANCES (UNLESS SPECIFIED)				EC NO: 604773		ARC 30A F 480VAC 3P+G	
4 PLACES	±			DRWN: MJANTELEZIO 2018/09/20		PRODUCT CUSTOMER DRAWING	
3 PLACES	±			CHK'D: JFMURPHY 2018/11/05		DOCUMENT NUMBER	
2 PLACES	±			APPR: JFMURPHY 2018/11/05		1122190010	
1 PLACE	±			INITIAL REVISION:		DOC TYPE	
0 PLACES	±			DRWN: DRWN BY XXXX/XX/XX		DOC PART	
ANGULAR TOL	± °			APPR: APPR BY XXXX/XX/XX		REVISION	
DRAFT WHERE APPLICABLE MUST REMAIN WITHIN DIMENSIONS		THIRD ANGLE PROJECTION		DRAWING		SHEET NUMBER	
		C-SIZE		SERIES		1 OF 2	
		112219		GENERAL MARKET			



ARC30FE03 SHOWN

SYMBOLS		THIS DRAWING CONTAINS INFORMATION THAT IS PROPRIETARY TO MOLEX ELECTRONIC TECHNOLOGIES, LLC AND SHOULD NOT BE USED WITHOUT WRITTEN PERMISSION					
DIMENSION UNITS		SCALE		CURRENT REV DESC: ADDED 10HP, NEW NOTES			
$\nabla = 0$	INCH	1.5:1		<p><b>molex</b></p> <p>ARC 30A F 480VAC 3P+G</p> <p>PRODUCT CUSTOMER DRAWING</p>			
$\nabla = 0$	GENERAL TOLERANCES (UNLESS SPECIFIED)		<p>EC NO: 604773</p> <p>DRWN: MJANTELEZIO 2018/09/20</p> <p>CHK'D: JFMURPHY 2018/11/05</p> <p>APPR: JFMURPHY 2018/11/05</p>				
$\nabla = 0$		MM	INCH			<p>INITIAL REVISION:</p> <p>DRWN: DRWN BY XXXX/XX/XX</p> <p>APPR: APPR BY XXXX/XX/XX</p>	
$\nabla = 0$	4 PLACES	±	±			<p>DOCUMENT NUMBER</p> <p>1122190010</p>	
$\nabla = 0$	3 PLACES	±	±	<p>DOC TYPE</p> <p>PSD</p>			
$\nabla = 0$	2 PLACES	±	±	<p>DOC PART</p> <p>000</p>			
$\nabla = 0$	1 PLACE	±	±	<p>REVISION</p> <p>B3</p>			
$\nabla = 0$	0 PLACES	±	±	<p>MATERIAL NUMBER</p> <p>GENERAL MARKET</p>			
$\nabla = 0$	ANGULAR TOL	±	°	<p>CUSTOMER</p> <p>GENERAL MARKET</p>			
$\nabla = 0$	DRAFT WHERE APPLICABLE MUST REMAIN WITHIN DIMENSIONS		THIRD ANGLE PROJECTION		<p>SHEET NUMBER</p> <p>2 OF 2</p>		
$\nabla = 0$			<p>DRAWING</p> <p>C-SIZE</p>		<p>SERIES</p> <p>112219</p>		

**molex**

ARC 30A F 480VAC 3P+G

PRODUCT CUSTOMER DRAWING

DOCUMENT NUMBER  
1122190010

DOC TYPE  
PSD

DOC PART  
000

REVISION  
B3

CUSTOMER  
GENERAL MARKET

SHEET NUMBER  
2 OF 2