

SIGN	DATE	DESCRIPTION	APPROVER
△	12/22/09	Add UL standard	Jacke
△	10/20/11	The dimensions are added	Aaron
△	11/18'13	Update the drawing	Chen Bo

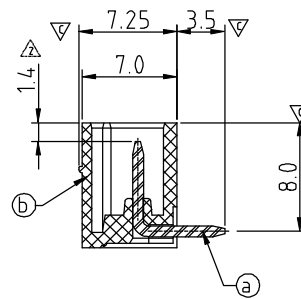
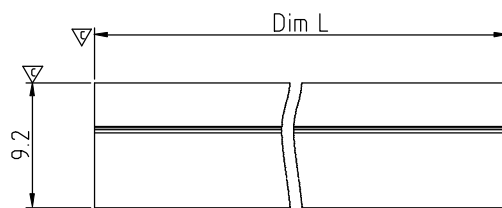
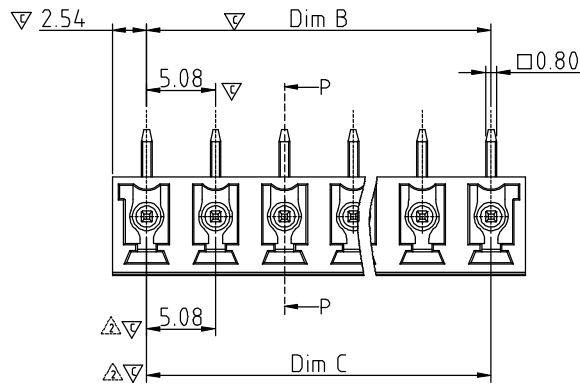
*THIS IS CAD DRAWING, DO NOT REVISE MANUALLY!!!*

Dimension

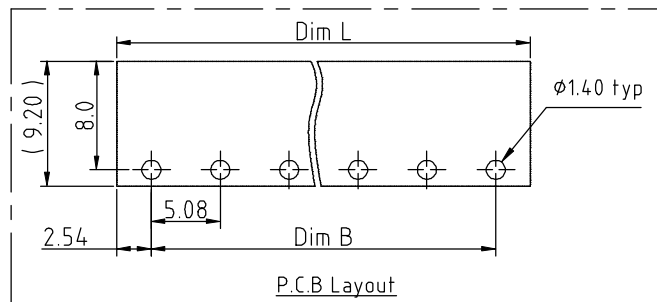
Dim L	N×5.08
Dim B	(N-1)×5.08
Dim C	(N-1)×5.08

N= Number of poles

Poles	Tolerance
2p-5p	±0.15
6p-10p	±0.25
11p-15p	±0.30
16p-24p	±0.40



SECTION P-P



Material:

- Item ③ Male contact pin: Copper, Tin plated
- Item ④ Terminal(housing): Thermoplastic (UL94V-0)

Electrical:

- Voltage rating: 300V
- Current rating: 10A
- Withstanding Voltage: 1.6 KV
- Operating temperature: -40°C to +115°C
- Soldering temperature: 260°C±5°C/5 Sec

- △ ● Safety Approval: **us**
- Critical dimension: ▽

PART NO. VS xx 51 x 1 xxxx G

No. OF POLES  
02 2 CONTACTS  
03 3 CONTACTS  
... ..  
24 24 CONTACTS

Color  
0 Black (RAL9005)  
2 Red (RAL3001/D)  
3 Orange(RAL2011/P)  
4 Yellow(RAL1018/A)  
5 Green(RAL6018/T)  
6 Blue (RAL5015/A)  
8 Grey(RAL7035/D)  
9 White(RAL1102)  
C Green(RAL6018/U)

G RoHS compliant (lead<4%)  
In copper Alloy  
0000: "@ " Logo (Standard)  
000A: "ANYTEK" Mark  
Any special item by customer request, please contact sales department.

<b>ANYTEK</b>				<b>CUSTOMER COPY</b>			
ALL RIGHTS RESERVED. REPRODUCTION OR ISSUE TO THIRD PARTIES IN ANY FORM WHATSOEVER IS NOT PERMITTED WITHOUT WRITTEN AUTHORITY FROM THE PROPRIETOR. PROPERTY OF ANYTEK TECHNOLOGY CO., LTD							
TITLE		VS 5.08 Series 2P-24P Close Right-angle					
PART NO.		VSxx51x1xxxxG			DWG NO.		8VS0002
APPROVED		DESIGNED	DRAWN	CUST NO.		Tolerance	
		Chen Bo 11/18'13	Chen Bo 11/18'13			X. ±0.50 X.X ±0.30 X.XX ±0.10 X° ±1°	
						UNIT: mm SCALE: NONE	
				SHEET: 01/01		REV.: D	