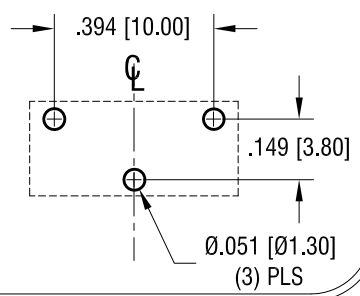
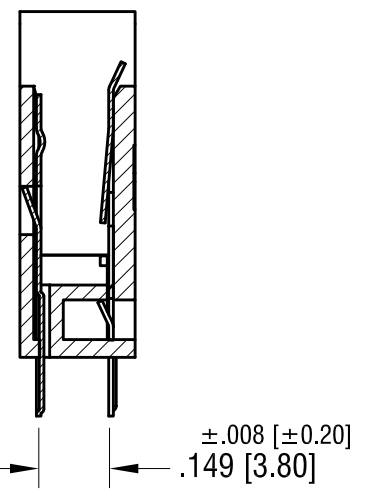
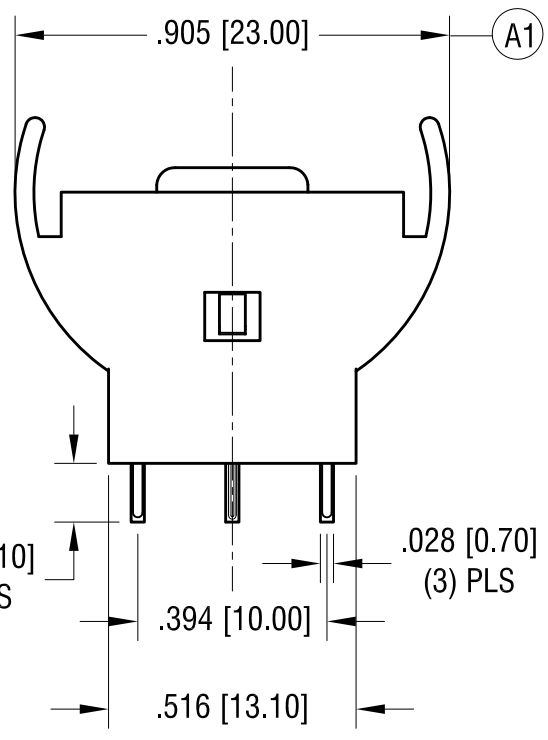
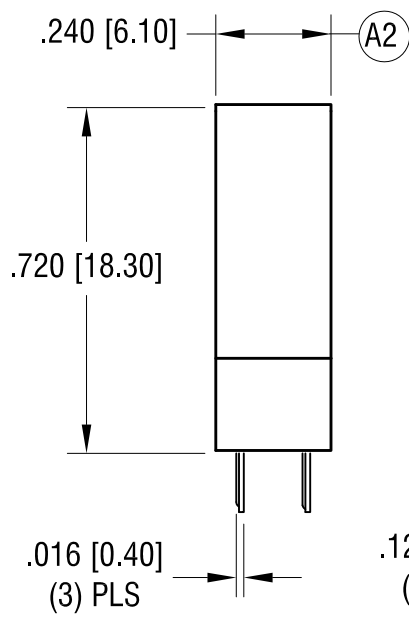
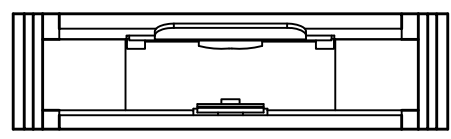
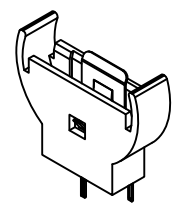


THIS DOCUMENT IS THE PROPERTY OF KEYSTONE ELECTRONICS CORP. AND SHALL NOT BE REPRODUCED, DISTRIBUTED OR USED AS A BASIS FOR MANUFACTURE WITHOUT PRIOR WRITTEN PERMISSION FROM KEYSTONE ELECTRONICS CORP.

**MTG LAYOUT**



**ACTUAL SIZE**



- NOTE:**
1. HOUSING: PA (BLACK COLOR)
  2. CONTACT: MAT'L- .010 [0.25] TH'K BRASS, C2680  
FINISH-TIN PLATING

(A1) WAS .897, (A2) WAS .248  
CHANGE AS PER ECN 18-022

5.10.18	DATE	DESCRIPTION	REV.
			A

<b>KEYSTONE ELECTRONICS CORP.</b>			
www.keyelco.com • NEW HYDE PARK, NY 11040 • Tel (516) 328-7500			
PART NAME COIN CELL VERTICAL THM HOLDER, CR2032			
MATERIAL AS NOTED			
FINISH AS NOTED		DRN BY NT	DATE 5.10.18
		APP'D LN	SCALE 2.5X
TOLERANCES INCH [MM]	DECIMAL	ANGULAR	UNLESS OTHERWISE SPECIFIED
	±.010 [±.25]	± 1°	
CODE	DWG NO.		
C	1074		