

4

3

2

1

THIS DRAWING IS UNPUBLISHED.

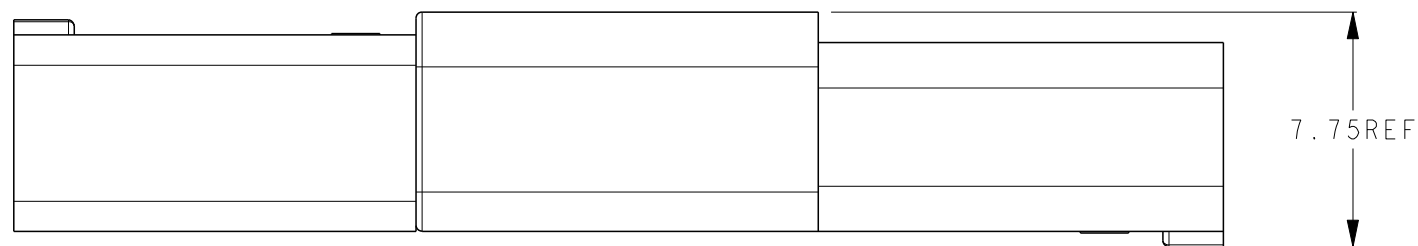
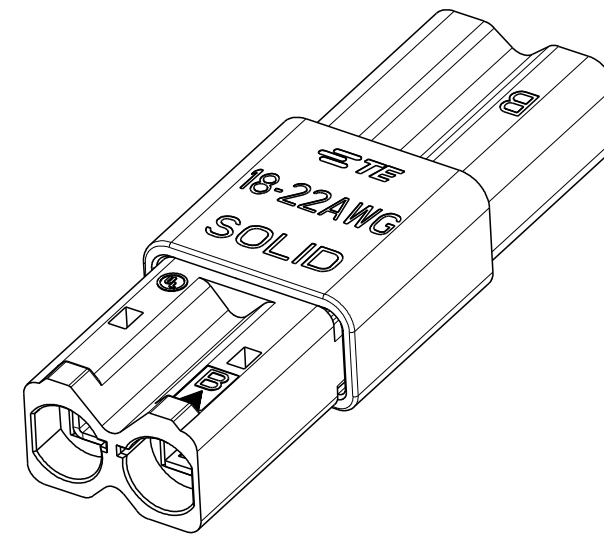
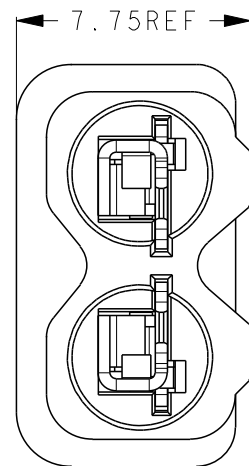
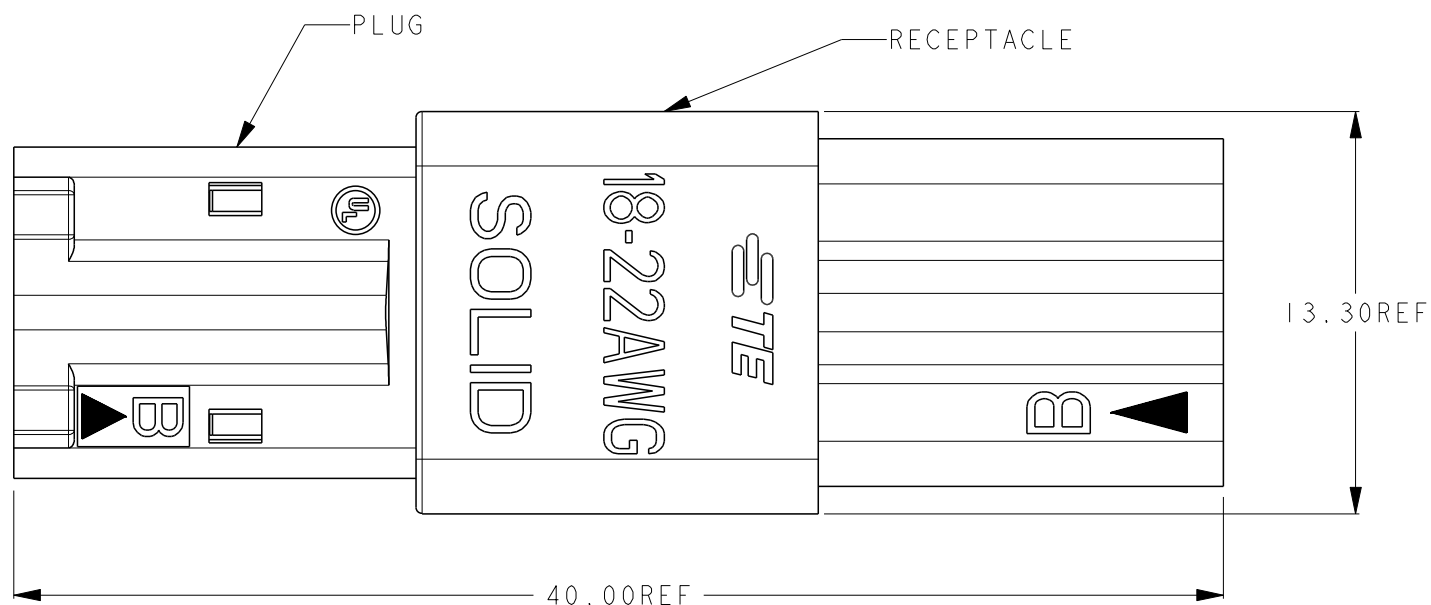
RELEASED FOR PUBLICATION

20

© COPYRIGHT 20


ALL RIGHTS RESERVED.

LOC	DIST	REVISIONS					
		P	LTR	DESCRIPTION	DATE	DWN	APVD
ES			A1	UDPATE PACKAGING INFORMATION	25JUN2014	M.S	X.X
			A3	NOTE 5, 6	05DEC2014	M.S	X.X
			A4	MARK CHANGE	14MAY2015	M.S	X.X
			A5	ADD PN	13OCT2015	M.S	X.X



PART NUMBER	PLUG	RECEPTACLE	PART COLOR
2271203-1	2271180-1	2271183-1	ORANGE
2271203-2	2271180-2	2271183-2	BLACK
2271203-3	2271180-3	2271183-3	WHITE (NATURAL)

- NOTES:
- 1 MATED CONNECTOR PART NUMBER:SEE TABLE.
 - 2 MATERIAL
 - 3 TERMINAL: COPPER ALLOY.
 - 4 HOUSING : NYLON, UL 94-V0.COLOR: ORANGE.
 - 5 FINISH
 - 6 TERMINAL : TIN PLATING OVERALL.
 - 7 PACKAGING: PLASTIC BAG.
 - 8 APPLICABLE WIRE: AWG18-22 SOLID OR TIN DIPPED STRANDED. (16 STRANDS MAX. FOR 18 AWG, 7 STRANDS MAX FOR 20-22 AWG. SEE RELATED APPLICATION SPECIFICATION AND PRODUCT SPECIFICATION)
 - 9 STRIP LENGTH:9.5±0.80mm.
 - 10 PRODUCT COMPLIES TO UL 2459 REQUIREMENT AND QUALIFIED: ZMNA.E308110 ; ZMNA7.E308110

THIS DRAWING IS A CONTROLLED DOCUMENT.		DWN	SHI MING	18MAY2014	 TE Connectivity	NAME	2 PIN WIRE TO WIRE CONNECTOR					
DIMENSIONS:		CHK	XU XIANG	18MAY2014			PRODUCT SPEC	APPLICATION SPEC	SIZE	CAGE CODE	DRAWING NO	RESTRICTED TO
mm		APVD	XU XIANG	18MAY2014								
TOLERANCES UNLESS OTHERWISE SPECIFIED:		MATERIAL		FINISH	WEIGHT	CUSTOMER DRAWING		SCALE	SHEET	OF	REV	
±0.50		-		-	3.56g	-		4:1	1	2	A5	
0-PLC ±												
1-PLC ±												
2-PLC ±												
3-PLC ±												
4-PLC ±												
ANGLES ±5°												

4

3

2

1

THIS DRAWING IS UNPUBLISHED.

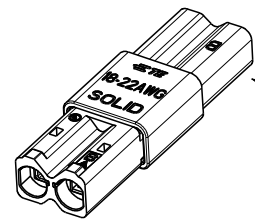
RELEASED FOR PUBLICATION

20

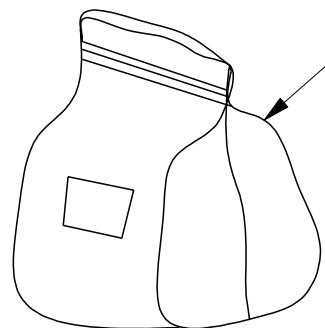
© COPYRIGHT 20

ALL RIGHTS RESERVED.

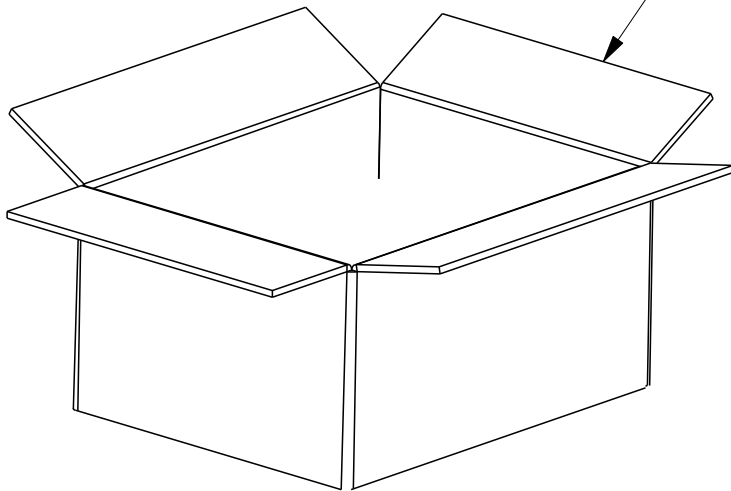
LOC	DIST	REVISIONS					
		P	LTR	DESCRIPTION	DATE	DWN	APVD
ES							



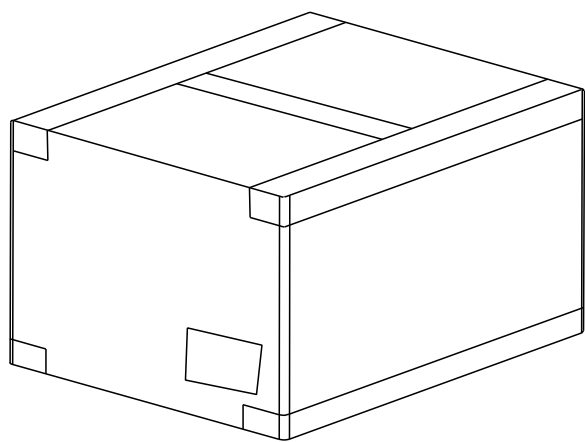
2271203-X



PLASTIC BAG



CARTON



NOTE:
1. PACKAGING QUANTITY: SEE TABLE.

PAIRS PER BAG	BAGS PER CARTON	PAIRS PER CARTON
250 PCS	8	2000

THIS DRAWING IS A CONTROLLED DOCUMENT.		DWN	18MAY2014	STE TE Connectivity
		CHK	SHI MING 18MAY2014	
		APVD	XU XIANG 18MAY2014	
DIMENSIONS: mm		TOLERANCES UNLESS OTHERWISE SPECIFIED:		NAME
		0 PLC ±		2 PIN WIRE TO WIRE CONNECTOR
		1 PLC ±10		
		2 PLC ±5.0		SIZE
		3 PLC ±		CAGE CODE
		4 PLC ±		DRAWING NO
		ANGLES ±5°		RESTRICTED TO
MATERIAL		FINISH		SCALE
-		-		4:1
		WEIGHT		SHEET
		-		2 OF 2
		CUSTOMER DRAWING		REV
		A300779C-2271203		A5