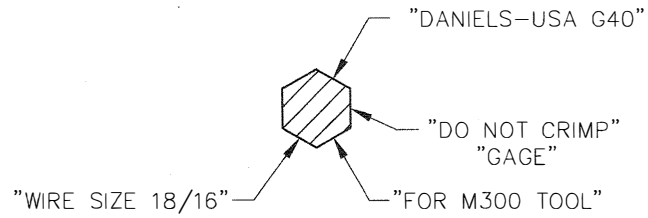
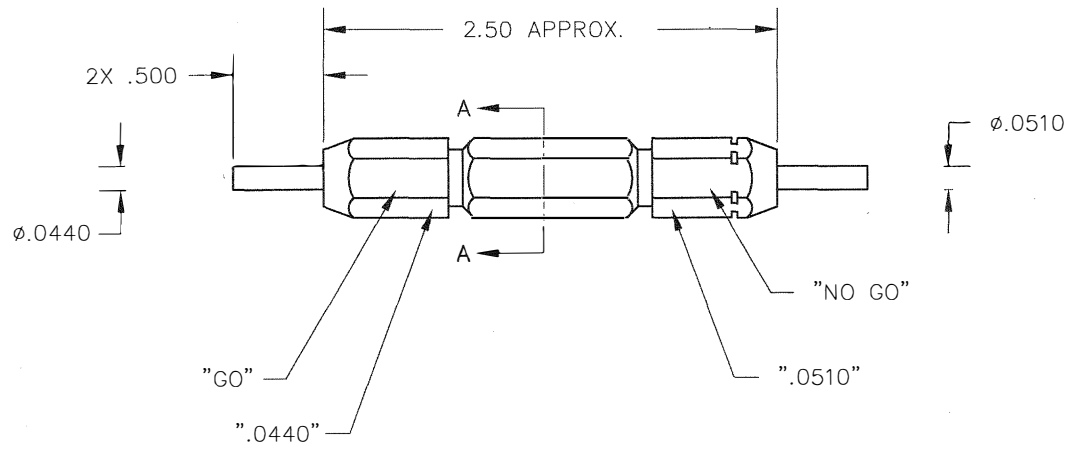


REV. SYM.	E.C.O. NUMBER	REVISIONS		BY DATE	APP'D DATE
		DESCRIPTION			
1		ORIGINAL RELEASE		3-19-12	



SECTION A-A



**UNCONTROLLED DOCUMENT  
WILL NOT BE UPDATED**  
DIMENSIONS IN INCHES - UNLESS OTHERWISE SPECIFIED

**RESTRICTED & CONFIDENTIAL**  
CONFIDENTIAL PROPERTY OF DANIELS MANUFACTURING CORP. NOT TO BE DISCLOSED TO OTHERS, REPRODUCED OR USED FOR ANY OTHER PURPOSE, EXCEPT AS AUTHORIZED IN WRITING BY DANIELS MANUFACTURING. MUST BE RETURNED TO DANIELS MANUFACTURING CORP. ON COMPLETION OF ORDER OR OTHER PURPOSE FOR WHICH LENT.

DO NOT SCALE DRAWING

MATERIAL	ITEM	PART NO.	QTY.	DESCRIPTION/REMARKS
HEAT TREAT	DRN. <i>Jerry Dilworth</i>	DATE 3/19/12		<b>DMC</b> DANIELS MANUFACTURING CORP. ORLANDO, FLORIDA GAGE 11851
FINISH	CHK'D.	DATE		
	APP'D.	DATE	TITLE	GO/NO-GO GAGE ENVELOPE DRAWING
	APP'D.	DATE	WHERE USED:	M300
			SIZE	CAD P/N
			B	G40-ENV
			SCALE	NTS
			POSTING	DWG. NO.
				G40-ENV
				SHEET 1 OF 1
				REV. 1

NOTE:  
THIS DRAWING IS AN OUTLINE DRAWING OF THE RESPECTIVE DMC PART NUMBER INDICATED. ACTUAL DMC PART NUMBER IS DRAWING NUMBER WITHOUT THE "-ENV" SUFFIX.