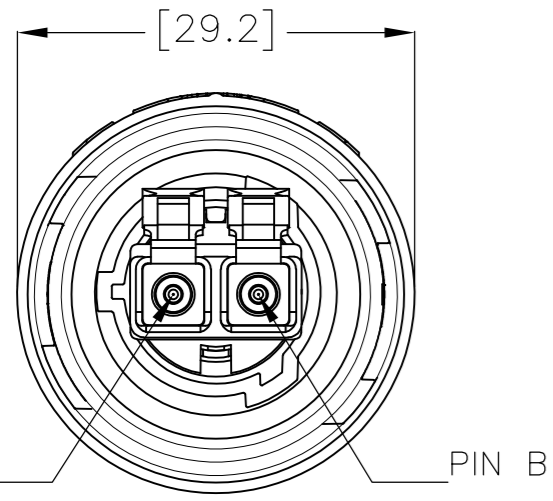
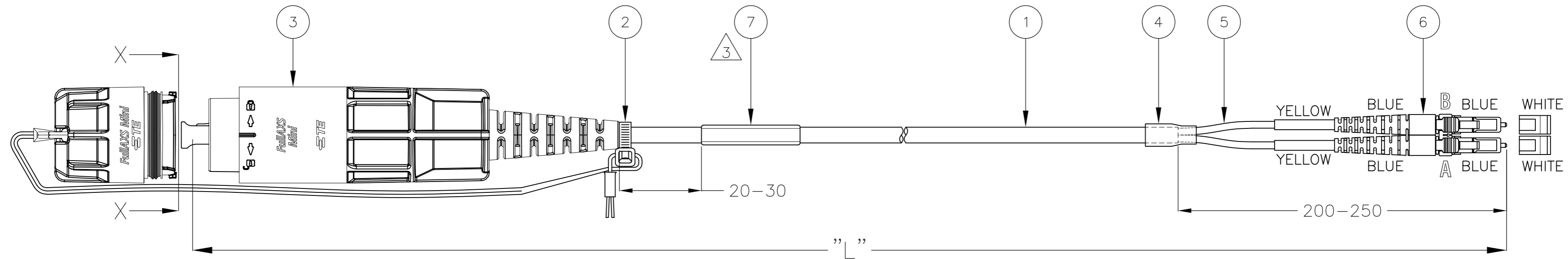


THIS DRAWING IS UNPUBLISHED. RELEASED FOR PUBLICATION  
 © COPYRIGHT - By - ALL RIGHTS RESERVED.

LOC	DIST	REVISIONS			
P	LTR	DESCRIPTION	DATE	DWN	APVD
H	-	1	CONCEPTUAL DRAWING	27MAY15	RC SB



VIEW X-X  
(DUST CAPS NOT SHOWN)

ASSEMBLY CONNECTIVITY	
FULLAXS MINI	LC CONN.
PIN A	B
PIN B	A

STANDARD LENGTHS ACCORDING TO CUSTOMER DRAWING 1206850	
PART NUMBER	"L" (meter)
X-2061980-Y	XY.0

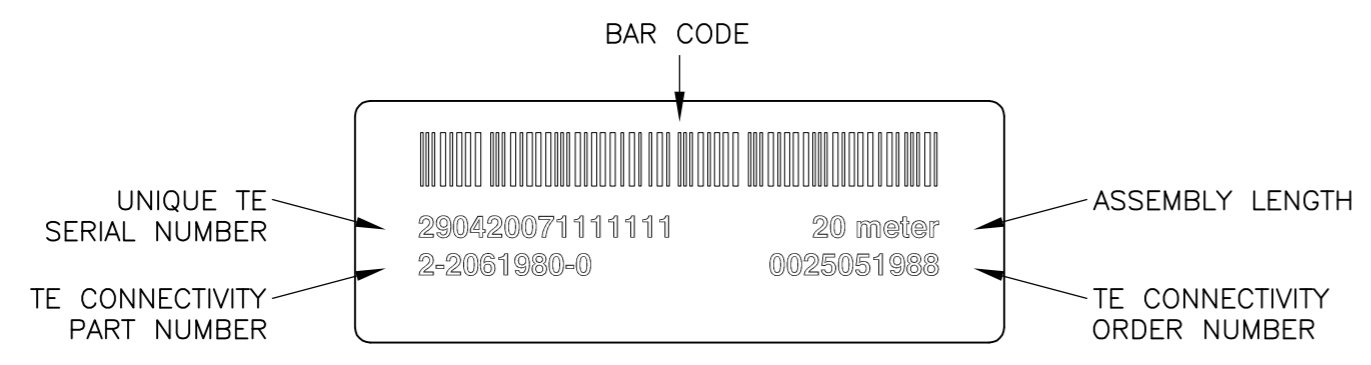
PRELIMINARY PART  
 NOT RELEASED FOR PRODUCTION  
 THIS PRODUCT HAS NOT COMPLETED  
 VALIDATION TESTING

NOTES:

- MAX. CONNECTOR ATTENUATION 0.3 dB, MEASURED AT 1310 nm AND 1550 nm ACCORDING TO I.E.C. 61300-3-4 INSERTION METHOD B
- MIN. RETURN LOSS 45 dB, IN MATED CONDITION AGAINST REFERENCE CONNECTOR AT 1310 nm AND 1550 nm
- INFORMATION ON LABEL, SEE DETAIL FOR EXAMPLE
  - BARCODE
  - UNIQUE TE SERIAL NUMBER
  - ASSEMBLY LENGTH
  - TE CONNECTIVITY PART NUMBER & ORDER NUMBER
- CABLE INFORMATION:
  - CORE DIAMETER: 9/125 μm (2x)
  - OUTER JACKET DIAMETER: 4.8 mm
  - OUTER JACKET COLOUR: BLACK
  - OUTER JACKET MATERIAL: HALOGEN FREE FLAME RETARDANT
  - CABLE ATTENUATION: 0.40 dB/km @ 1310 nm OR 0.25 dB/km @ 1550 nm

Qty	Description	Item
1	INFORMATION LABEL	7
1	LC DUPLEX CONNECTOR, SINGLE MODE, BLUE	6
2	PROTECTIVE TUBING, BLACK	5
1	HEAT SHRINK TUBING, BLACK	4
1	FULLAXS MINI LC DUPLEX PLUG ASSEMBLY, SM, WITH CAP, BLACK	3
1	FULLAXS MINI STOPPER, CABLE TIE	2
L	FOCAB Ø4.8 mm, 2FOLD, SINGLE MODE G657.A2, BLACK	1

△ LABEL DETAIL:



THIS DRAWING IS A CONTROLLED DOCUMENT. DWN: R. COOLEN, 10DEC2014  
 CHK: S. BORGAS, 27MAY15  
 APVD: S. BORGAS, 27MAY15  
 PRODUCT SPEC: FIBER OPTIC LEAD 4.8 mm FULLAXS MINI LC/DPX - LC/DPX SINGLE MODE G657.A2

**PRELIMINARY**

TE Connectivity

MATERIAL	FINISH	WEIGHT	SCALE	SHEET	REV
-	-	-	A2	00779	1 of 1

CUSTOMER DRAWING NTS