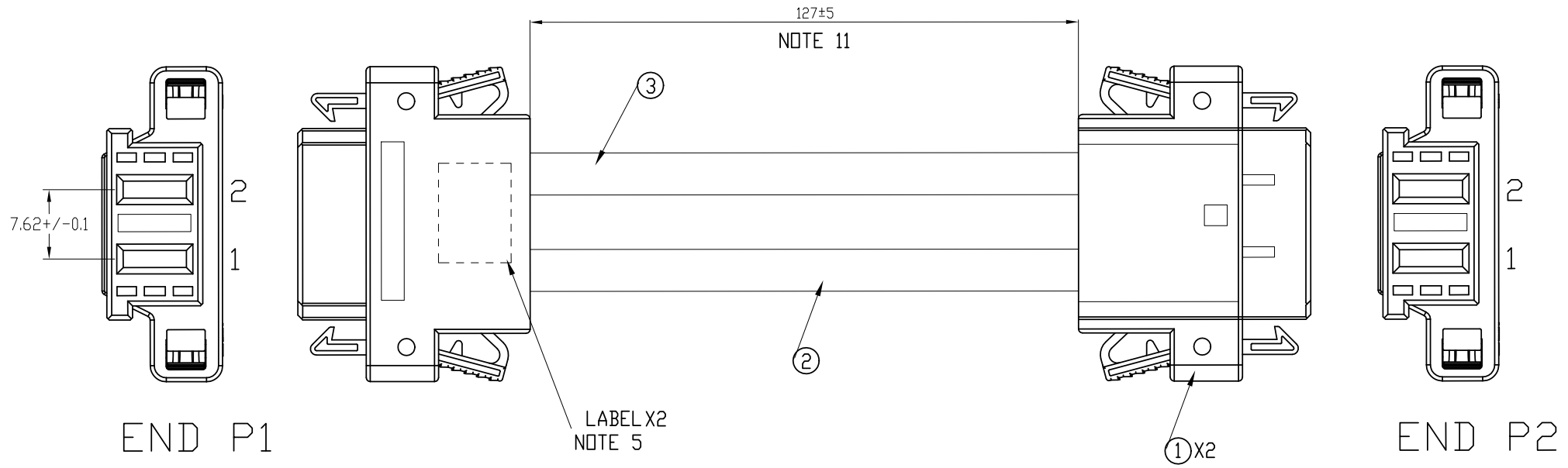


FCI CONFIDENTIAL

PRODUCT NUMBER
NOTE 3
10080594-3AD0117LF



END P1	WIRE	END P2
1	8AWG BLACK	1
2	8AWG RED	2

Qty	Unit	Description	Item
NA	M	UL10198 ULTRA FLEXIBLE 8AWG RED	3
NA	M	UL10198 ULTRA FLEXIBLE 8AWG BLACK	2
2	PC	Housing 2Acp KIT 0.30" spacing	1

mat'l. code			surface ISO 1302 ✓	tolerance ISO 406 ISO 1101	projection ⊕	product family Power blade	
ltrecn no	dr	date	tolerances unless otherwise specified		title		
c -	wilson	01-12-12	angles	linear	MM	PowerBlade 2Acp Cable Assembly	
					scale 4		
			dr	wilson	10-06'09	dwg no sheet 1 of 2 size	
			enr	wilson	10-06'09	10080594-3AD0117LF A3	
			chr	wilson	10-06'09		
			appd	Jackson	10-06'09	Type Customer Drawing	
sheet index	revision sheet	c					
	1						



FCI
FCIconnect.com
Copyright FCI

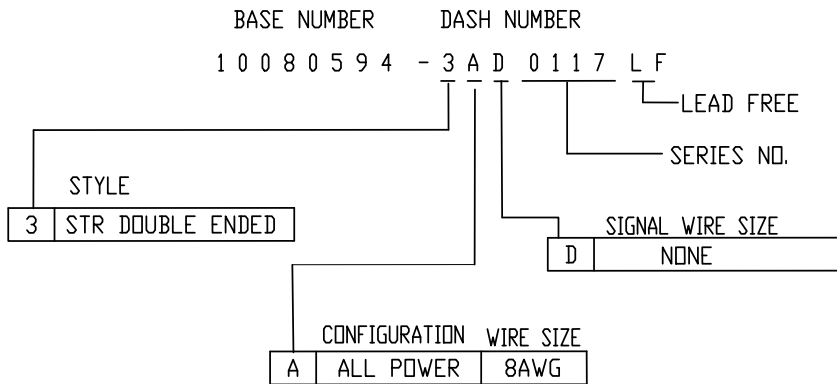
This document may be used in any way or disclosed to others without the written consent of FCI.

NOTES:

①. END P1 MATES WITH FCI HEADER P/N 51939-475LF or 51963-046LF.
END P2 MATES WITH FCI HEADER P/N 51939-475LF or 51963-046LF.

②. UNLESS OTHERWISE SPECIFIED ASSEMBLED LENGTH TOLERANCE =
< 1 METER: ±15.0mm
> 1 METER TO 10 METER: ±2% OF L1
> 10 METER: +0.00% / -4% OF L1

3. PART NUMBER DESCRIPTION:



4. UNLESS OTHERWISE SPECIFIED LABEL POSITION SHALL BE APPROXIMATELY 50mm FROM REAR OF CONNECTOR.

⑤. LABEL OR INK STAMP 660-0218 ASSEMBLY NUMBER, REVISION, MFG. DATE CODE, AND SUPPLIER I.D. WITH .10" HIGH CHARACTERS APPROXIMATELY WHERE INDICATED. MARK TO 660 LEVEL PER PURCHASE ORDER OR CURRENT BILL OF MATERIAL.

RPM1191529/1 R1D
WWYY FCI

⑥. ALL CABLE ASSEMBLIES SHALL BE TESTED 100% FOR CONTINUITY AS DEFINED IN WIRING LIST.

7. UNLESS OTHERWISE SPECIFIED ALL CABLE ASSEMBLIES SHALL BE 100% HI-POT TESTED BY APPLYING 300V DC FOR MINIMUM OF 10ms, UNLESS ACTIVE COMPONENTS ARE USED IN THIS ASSEMBLY.

8. ALL CUSTOMER DRAWINGS ARE SUPPLIED WITH METRIC DIMENSIONS.

⑨. LEAD FREE PRODUCTS MEET EUROPEAN UNION DIRECTIVES AND OTHER COUNTRY REGULATIONS AS DESCRIBED IN GS-22-008.

PACKAGING OF LEAD FREE PRODUCTS MEETS LABELING AND PACKAGING SPECIFICATION GS-14-920.

⑩. CONNECTOR ASSEMBLIES SHOWN ARE FOR REFERENCE ONLY AND MAY NOT SHOW ALL PART DETAIL. REFERENCE CONNECTOR HOUSING DRAWINGS FOR COMPLETE DETAILS.

11. BAG AND TAG WITH THE PART NUMBER AND THE LATEST REVISION.

⑫. THIS DIMENSION IS A FINISHED PRODUCT LENGTH.

13. CABLE: UL APPROVED, TEMPERATURE RATING 105°C. 300V .
HOUSING: HIGH TEMP. THERMOPLASTIC, UL94V-0 GLASS FILLED,
COLOR: BLACK
POWER CONTACTS: COPPER ALLOY

mat'l. code		surface ISO 1302 ✓		tolerance ISO 406 ISO 1101		projection MM		product family Power blade	
l/tecn no		dr		date		tolerances unless otherwise specified		title	
C						linear		PowerBlade 2Acp Cable Assembly	
								scale 4	
		dr		wilson		10-06'09		dwg no	
		enr		wilson		10-06'09		sheet 2 of 2	
		chr		wilson		10-06'09		10080594-3AD0117LF	
		appd		Jackson		10-06'09		A3	
sheet		revision		C				Type Customer Drawing	
index		sheet		2					