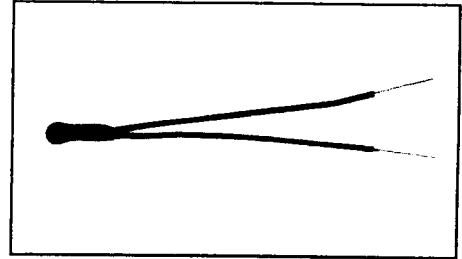
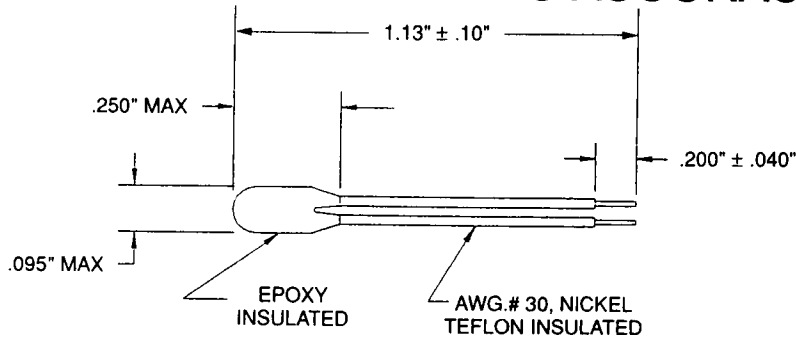


Keystone MINIATURE SENSORS

1°C ACCURACY



Type	R _o @ 25°C	Temp. Coef. %/°C @ 25°C	Material
RL0503-1248-73-MS	2K	-3.83	MS73
RL0503-2890-95-MS	5K	-4.43	MS95
RL0503-5820-97-MS	10K	-4.40	MS97

Type	R _o @ 25°C	Temp. Coef. %/°C @ 25°C	Material
RL0503-1756K-96-MS	30K	-4.32	MS 96
RL0503-2753K-120-MS	50K	-4.84	MS120
RL0503-5536K-122-MS	100K	-4.78	MS122

Temperature Accuracy: ±1°C @ 25°C
Dissipation Constant: 1.4 mW/°C

Time Constant: 15 sec.
Operating Range: -50°C to +150°C

TEMP. °C	TEMP. ACCY. ±°C	MS73		MS95		MS97A		MS96		MS120		MS122	
		R _T / R _{25°C}	TEMP. COEF. %/°C	R _T / R _{25°C}	TEMP. COEF. %/°C	R _T / R _{25°C}	TEMP. COEF. %/°C	R _T / R _{25°C}	TEMP. COEF. %/°C	R _T / R _{25°C}	TEMP. COEF. %/°C	R _T / R _{25°C}	TEMP. COEF. %/°C
-50	2.5	38.99	-6.21	66.97	-7.10	69.27	-7.25	60.16	-6.93	105.3	-7.92	89.49	-7.58
-45	2.4	28.74	-5.99	47.25	-6.85	48.55	-6.98	42.81	-6.68	71.37	-7.64	61.68	-7.31
-40	2.3	21.41	-5.78	33.74	-6.62	34.47	-6.73	30.83	-6.45	49.06	-7.36	43.07	-7.05
-35	2.2	16.12	-5.58	24.37	-6.40	24.78	-6.49	22.46	-6.23	34.17	-7.11	30.46	-6.81
-30	2.1	12.25	-5.39	17.80	-6.19	18.01	-6.27	16.54	-6.02	24.09	-6.87	21.79	-6.58
-25	2.0	9.400	-5.22	13.13	-5.99	13.24	-6.06	12.30	-5.83	17.19	-6.64	15.77	-6.37
-20	1.9	7.270	-5.05	9.776	-5.80	9.832	-5.86	9.232	-5.64	12.40	-6.43	11.52	-6.17
-15	1.8	5.671	-4.89	7.348	-5.62	7.372	-5.67	6.994	-5.47	9.039	-6.22	8.509	-5.97
-10	1.7	4.457	-4.74	5.570	-5.46	5.579	-5.49	5.344	-5.30	6.654	-6.03	6.341	-5.79
-5	1.6	3.529	-4.60	4.257	-5.30	4.258	-5.32	4.116	-5.14	4.945	-5.85	4.768	-5.62
0	1.5	2.813	-4.47	3.279	-5.10	3.277	-5.14	3.195	-5.00	3.708	-5.68	3.615	-5.53
5	1.4	2.257	-4.33	2.550	-4.95	2.546	-4.97	2.498	-4.85	2.805	-5.49	2.753	-5.37
10	1.3	1.824	-4.20	1.998	-4.81	1.993	-4.82	1.967	-4.71	2.140	-5.32	2.114	-5.21
15	1.2	1.484	-4.07	1.576	-4.68	1.573	-4.67	1.560	-4.57	1.648	-5.15	1.635	-5.06
20	1.1	1.214	-3.94	1.252	-4.55	1.250	-4.53	1.245	-4.45	1.279	-4.99	1.274	-4.92
25	1.0	1.000	-3.83	1.000	-4.43	1.000	-4.39	1.000	-4.32	1.000	-4.84	1.000	-4.78
30	1.1	0.8282	-3.71	0.8038	-4.31	0.8055	-4.26	0.8060	-4.21	0.7879	-4.70	0.7899	-4.65
35	1.3	0.6897	-3.61	0.6499	-4.20	0.6528	-4.14	0.6565	-4.10	0.6251	-4.56	0.6279	-4.53
40	1.4	0.5773	-3.51	0.5282	-4.09	0.5323	-4.03	0.5364	-3.99	0.4993	-4.43	0.5021	-4.41
45	1.6	0.4857	-3.41	0.4316	-3.99	0.4365	-3.91	0.4405	-3.89	0.4014	-4.30	0.4039	-4.30
50	1.7	0.4105	-3.32	0.3545	-3.74	0.3599	-3.81	0.3636	-3.78	0.3247	-4.16	0.3267	-4.18
55	1.9	0.3485	-3.23	0.2949	-3.63	0.2983	-3.70	0.3019	-3.67	0.2645	-4.04	0.2658	-4.07
60	2.0	0.2972	-3.14	0.2465	-3.53	0.2486	-3.60	0.2519	-3.57	0.2167	-3.93	0.2175	-3.96
65	2.1	0.2546	-3.06	0.2070	-3.44	0.2082	-3.50	0.2112	-3.48	0.1785	-3.82	0.1789	-3.85
70	2.3	0.2189	-2.98	0.1747	-3.35	0.1753	-3.40	0.1779	-3.39	0.1479	-3.72	0.1479	-3.75
75	2.5	0.1890	-2.90	0.1481	-3.26	0.1482	-3.31	0.1505	-3.30	0.1231	-3.62	0.1229	-3.66
80	2.6	0.1638	-2.83	0.1261	-3.18	0.1258	-3.23	0.1279	-3.22	0.1029	-3.52	0.1026	-3.56
85	2.8	0.1425	-2.76	0.1077	-3.10	0.1073	-3.14	0.1091	-3.14	0.08649	-3.43	0.08608	-3.48
90	2.9	0.1244	-2.69	0.09243	-3.02	0.09189	-3.06	0.09345	-3.06	0.07299	-3.35	0.07252	-3.39
95	3.0	0.1089	-2.63	0.07961	-2.95	0.07899	-2.99	0.08035	-2.99	0.06186	-3.26	0.06134	-3.31
100	3.2	0.09569	-2.56	0.06881	-2.88	0.06816	-2.90	0.06933	-2.92	0.05265	-3.18	0.05210	-3.23
105	3.4	0.08417	-2.50	0.05977	-2.81	0.05906	-2.83	0.06002	-2.85	0.04508	-3.10	0.04436	-3.15
110	3.6	0.07428	-2.45	0.05210	-2.74	0.05134	-2.77	0.05213	-2.79	0.03870	-3.03	0.03790	-3.08
115	3.8	0.06577	-2.39	0.04560	-2.68	0.04479	-2.70	0.04542	-2.72	0.03341	-2.96	0.03254	-3.01
120	4.0	0.05842	-2.34	0.04005	-2.62	0.03920	-2.64	0.03970	-2.66	0.02892	-2.89	0.02802	-2.94
125	4.2	0.05205	-2.28	0.03529	-2.56	0.03441	-2.57	0.03480	-2.61	0.02511	-2.82	0.02421	-2.88
130	4.4	0.04651	-2.23	0.03119	-2.50	0.03030	-2.52	0.03059	-2.55	0.02187	-2.76	0.02100	-2.81
135	4.6	0.04167	-2.19	0.02766	-2.45	0.02676	-2.46	0.02696	-2.50	0.01911	-2.69	0.01826	-2.75
140	4.8	0.03744	-2.14	0.02460	-2.40	0.02369	-2.40	0.02383	-2.45	0.01675	-2.63	0.01594	-2.70
145	5.0	0.03372	-2.10	0.02194	-2.34	0.02104	-2.35	0.02112	-2.39	0.01473	-2.58	0.01395	-2.64
150	5.2	0.03045	-2.05	0.01963	-2.30	0.01873	-2.30	0.01876	-2.35	0.01296	-2.52	0.01225	-2.56