

NOTES:

1. MATERIALS AND FINISHES:
 SMP STR PLUG - BeCu, GOLD PLATING
 SMP RA PLUG - BeCu, GOLD PLATING
 CABLE - 0.047" CONFORMABLE

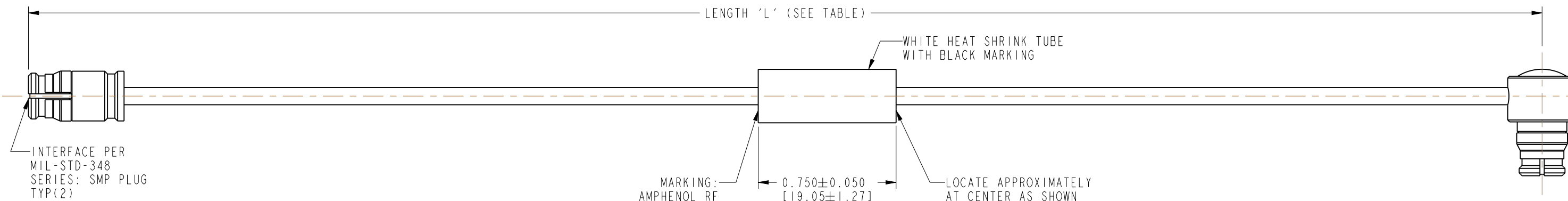
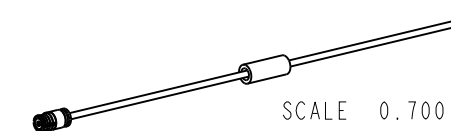
2. ELECTRICAL:
 A. IMPEDANCE: 50 OHM

3. PACKAGING:
 A. QUANTITY: SINGLE PACK
 B. MARKING: BAG TO BE MARKED
 "AMPHENOL RF, 95-725-120-XXX AND DATE CODE".

THIRD ANGLE PROJ.

REVISIONS

REV	DESCRIPTION	DATE	ECO	APPR
A	RELEASE TO MFG.	11-Jun-19	11801	SK



LENGTH TABLE		
PART NUMBER (IMPERIAL)	PART NUMBER (METRIC)	LENGTH 'L' IN INCHES [METERS]
-	95-725-120M005	1.97 [0.050]
95-725-120-003	-	3.00 [0.076]
-	95-725-120M010	3.94 [0.100]
95-725-120-004	-	4.00 [0.102]
95-725-120-005	-	5.00 [0.127]
-	95-725-120M015	5.91 [0.150]
95-725-120-006	-	6.00 [0.152]
95-725-120-007	-	7.00 [0.178]
-	95-725-120M020	7.87 [0.200]
95-725-120-008	-	8.00 [0.203]
95-725-120-009	-	9.00 [0.229]
-	95-725-120M025	9.84 [0.250]
95-725-120-010	-	10.00 [0.254]
95-725-120-011	-	11.00 [0.279]
-	95-725-120M030	11.81 [0.300]
95-725-120-012	-	12.00 [0.305]
95-725-120-018	-	18.00 [0.457]
-	95-725-120M050	19.69 [0.500]
95-725-120-024	-	24.00 [0.610]
-	95-725-120M075	29.53 [0.750]
95-725-120-036	-	36.00 [0.914]
-	95-725-120M100	39.37 [1.000]
95-725-120-048	-	48.00 [1.219]
-	95-725-120M200	78.74 [2.000]
-	95-725-120M400	157.48 [4.000]

TOLERANCE TABLE	
LENGTH IN INCHES/FT [METERS]	TOLERANCE
0" - 23.90" [0 - 0.607]	±0.25" [0.006]
24.00" - 59.00" [0.610 - 1.499]	±0.50" [0.013]
5.0' - 24.9' [1.524 - 7.617]	±2.5%
25.0' & UP [7.620 & UP]	±5.0%

DESIGN REQUIREMENTS:

FREQUENCY: DC - 20 GHz CONTINUITY

VSWR: ____ MAX. HI-POT: 500 VRMS

INS. LOSS: ____ dB MAX. OTHER

CUSTOMER OUTLINE DRAWING
 ALL OTHER SHEETS ARE FOR INTERNAL USE ONLY

UNLESS OTHERWISE SPECIFIED, DIMENSIONS ARE IN INCHES AND TOLERANCES ARE: 2 PLACE DECIMAL 3 PLACE DECIMAL ANGLES ±.015 (0.381 mm) ±.005 (0.127 mm) ± 1°	MATERIAL	DRAWN	DATE	TITLE SMP STR PLUG TO SMP RA PLUG USNG 0.047" CONFORMABLE CABLE VARIOUS LENGTH		Amphenol RF www.amphenolrf.com	
	SEE NOTES	KAVI S	20-May-19				
NOTICE - These drawings, specifications, or other data (1) are, and remain the property of Amphenol corp. (2) must be returned upon request; and (3) are confidential and not to be disclosed to any person other than those to whom they are given by Amphenol Corp. the furnishing of these drawings, specifications, or other data by Amphenol Corp., or to any other person to anyone for any purpose is not to be regarded by implication or otherwise in any manner licensing, granting rights to permitting such holder or any other person to manufacture, use or sell any product, process or design, patented or otherwise, that may in any way be related to or disclosed by said drawings, specifications, or other data.	REFERENCE	ENGINEER	DATE	SCALE: 3.6:1.0 SHEET 2 OF 2		DRAWING NO. 95-725-120-XXX ITEM NO. 95-725-120-XXX	
	EAR # 9091	KAVI S	20-May-19				
	CONFIGURATION LEVEL: In Work	APPROVED	DATE		DWG SIZE B REV A		PART NO. 95-725-120-XXX
FINISH	K. CAPOZZI	11-Jun-19	CAD FILE				