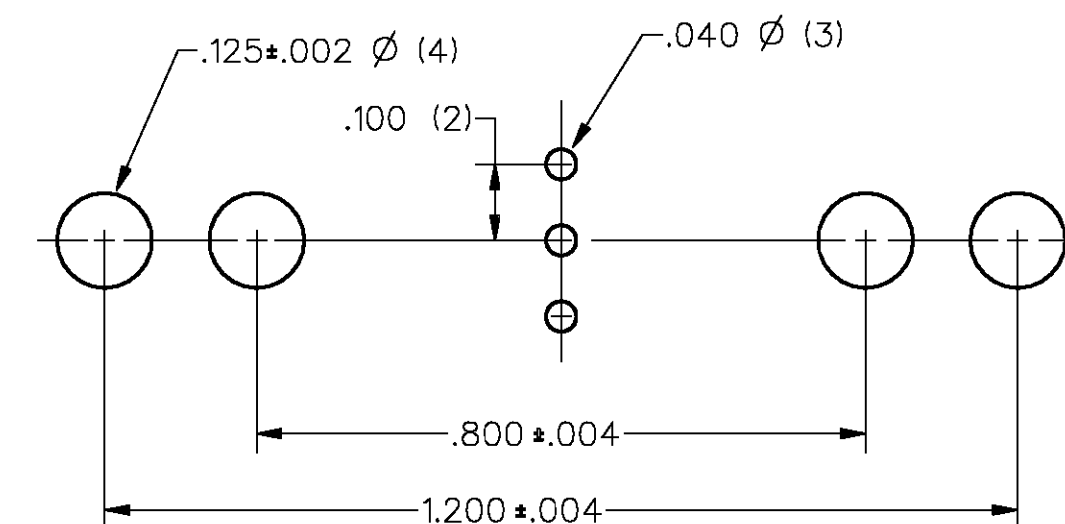


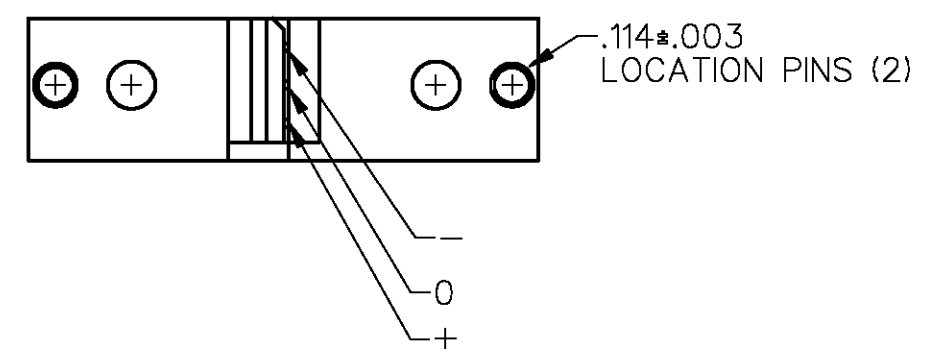
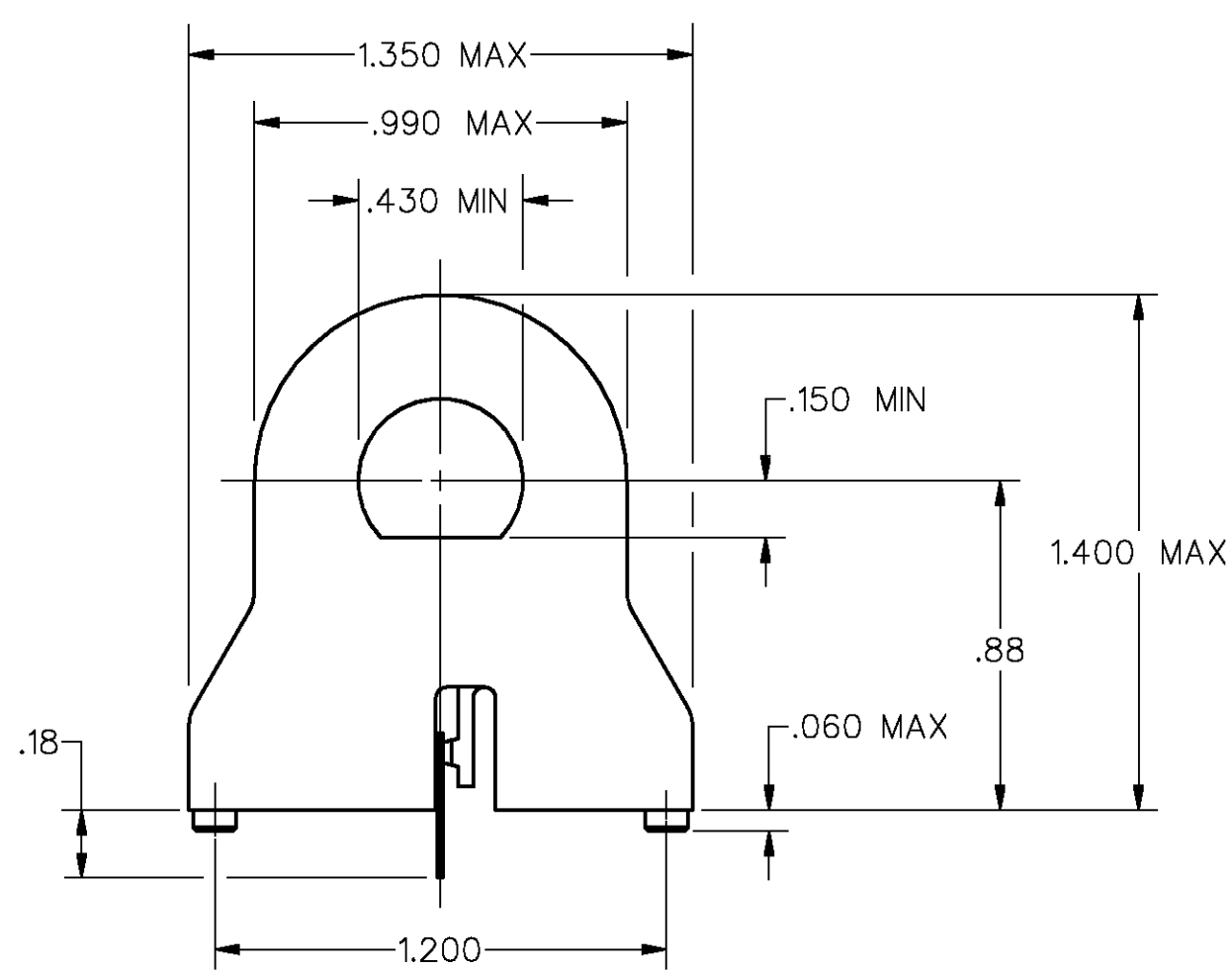
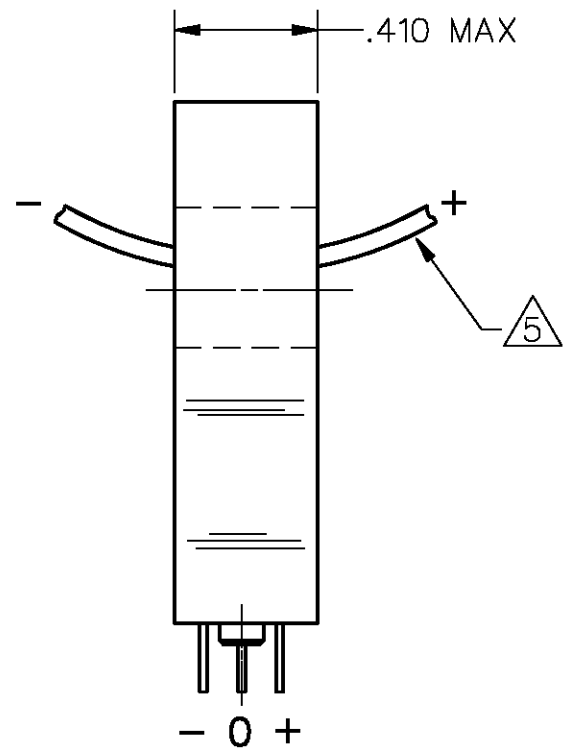
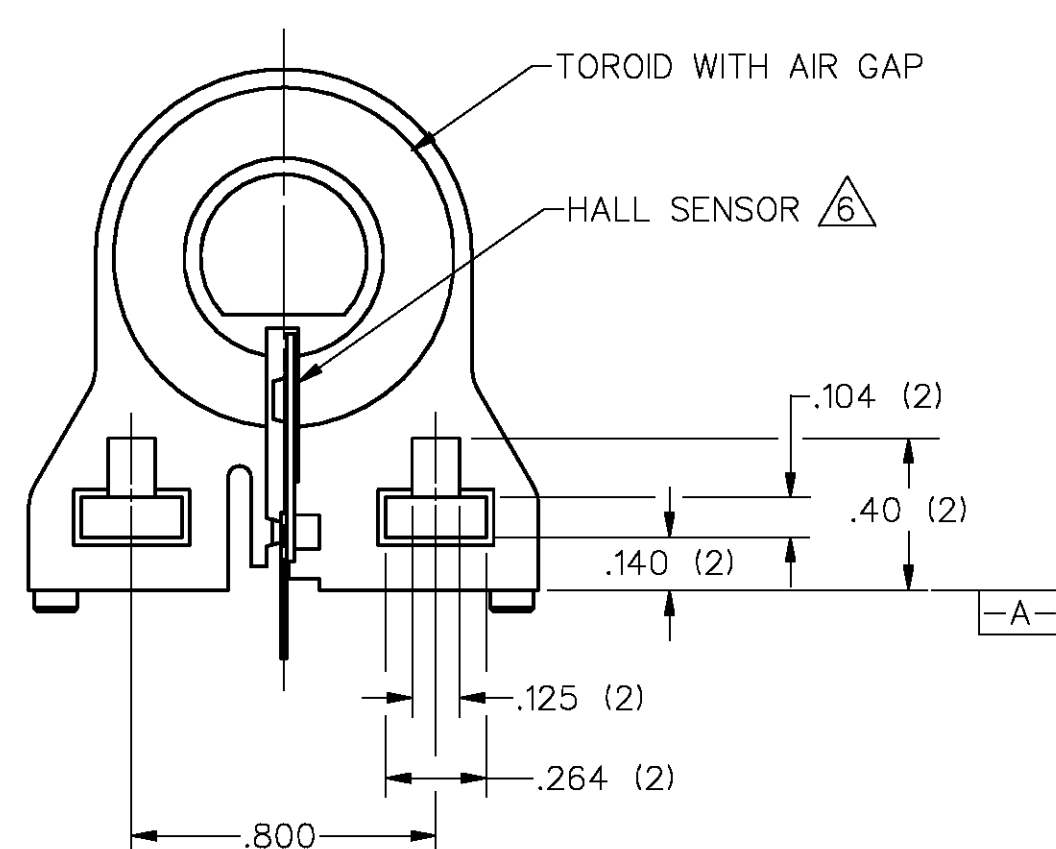
CHARACTERISTICS

PARAMETER	MIN	TYP	MAX	UNITS	CONDITIONS/REMARKS
SUPPLY VOLTAGE	5.4	8.0	13.2	VOLTS	-25°C TO 85°C
SUPPLY CURRENT		13	20	mA	MAX @ -25°C, TYP @ 25°C, V _s = 8.0V, EXCLUDES LOAD
OUTPUT CURRENT	1			mA	SINKING OR SOURCING
OUTPUT VOLTAGE SWING	(-V)+1.25		(+V)-1.25	VOLTS	MAX CLAMPED @ 9.0 VOLTS MIN
SENSITIVITY	29.7		35.7	mV/NI	@ V _s = 8.0 VOLTS & 25°C Δ 5
LINEARITY					DEV FROM STR LINE FROM -I MAX TO +I MAX Δ 1
V _{out} @ \emptyset NI	.5(V _s)-2%		.5(V _s)+2%	VOLTS	25°C
TEMP ERROR - NULL	-.02		+.02	%/°C	-25°C TO 85°C
TEMP ERROR - GAIN	-.06		+.01	5%/°C	-25°C TO 85°C

M CSLA2CD



SUGGESTED HOLE CENTERS
SCALE 4:1



- NOTES
- Δ 1 SUGGESTED I MAX FOR LINEAR OPERATION IS 72 AMPS
 - 2 - RECOMMENDED MOUNTING IS 4-40 SQUARE NUT AND .375 LONG 4-40 SCREW
 - 3 - CONVENTIONAL CURRENT FLOW IN DIRECTION INDICATED WILL CAUSE AN INCREASE IN OUTPUT VOLTAGE
 - 4 - THE DEVICE CANNOT BE DAMAGED BY MAGNETIC OVERDRIVE
 - Δ 5 AT V_s OTHER THAN 8.0 VOLTS, SENSITIVITY = (NUMBER SHOWN) X V_s/8
 - Δ 6 BACKSIDE OF HALL SENSOR IS ELECTRICALLY CONNECTED TO THE "-" TERMINAL

DRAWING NUMBER: CSLA2CD
 ISSUE: 4
 PAGE 1 OF 1
 RELEASE NO. DR-3141-8 REPLACES X83397-CS
 REVISIONS:
 A CO 65790
 J A S 17 JUL 89
 B CO 79248B
 K D R 14 AUG 85
 C CO 95704
 DLM 20 MAR 00
 FORMTEK DRAWN
 JAS 17 JUL 89 CHECK K A G 21 JUL 89
 CHECK



THIS DRAWING COVERS A PROPRIETARY ITEM AND IS THE PROPERTY OF MICRO SWITCH, A DIVISION OF HONEYWELL. THIS DRAWING IS NOT TO BE COPIED OR USED WITHOUT THE APPROVAL OF MICRO SWITCH.

MICRO SWITCH
a Honeywell Division

CURRENT SENSOR

CATALOG LISTING
CSLA2CD

THIRD ANGLE PROJECTION

SCALE 2:1

DO NOT SCALE PRINT

UNLESS OTHERWISE SPECIFIED TOLERANCES ARE

ONE PLACE	(.0)	±.030
TWO PLACES	(.00)	±.015
THREE PLACES	(.000)	±.005
ANGLES		±

WEIGHT

MASTER REDUCED

FED. MFG. CODE 91929