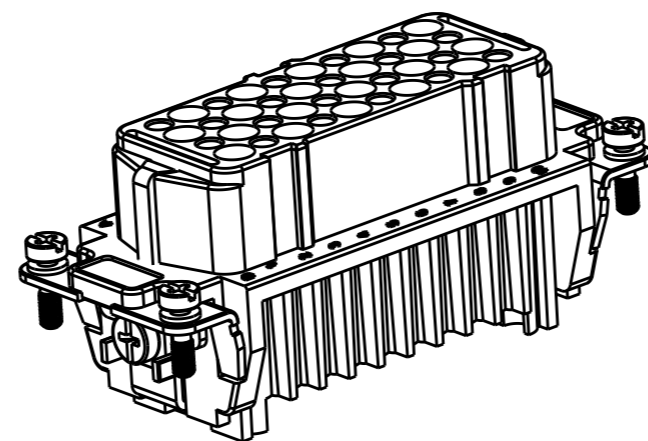
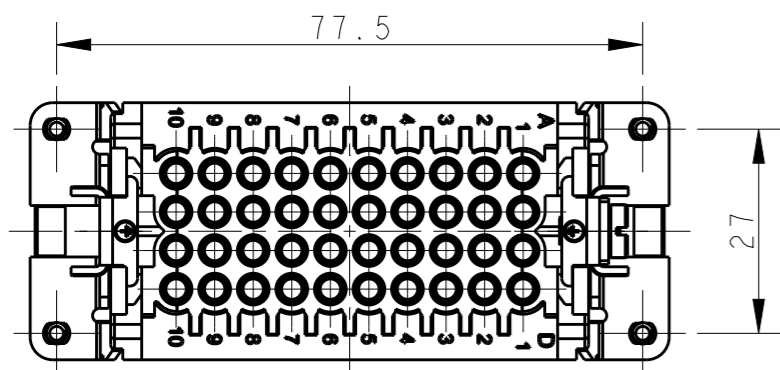
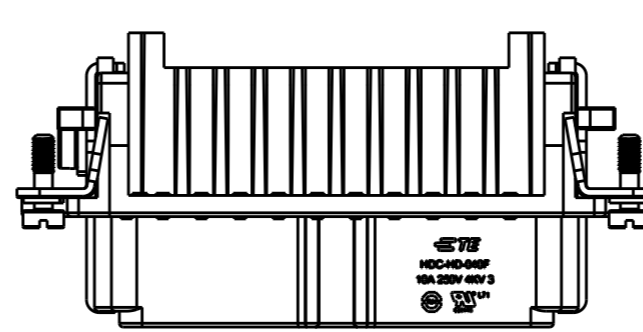
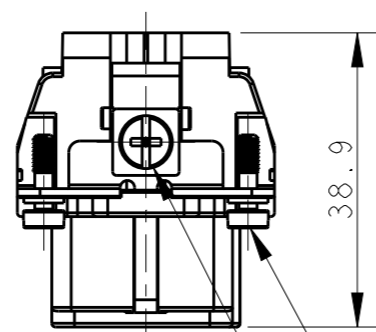
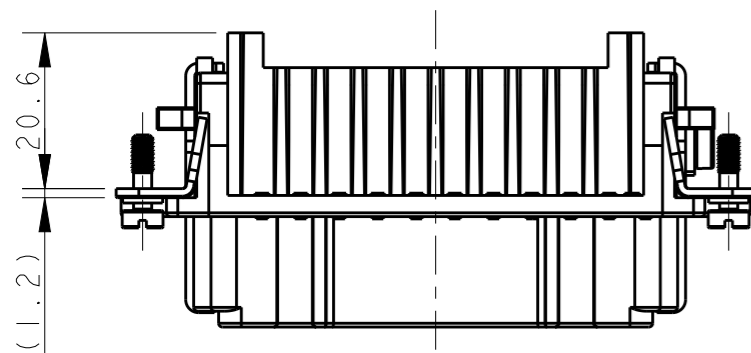


THIS DRAWING IS UNPUBLISHED. RELEASED FOR PUBLICATION 20
 © COPYRIGHT 20 BY - ALL RIGHTS RESERVED.

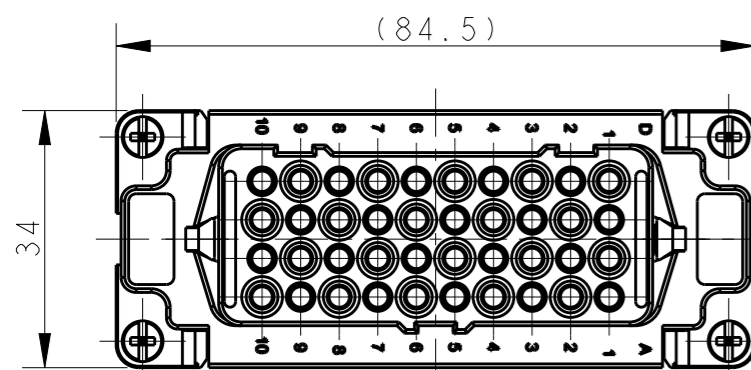
REVISIONS					
P	LTR	DESCRIPTION	DATE	DWN	APVD
A1		ECR-15-010494	14JUL2015	DW	CW
B		ECR-15-013292	24SEP2015	DL	CW
B1		ECR-15-017530	02DEC2015	GY	CW
B2		ECR-16-015492	08NOV2016	QY	CW



- NOTES:
- TECHNICAL CHARACTERISTICS:
 INSULATION MATERIAL: PC
 RATED VOLTAGE: 250 V
 RATED CURRENT: 10 A
 INSULATION RESISTANCE: $\geq 400M\Omega$
 RATED IMPULSE VOLTAGE: 4 KV
 POLLUTION DEGREE: 3
 FLAMMABILITY: UL94V-0
 MATING CYCLES: 500 CYCLES
 WIRE RANGE: 0.14-2.5 mm² (26-14 AWG)
 CONTACT TYPE: CRIMP CONTACT
 - CONTACT NEED TO BE ORDERED SEPARATELY.
 (ORDER No. REFER TO DRAWING: T20200X20XX000)

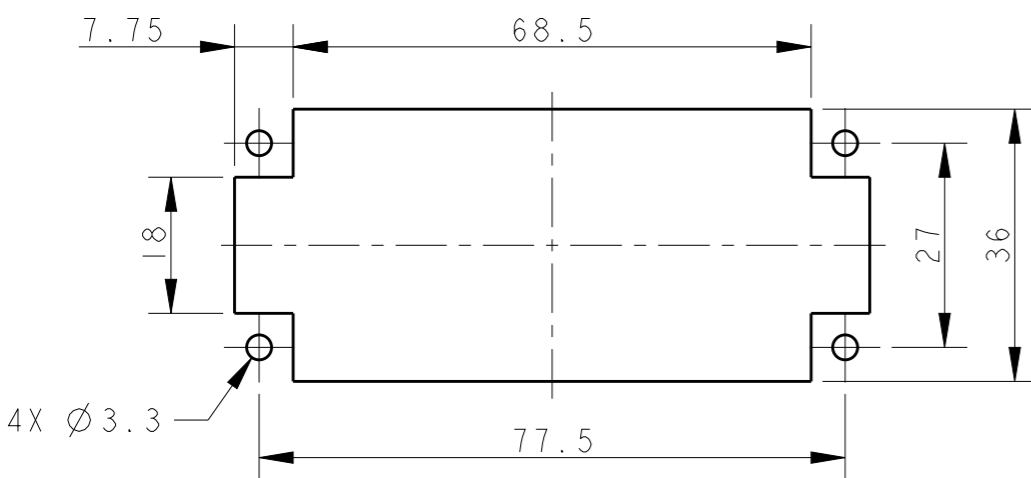


- 注释:
- 技术参数:
 绝缘材料: PC
 额定电压: 250V
 额定电流: 10A
 绝缘电阻: $\geq 400M\Omega$
 额定脉冲电压: 4 KV
 污染等级: 3
 阻燃等级: UL94V-0
 插拔次数: 500次
 接线范围: 0.14-2.5 mm² (26-14 AWG)
 接线类型: 冷压接
 - 端子需要单独订购。
 (订货号参考图面: T20200X20XX000)



4X M3 SCREW RECOMMENDED
 TIGHTENING TORQUE 0.5Nm
 4X M3螺丝, 推荐锁紧力矩0.5Nm

M4 SCREW RECOMMENDED
 TIGHTENING TORQUE 1.2Nm
 M4 螺丝, 推荐锁紧力矩1.2Nm



PANEL CUT OUT FOR INSERTS FOR USE
 WITHOUT HOODS/HOUSINGS
 不用防护外壳时芯件的安装开孔图

TYPE-1, T2020402201-000, TE LOGO
 类型-1, T2020402201-000, TE LOGO

TYPE-2, T2020402201-001, STAINLESS STEEL SCREW, TE LOGO
 类型-2, T2020402201-001, 不锈钢螺丝, TE LOGO

THIS DRAWING IS A CONTROLLED DOCUMENT.		DWN 16DEC2014 RAGHAVENDRA H M		TE Connectivity	
DIMENSIONS: mm		CHK 16DEC2014 CHRIS WANG			
TOLERANCES UNLESS OTHERWISE SPECIFIED:		APVD 16DEC2014 XU XIANG		NAME HD-040-F	
0 PLC ±- 1 PLC ±- 2 PLC ±- 3 PLC ±- 4 PLC ±- ANGLES ±-		PRODUCT SPEC 108-137042		SIZE A3	
MATERIAL		FINISH		CAGE CODE -	
-		-		DRAWING NO T2020402201000	
-		-		RESTRICTED TO -	
-		-		SCALE 1:1	
-		-		SHEET 1 OF 2	
-		-		REV B2	
-		-		Customer Drawing	

4

3

2

1

THIS DRAWING IS UNPUBLISHED.

RELEASED FOR PUBLICATION

20

© COPYRIGHT 20 BY -

ALL RIGHTS RESERVED.

REVISIONS

P	LTR	DESCRIPTION	DATE	DWN	APVD
-		SEE SHEET 1	-	-	-

NOTE:
SEE SHEET 1

注释:
见页 1

TYPE-3, T2020402201-002, STAINLESS STEEL SCREW, NO LOGO
类型-3, T2020402201-002, 不锈钢螺丝, 无LOGO

ALL DIMENSIONS ARE SAME AS TYPE 1,
EXCEPT THOSE DEFINED IN THIS TYPE.
除了在本类型中定义的尺寸外, 其它尺寸同类型 1

T2020402201-002	HD-040-F	HD-040 FEMALE INSERT, STAINLESS STEEL SCREW, NO LOGO HD-040 母插, 不锈钢螺丝, 无LOGO	TYPE-3 类型-3
T2020402201-001	HD-040-F	HD-040 FEMALE INSERT, STAINLESS STEEL SCREW HD-040 母插, 不锈钢螺丝	TYPE-2 类型-2
T2020402201-000	HD-040-F	HD-040 FEMALE INSERT HD-040 母插	TYPE-1 类型-1
PART NUMBER 料号	PART DESCRIPTION 描述		TYPE 类型

THIS DRAWING IS A CONTROLLED DOCUMENT.		DWN 16DEC2014 RAGHAVENDRA H M		
DIMENSIONS: mm		CHK 16DEC2014 CHRIS WANG		
TOLERANCES UNLESS OTHERWISE SPECIFIED:		APVD 16DEC2014 XU XIANG	NAME HD-040-F	
0 PLC ±-		PRODUCT SPEC 108-137042	SIZE A3	
1 PLC ±-		APPLICATION SPEC -	CAGE CODE -	
2 PLC ±-		WEIGHT -	DRAWING NO T2020402201000	
3 PLC ±-		Customer Drawing	RESTRICTED TO -	
4 PLC ±-			SCALE 1:1	
ANGLES ±-			SHEET 2 OF 2	
FINISH -			REV B2	
-				

1470-19 (3/13)