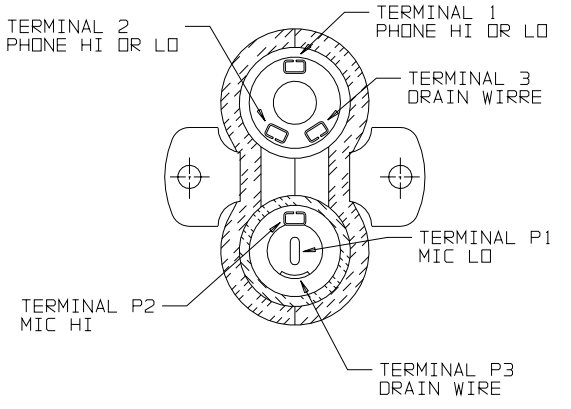
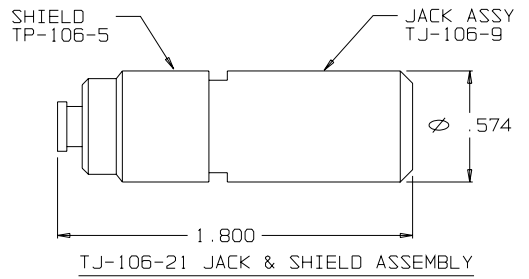
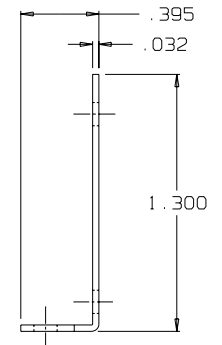
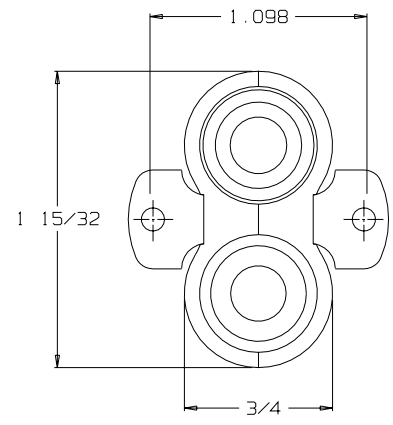
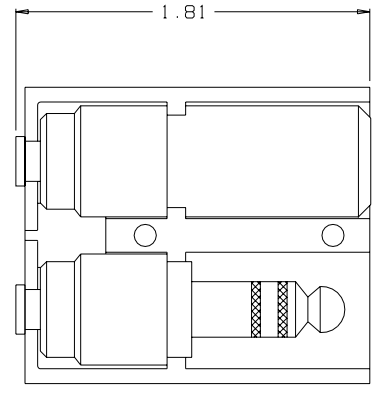


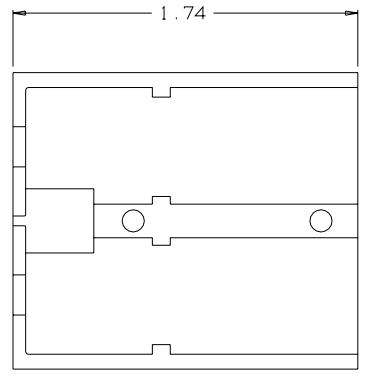
C TJ-106PM



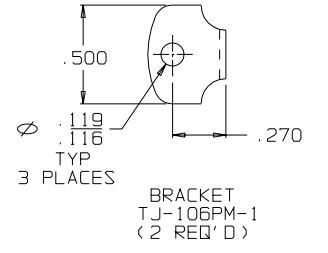
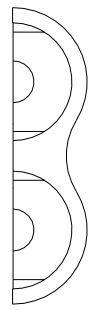
SECTION A-A



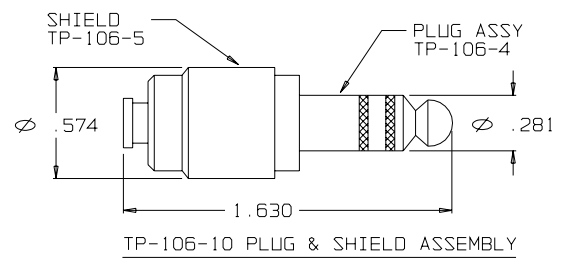
TJ-106-21 JACK & SHIELD ASSEMBLY



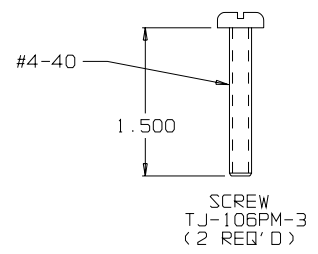
SHELL HALF TJ-106PM-1 (2 REQ'D)



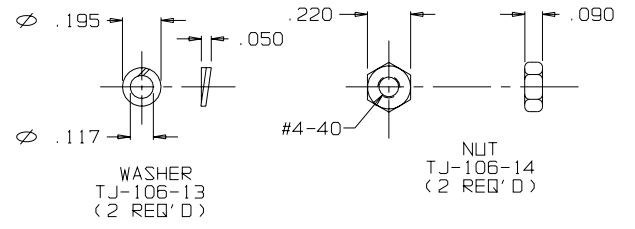
BRACKET TJ-106PM-1 (2 REQ'D)



TP-106-10 PLUG & SHIELD ASSEMBLY

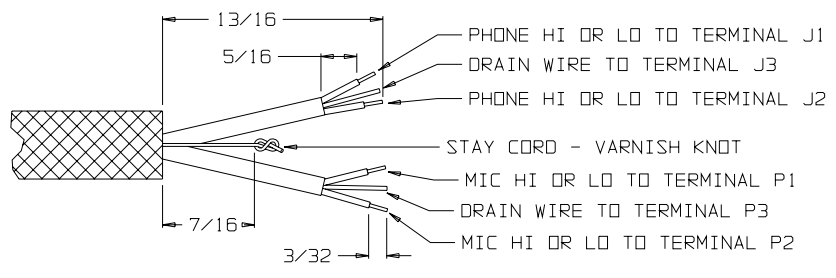


SCREW TJ-106PM-3 (2 REQ'D)



WASHER TJ-106-13 (2 REQ'D)

NUT TJ-106-14 (2 REQ'D)



THIS DOCUMENT CONTAINS PROPRIETARY INFORMATION OF NEXUS, INCORPORATED AND SUCH INFORMATION MAY NOT BE DISCLOSED TO OTHERS FOR ANY PURPOSE OR USED FOR ANY PURPOSE WITHOUT THE WRITTEN CONSENT OF NEXUS.

DWN BY EWT	DATE 12/9/05	MATERIAL SEE FIELD OF DRAWING	
CHECKED BY	DATE	FINISH N/A	
APPR BY	DATE	WEIGHT	SCALE 2:1
UNLESS OTHERWISE SPECIFIED DIMENSIONS ARE IN INCHES TOLERANCES ON		TITLE TELEPHONE JACK PANEL MOUNT 6 CONDUCTOR	
.XX	.XXX	NEXUS STAMFORD, CONN	
± .02	± .003	SIZE C	
ANGLES ± 5°		Dwg. No. TJ-106PM	
LET.	REVISION	DD NOT SCALE DWG.	SHEET 1 OF 1

LET.	REVISION	CN #	DATE	CHK.