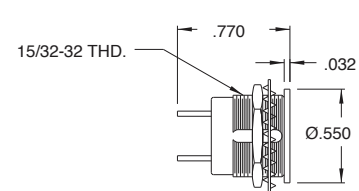
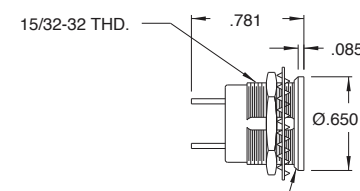
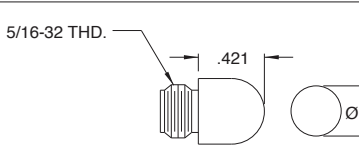
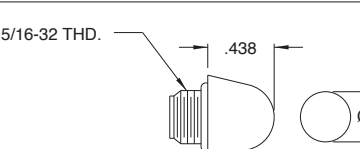


Midget Flange Relampable Indicator Lights

Description and Features

Standard	Watertight
 <p>15/32-32 THD. .770 .032 Ø.550</p> <p>5131-038</p>	 <p>15/32-32 THD. .781 .085 Ø.650</p> <p>O-RING</p> <p>5139-038</p>
 <p>5/16-32 THD. .421 Ø.438</p> <p>131A-30XX</p>	 <p>5/16-32 THD. .438 Ø.578</p> <p>139A-40XX</p>

All dimensions in inches.

The Chicago Miniature Lamp Midget Flange Indicator Lights are versatile, industry standard, front panel indicator lights capable of accepting any T-1 3/4 midget flange base lamp. These high quality indicators provide reliable service in a vast array of commercial and military applications (conforming to MIL-L-3661). Lamps are easily replaced from the front panel. These indicator lights are available in both a standard configuration and a watertight configuration providing reliable status indication in the most demanding of environments. The lamp is not included with this indicator light; please order the required lamp separately.

Specifications

Standard	Watertight	Description
131A-303R	139A-403R	Transparent Red
131A-303A	139A-403A	Transparent Amber
131A-303G	-	Transparent Green
131A-303C	139A-403C	Transparent Clear
131A-304R	139A-404R	Translucent Red
131A-304Y	139A-404Y	Translucent Yellow
131A-304G	139A-404G	Translucent Green
131A-304W	139A-404W	Translucent White

Mounting Hole:	.484, 5131 Type has a keyed flange anti-rotation feature, 5139 Type features a flat "D" hole mounting
Mounting Centers:	.750
Maximum Panel Thickness:	5131 type - .265, 5139 type - .188
Housing/Material:	Black anodized aluminum
Terminals:	Tin plated brass, center contact terminal marked +
Hex Nut:	Chrome treated steel
Lockwasher:	Chrome treated steel
Lens:	High temperature lexan
Lens Shank:	Nickel plated brass
Electrical rating:	up to 30 Volts, up to 2 Watt

Mouser Electronics

Authorized Distributor

Click to View Pricing, Inventory, Delivery & Lifecycle Information:

VCC:

[131A-304R](#) [131A-303A](#) [131A-303C](#) [5139-038](#) [5131-038](#) [131A-303R](#) [131A-304W](#) [139A-403R](#) [139A-404R](#) [139A-404Y](#) [139A-403A](#) [139A-404W](#) [139A-404G](#) [131A-303G](#) [139A-403G](#) [131A-304G](#)