

# RP230 Series

## High Performance Dual Stage Power Line Filters



### 3.5 A to 40 A Chassis Mount Filter

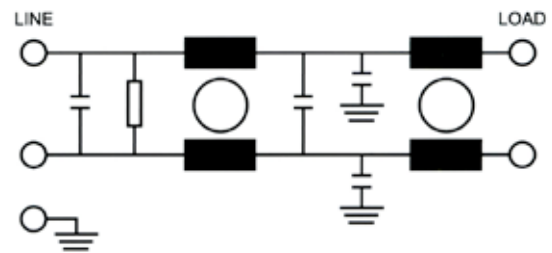
#### Specifications

|                         |                                  |
|-------------------------|----------------------------------|
| Operating Frequency     | 50/60 Hz                         |
| Usable Frequency        | DC -400 Hz                       |
| Max. Operating Voltage* | 250 V +10%                       |
| Ambient Temperature     | -25 to 40°C                      |
| Climatic Category       | 25/100/21                        |
| Hipot Rating (L-G)      | 2700 VDC                         |
| Terminals (-T)          | QD: 0.25 Tabs<br>S: 30/40 A (M4) |
| Safety Approvals        | CSA, UR, EN60939                 |

\*Available up to 300 VAC. Please contact us to verify specifications.



#### Electrical Schematic



#### Part Number/Ordering

| RP230 | -X<br>(Amps) | -Y<br>(Ycap, nF) | -T | Typ. Weight,<br>lbs (kg) |
|-------|--------------|------------------|----|--------------------------|
|       | 3.5          | 0                | QD | 0.7 (0.3)                |
|       | 6.5          | 0.47             | QD | 0.7 (0.3)                |
|       | 20           | 1                | QD | 0.7 (0.3)                |
|       | 30           | 2.2              | S  | 2.6 (1.2)                |
|       | 40           | 4.7              | S  | 3.1 (1.4)                |
|       |              | 10               |    |                          |

**Note:** Use any combination of -Y with any -X (Amps) rating e.g. RP230-40-4.7-S (40 Amps with 4.7 nF Ycap)

#### Leakage Current

| Y-cap, nF | mA,<br>120 V/60 Hz | mA,<br>250 V/60 Hz |
|-----------|--------------------|--------------------|
| 0         | 0.0                | 0.0                |
| 0.47      | 0.04               | 0.08               |
| 1         | 0.09               | 0.18               |
| 2.2       | 0.2                | 0.4                |
| 4.7       | 0.4                | 0.8                |
| 10        | 0.9                | 1.8                |

Specifications are subject to change. Consult factory to verify specifications.

For more information on our filter products call us at: (800) 527-4362 or (714) 289-0055  
LCR, Radius Power, and Filter Concepts are now part of Astrodyne TDI

# RP230 Series

## High Performance Dual Stage Power Line Filters



### 3.5 A to 40 A Chassis Mount Filter

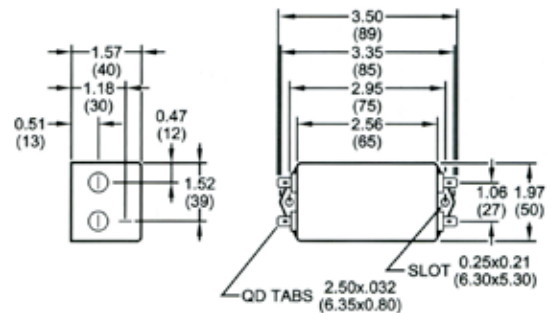
#### Typical Insertion Loss, dB (50/50 Ohm)

| Freq (MHz)     | 0.15 | 0.5 | 1.0 | 10 | 30 |
|----------------|------|-----|-----|----|----|
| <b>3.5 Amp</b> |      |     |     |    |    |
| CM(dB)         | 60   | 62  | 62  | 52 | 45 |
| DM(dB)         | 40   | 60  | 68  | 60 | 60 |
| <b>6.5 Amp</b> |      |     |     |    |    |
| CM(dB)         | 60   | 62  | 62  | 50 | 40 |
| DM(dB)         | 40   | 60  | 68  | 60 | 60 |
| <b>20 Amp</b>  |      |     |     |    |    |
| CM(dB)         | 24   | 46  | 50  | 60 | 60 |
| DM(dB)         | 25   | 40  | 60  | 65 | 65 |
| <b>30 Amp</b>  |      |     |     |    |    |
| CM(dB)         | 42   | 50  | 55  | 65 | 60 |
| DM(dB)         | 60   | 60  | 65  | 65 | 65 |
| <b>40 Amp</b>  |      |     |     |    |    |
| CM(dB)         | 28   | 44  | 55  | 60 | 60 |
| DM(dB)         | 50   | 52  | 65  | 65 | 65 |

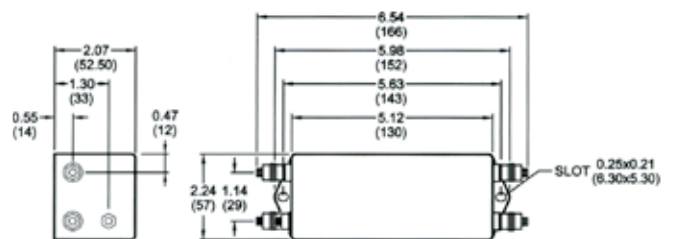
#### Mechanical Dimensions

TYPICAL TOLERANCE: +/-0.02" (0.50 mm)

##### 3.5/6.5/20 Amp



##### 30/40 Amp



Specifications are subject to change. Consult factory to verify specifications.

For more information on our filter products call us at: (800) 527-4362 or (714) 289-0055  
LCR, Radius Power, and Filter Concepts are now part of Astrodyne TDI