

MICRO SWITCH
a Honeywell Division

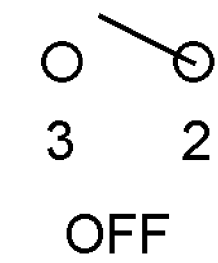
FED. MFG. CODE 91929

SWITCH - TOGGLE

CATALOG LISTING
11TW1-261

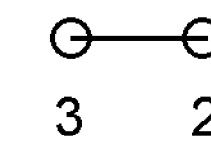
CIRCUIT MADE WITH TOGGLE LEVER IN

CENTER

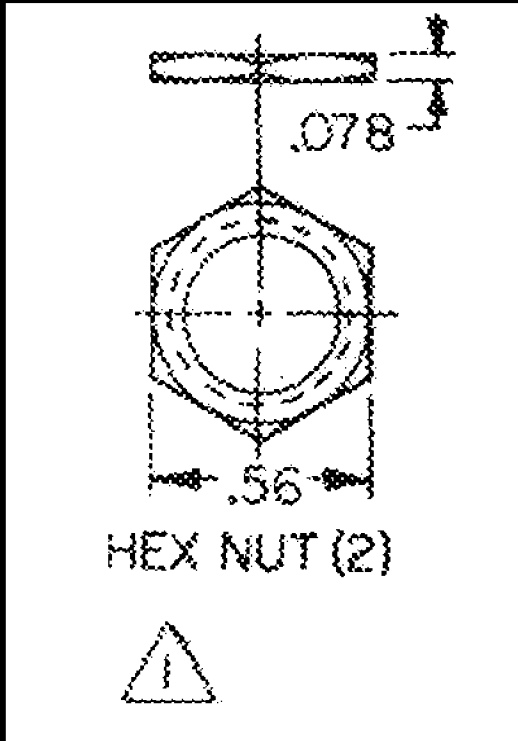
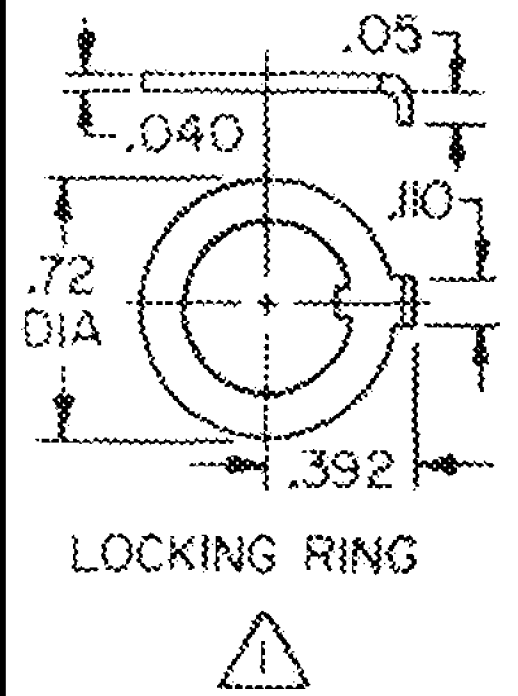
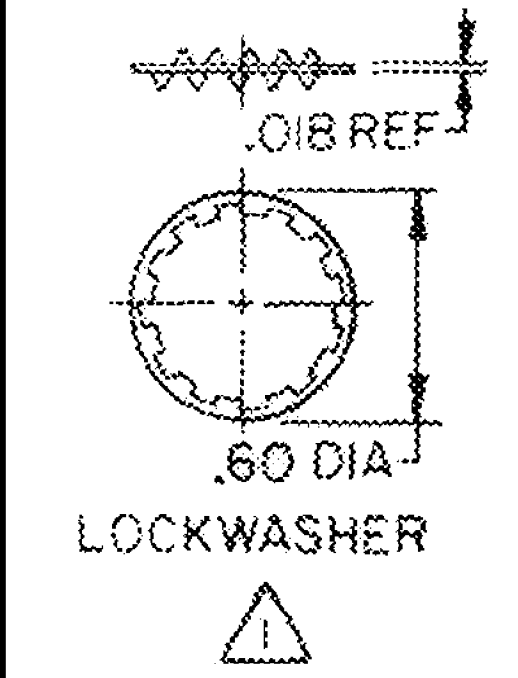
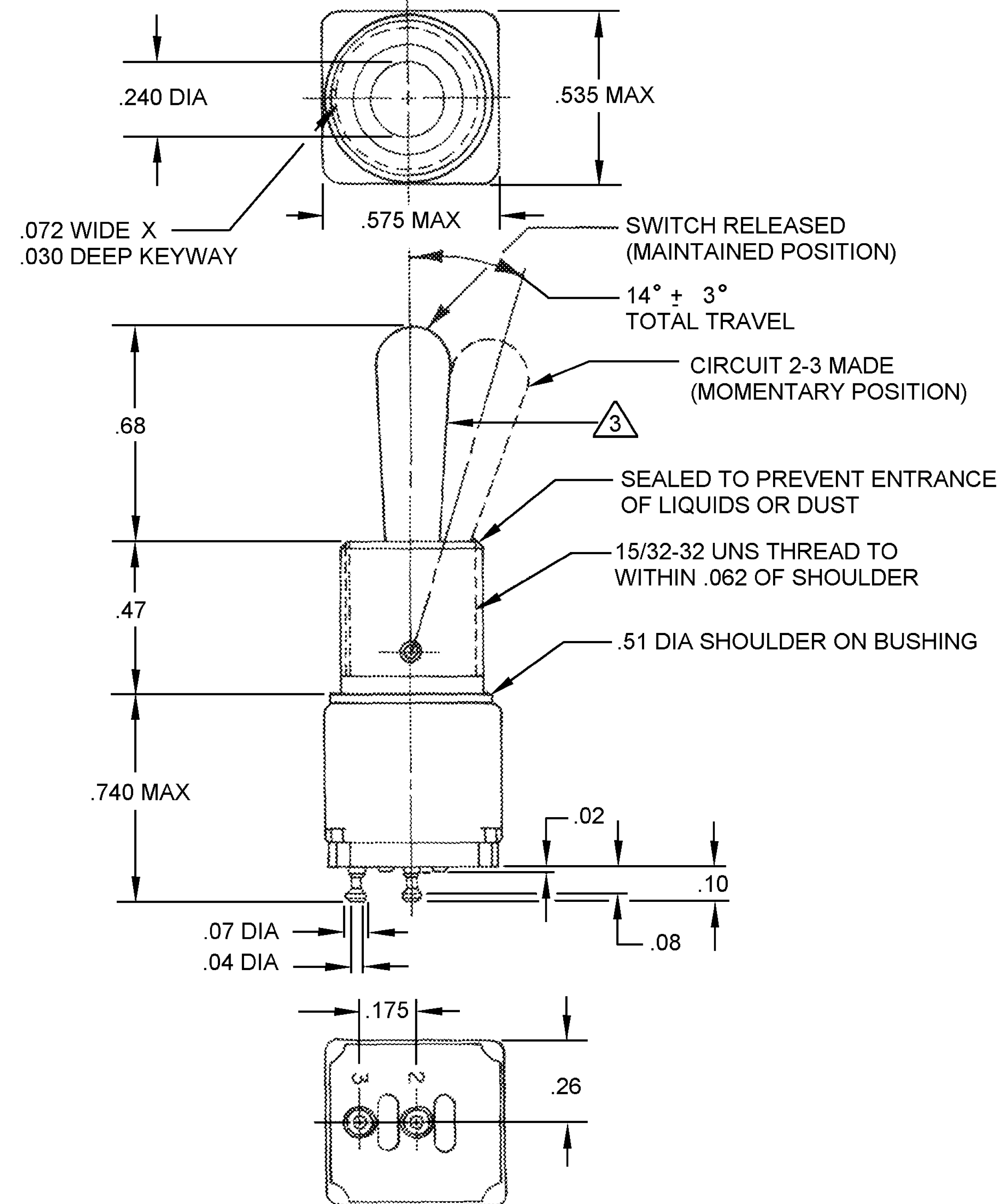


OFF

OPPOSITE KEYWAY



ON



CATALOG LISTING
11TW1-261
 PAGE 1 OF 1
 REPLACES PR-8397-T
 RELEASE NO.
 ISSUE **M**
10
 REVISIONS
 A 204937 18 JUN 08
 CSL 1 MAR 02
 B 0007584 18 JUN 08
 TCC-AP 31 AUG 04
 C 0040821 18 JUN 08
 NR
 CHECK CMH
 S A V
 1 MAR 02
 CHECK
 1 MAR 02
 RASTER DRAWN
 CSL 1 MAR 02

THIS DRAWING COVERS A PROPRIETARY ITEM AND IS THE PROPERTY OF MICRO SWITCH, A DIVISION OF HONEYWELL. THIS DRAWING IS NOT TO BE COPIED OR USED WITHOUT THE APPROVAL OF MICRO SWITCH

THIRD ANGLE PROJECTION	
SCALE	2:1
DO NOT SCALE PRINT	
UNLESS OTHERWISE SPECIFIED TOLERANCES ARE	
ONE PLACE	(.0) ±.030
TWO PLACE	(.00) ±.015
THREE PLACE	(.000) ±.005
ANGLES	±
WEIGHT	.025 LB MAX

CHARACTERISTICS	ELECTRICAL DATA
	CONTACT ARRANGEMENT
	L117 5A 125 VAC

- NOTES**
- ① FURNISHED UNASSEMBLED
 - ② - TERMINALS ARE PLATED FOR SOLDERING
 - ③ MATTE FINISH