

## Panel Mount Lenses for T-1 (3mm) LEDs

### Description and Features

#### Series 4351 thru 4357

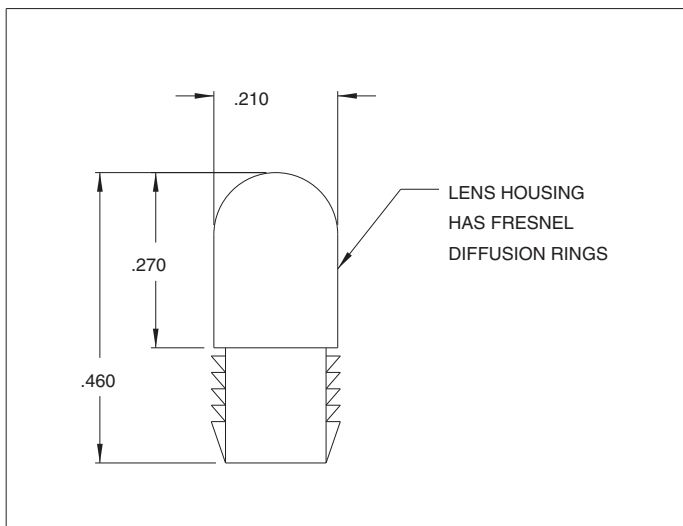
- Attractive snap-in panel lenses provide wide-angle viewing plus mechanical security and electrostatic discharge protection. Ideal for use with T-1 LEDs such as 4303F series.

Material: Polycarbonate

Mounting Hole: Snap into Ø.187-.192 hole in panels  
.020-.097 thick.

MODEL	LENS COLOR
4351	Red
4352	Clear
4353	Amber
-	White
4355	Green
-	Blue
4357	Yellow

### Outline Dimensions



All dimensions in inches.