

6

5

4

3

2

1

E

E

D

D

C

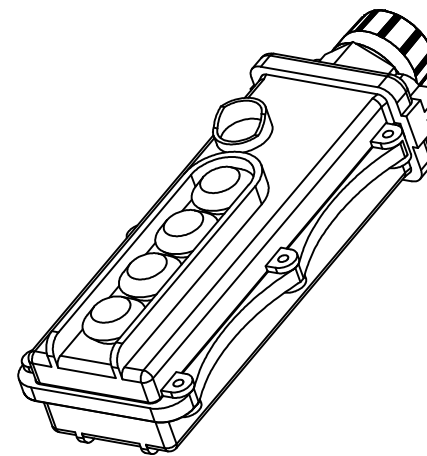
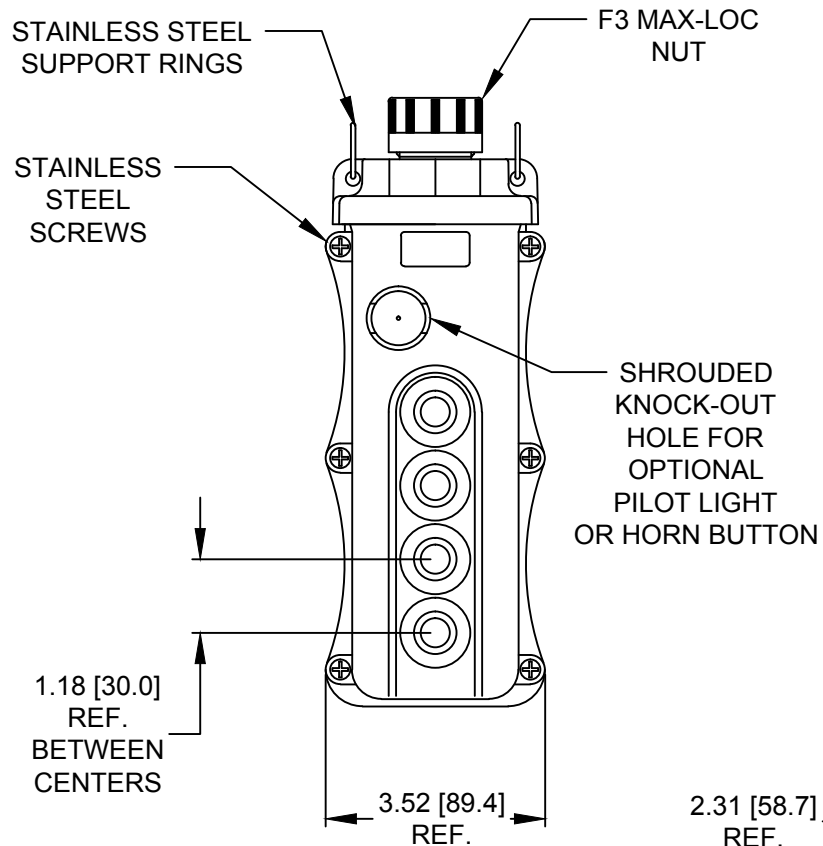
C

B

B

A

A



ORDER NO.	WOODHEAD NO.	SPEED SWITCHES
1301260249	5054-1M*	1
1301260252	5054-2M*	2
1301260255	5054-3M*	3
1301260248	5054-1	1
1301260251	5054-2	2
1301260254	5054-3	3
1301260250	5054-1N*	1
1301260253	5054-2N*	2
-----	5054-3N*	3

\*M = WITH MOMENTARY ON/OFF SWITCHES  
 N = WITH MAINTAINED ON/OFF SWITCHES

NOTES:

- PENDANT HOUSING: POLYCARBONATE
- COMMON CIRCUIT IS PRE-WIRED ON ALL SWITCHES TO SIMPLIFY WIRING
- EASILY REMOVABLE BUTTON HOODS AND NAMEPLATES
- CORD DIAMETER: .375 TO .812 [9.53 TO 20.63]
- UL FILE NO.:E70531
- INSTALLATION INSTRUCTIONS, BUTTON ID, AND LABELS ARE PACKED WITH PART
- ALL BUTTONS ARE HIGH AMBIENT, CHEMICALLY RESISTANT MATERIAL

RELEASE SALES DRAWING EC NO: IPC2016-0371 DRWN: KCOX01 2015/09/04 CHKD: HKNEELAN 2015/09/04 APPR: JFMURPHY 2015/09/29	DESCRIPTION REV	QUALITY SYMBOLS	GENERAL TOLERANCES (UNLESS SPECIFIED)		DIMENSION STYLE	SCALE	DESIGN UNITS	THIRD ANGLE PROJECTION		
		$\nabla=0$ $\nabla C=0$	mm	INCH	INCH/MM	NTS	INCH	TITLE <b>4 POSITION WATERTITE PLASTIC PENDANT STATION</b> <b>MOLEX INCORPORATED</b>		
		4 PLACES ±--- ±--- 3 PLACES ±--- ±.005 2 PLACES ±.13 ±.010 1 PLACE ±.25 ±.020	ANGULAR ±1/2°		DRAWN BY DATE KCOX01 2015/09/04 CHECKED BY DATE HKNEELAN 2015/09/04 APPROVED BY DATE JFMURPHY 2015/09/29	MATERIAL NO. <b>SEE TABLE</b>	DOCUMENT NO. <b>SD-130126-070</b>			
		DRAFT WHERE APPLICABLE MUST REMAIN WITHIN DIMENSIONS	SIZE <b>A</b>	THIS DRAWING CONTAINS INFORMATION THAT IS PROPRIETARY TO MOLEX INCORPORATED AND SHOULD NOT BE USED WITHOUT WRITTEN PERMISSION						