

THIS DRAWING IS UNPUBLISHED.

RELEASED FOR PUBLICATION

20

© COPYRIGHT 20 BY -

ALL RIGHTS RESERVED.

REVISIONS

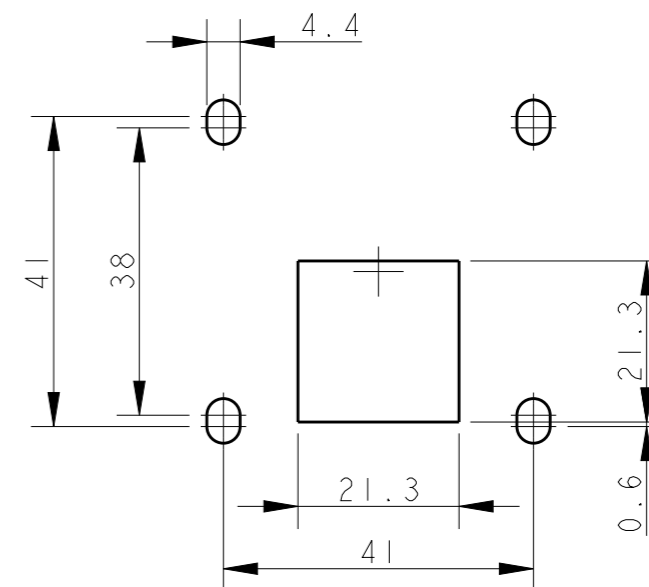
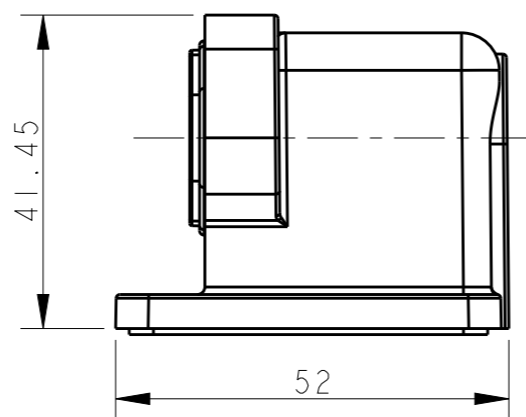
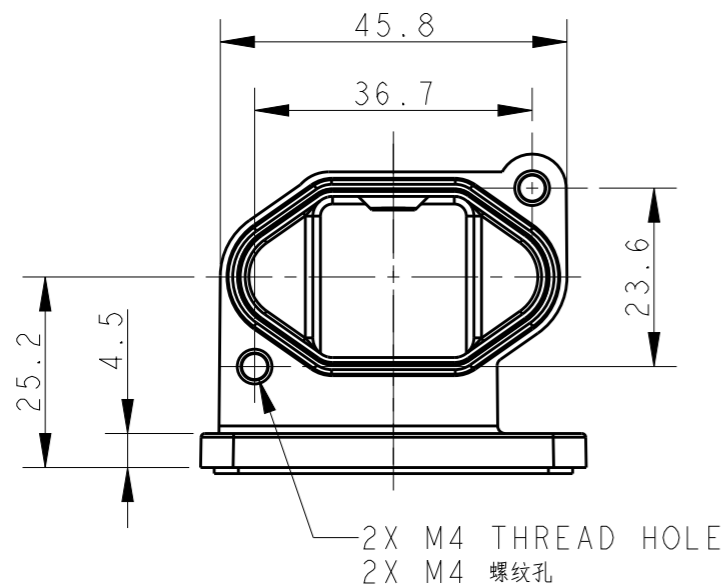
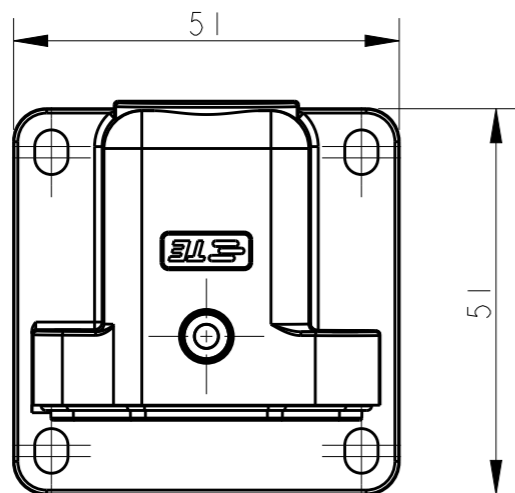
P	LTR	DESCRIPTION	DATE	DWN	APVD
	A	INITIAL RELEASE	27MAY2015	DL	CW
	A1	ECR-17-011766	15AUG2017	OY	CW

NOTES:

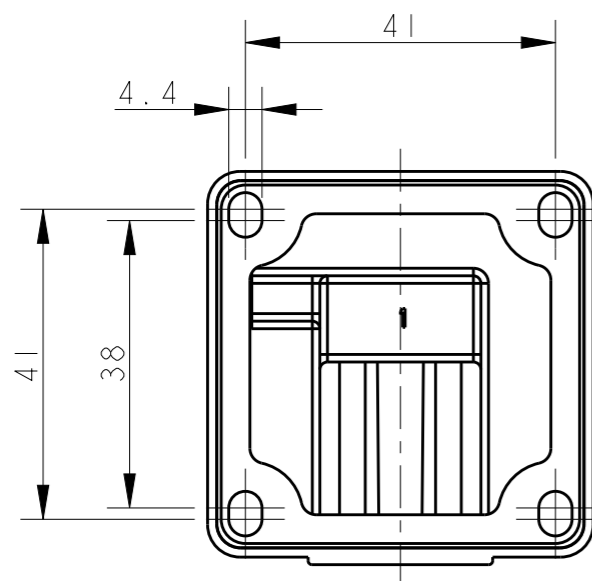
- 1. TECHNICAL CHARACTERISTICS:  
 BODY MATERIAL: DIE CAST ALUMINIUM ALLOY  
 SURFACE TREATMENT: POWDER-COATED  
 DEGREE OF PROTECTION: IP65 (MATED)


注释:

- 1. 技术参数:  
 主体材料: 铝合金  
 表面处理: 粉末喷涂  
 防护等级: IP65(配合)



RECOMMENDED PANEL CUT OUT DIMENSIONS  
 推荐面板开孔尺寸



THIS DRAWING IS A CONTROLLED DOCUMENT.		DWN DAVID LI 27MAY2015	 TE Connectivity			
DIMENSIONS: mm		CHK CHRIS WANG 27MAY2015				
TOLERANCES UNLESS OTHERWISE SPECIFIED:		APVD XU XIANG 27MAY2015				
0 PLC ±- 1 PLC ±- 2 PLC ±- 3 PLC ±- 4 PLC ±- ANGLES ±-		NAME H3APR-MAGS				
MATERIAL		PRODUCT SPEC 108-137011	SIZE A3	CAGE CODE -	DRAWING NO C-T194603X000000	RESTRICTED TO -
FINISH		APPLICATION SPEC 114-137011	SCALE 1:1		SHEET 1 OF 2	REV A1
		WEIGHT -	CUSTOMER DRAWING			

THIS DRAWING IS UNPUBLISHED.

RELEASED FOR PUBLICATION

20

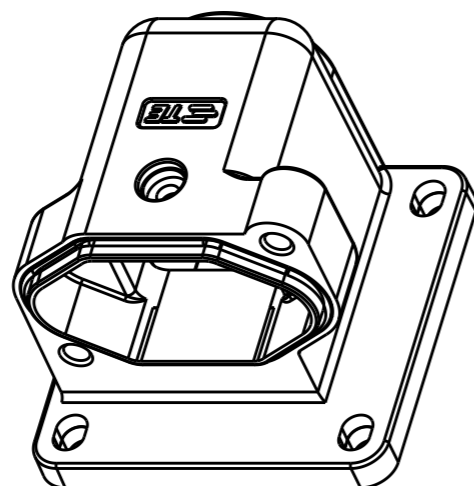
© COPYRIGHT 20 BY -

ALL RIGHTS RESERVED.

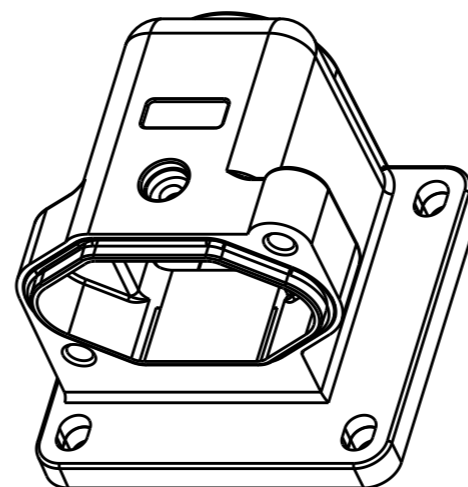
REVISIONS

P	LTR	DESCRIPTION	DATE	DWN	APVD
	-	SEE SHEET 1	-	-	-

NOTES:  
SEE SHEET 1



TYPE-1:TE LOGO  
类型-1:TE LOGO



TYPE-2:NO LOGO,ALL THE DIMENSIONS ARE THE SAME WITH  
TYPE-1,EXCEPT LOGO.  
类型-2:无 LOGO,除了LOGO所有的尺寸与类型-1一致.

PART NUMBER 料号	H3APR-MAGS	PART DESCRIPTION 描述	TYPE 类型
T1946032000-001	H3APR-MAGS	H3APR HOUSING,QUADRANGLED INNER-HEX SCREW LOCKING,BULKHEAD MOUNTED,RIGHT ANGLED,POWDER COATED,DEEP GREY,NO LOGO, H3ARP下壳,内六角螺丝四角锁定,开孔安装,弯角,深灰色粉末喷涂,无LOGO	TYPE-2 类型-2
T1946030000-000	H3APR-MAGS	H3APR HOUSING,QUADRANGLED INNER-HEX SCREW LOCKING, BULKHEAD MOUNTED,RIGHT ANGLED,POWDER COATED,BLACK H3ARP下壳,内六角螺丝四角锁定,开孔安装,弯角,黑色粉末喷涂	TYPE-1 类型-1
T1946031000-000	H3APR-MAGS	H3APR HOUSING,QUADRANGLED INNER-HEX SCREW LOCKING, BULKHEAD MOUNTED,RIGHT ANGLED,POWDER COATED,SILVER WHITE H3ARP下壳,内六角螺丝四角锁定,开孔安装,弯角,银白色粉末喷	
T1946032000-000	H3APR-MAGS	H3APR HOUSING,QUADRANGLED INNER-HEX SCREW LOCKING, BULKHEAD MOUNTED,RIGHT ANGLED,POWDER COATED,GREY H3ARP下壳,内六角螺丝四角锁定,开孔安装,弯角,灰色粉末喷涂	

THIS DRAWING IS A CONTROLLED DOCUMENT.

DWN 27MAY2015  
DAVID LI

CHK 27MAY2015  
CHRIS WANG

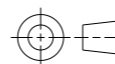
APVD 27MAY2015  
XU XIANG

NAME  
H3APR-MAGS

**STE** TE Connectivity

DIMENSIONS:

mm



TOLERANCES UNLESS OTHERWISE SPECIFIED:

- 0 PLC ±-
- 1 PLC ±-
- 2 PLC ±-
- 3 PLC ±-
- 4 PLC ±-
- ANGLES ±-

PRODUCT SPEC  
108-137011

APPLICATION SPEC  
114-137011

WEIGHT -

SIZE CAGE CODE DRAWING NO RESTRICTED TO

A3 - ©T194603X000000 -

CUSTOMER DRAWING

SCALE 1:1 SHEET 2 OF 2 REV A1