

THIS DRAWING IS UNPUBLISHED.

RELEASED FOR PUBLICATION

20

© COPYRIGHT 20 BY -

ALL RIGHTS RESERVED.

REVISIONS

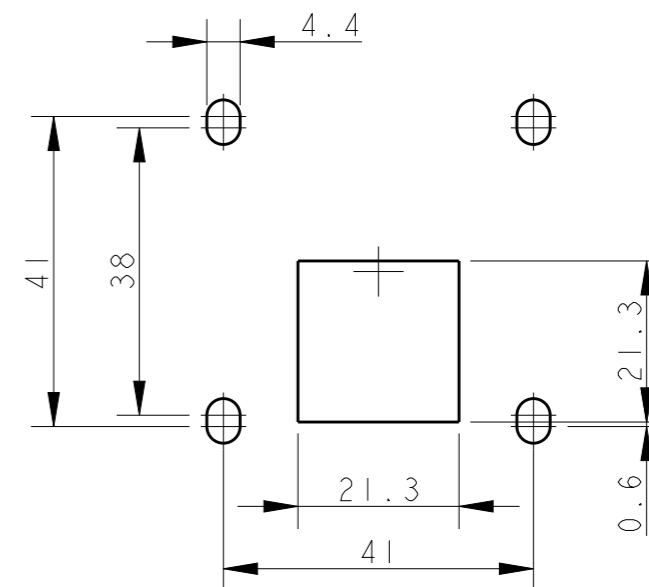
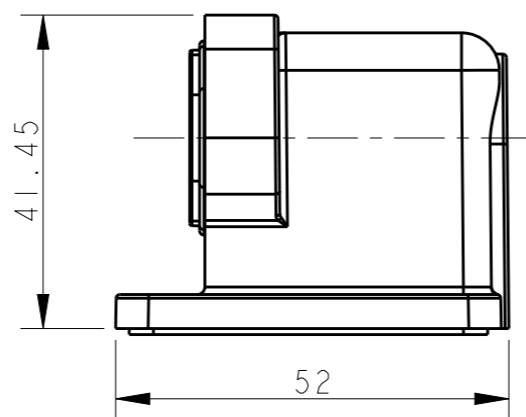
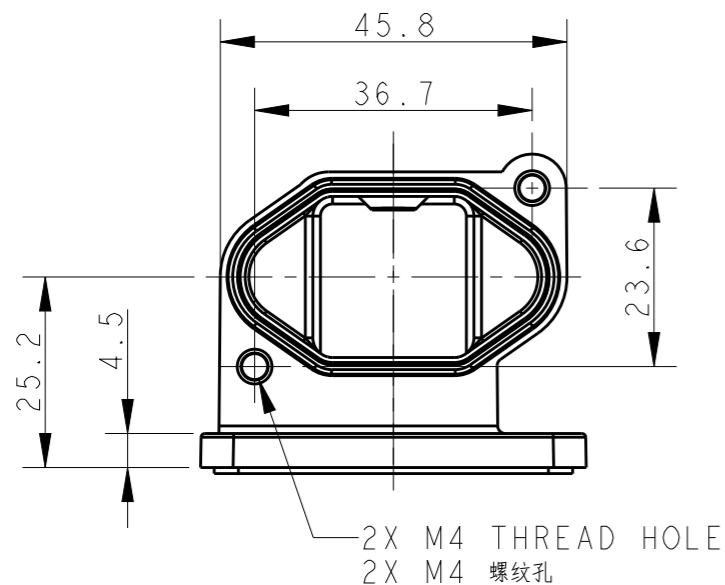
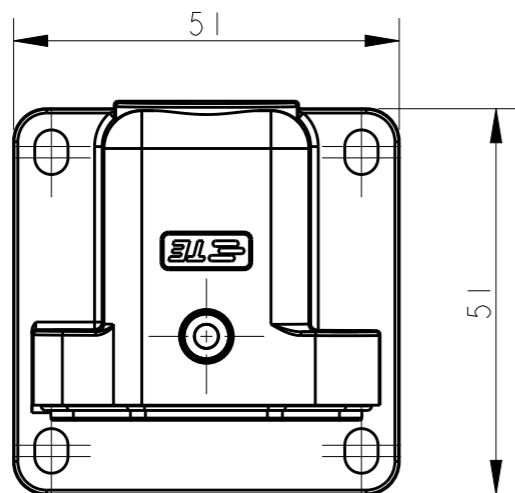
P	LTR	DESCRIPTION	DATE	DWN	APVD
	A	INITIAL RELEASE	27MAY2015	DL	CW
	A1	ECR-17-011766	15AUG2017	OY	CW

NOTES:

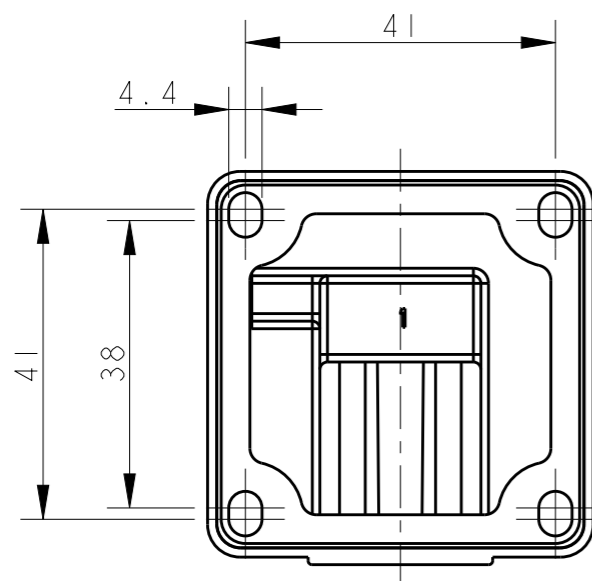
- 1. TECHNICAL CHARACTERISTICS:
 BODY MATERIAL: DIE CAST ALUMINIUM ALLOY
 SURFACE TREATMENT: POWDER-COATED
 DEGREE OF PROTECTION: IP65 (MATED)


注释:

- 1. 技术参数:
 主体材料: 铝合金
 表面处理: 粉末喷涂
 防护等级: IP65(配合)



RECOMMENDED PANEL CUT OUT DIMENSIONS
 推荐面板开孔尺寸



THIS DRAWING IS A CONTROLLED DOCUMENT.		DWN DAVID LI 27MAY2015	 TE Connectivity	
DIMENSIONS: mm		CHK CHRIS WANG 27MAY2015		
TOLERANCES UNLESS OTHERWISE SPECIFIED:		APVD XU XIANG 27MAY2015	NAME H3APR-MAGS	
0 PLC ±-		PRODUCT SPEC 108-137011	SIZE A3	
1 PLC ±-		APPLICATION SPEC 114-137011	CAGE CODE -	DRAWING NO C-T194603X000000
2 PLC ±-		WEIGHT -	RESTRICTED TO -	
3 PLC ±-		MATERIAL -	SCALE 1:1	
4 PLC ±-			SHEET 1 OF 2	
ANGLES ±-		CUSTOMER DRAWING		REV A1
FINISH -				

THIS DRAWING IS UNPUBLISHED.

RELEASED FOR PUBLICATION

20

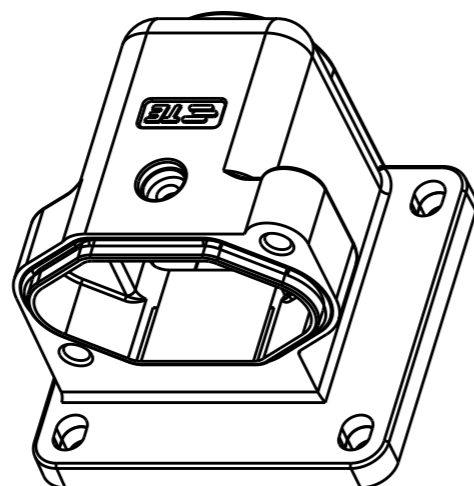
© COPYRIGHT 20 BY -

ALL RIGHTS RESERVED.

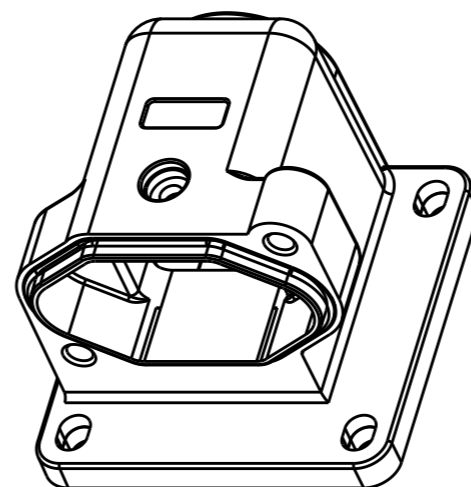
REVISIONS

P	LTR	DESCRIPTION	DATE	DWN	APVD
	-	SEE SHEET 1	-	-	-

NOTES:
SEE SHEET 1



TYPE-1:TE LOGO
类型-1:TE LOGO



TYPE-2:NO LOGO,ALL THE DIMENSIONS ARE THE SAME WITH
TYPE-1,EXCEPT LOGO.
类型-2:无 LOGO,除了LOGO所有的尺寸与类型-1一致.

T1946032000-001	H3APR-MAGS	H3APR HOUSING,QUADRANGLED INNER-HEX SCREW LOCKING,BULKHEAD MOUNTED,RIGHT ANGLED,POWDER COATED,DEEP GREY,NO LOGO, H3ARP下壳,内六角螺丝四角锁定,开孔安装,弯角,深灰色粉末喷涂,无LOGO	TYPE-2 类型-2
T1946030000-000	H3APR-MAGS	H3APR HOUSING,QUADRANGLED INNER-HEX SCREW LOCKING, BULKHEAD MOUNTED,RIGHT ANGLED,POWDER COATED,BLACK H3ARP下壳,内六角螺丝四角锁定,开孔安装,弯角,黑色粉末喷涂	TYPE-1 类型-1
T1946031000-000	H3APR-MAGS	H3APR HOUSING,QUADRANGLED INNER-HEX SCREW LOCKING, BULKHEAD MOUNTED,RIGHT ANGLED,POWDER COATED,SILVER WHITE H3ARP下壳,内六角螺丝四角锁定,开孔安装,弯角,银白色粉末喷	
T1946032000-000	H3APR-MAGS	H3APR HOUSING,QUADRANGLED INNER-HEX SCREW LOCKING, BULKHEAD MOUNTED,RIGHT ANGLED,POWDER COATED,GREY H3ARP下壳,内六角螺丝四角锁定,开孔安装,弯角,灰色粉末喷涂	
PART NUMBER 料号	PART DESCRIPTION 描述		TYPE 类型

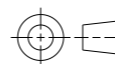
THIS DRAWING IS A CONTROLLED DOCUMENT.

DWN 27MAY2015
DAVID LI
CHK 27MAY2015
CHRIS WANG
APVD 27MAY2015
XU XIANG

TE TE Connectivity

DIMENSIONS:

mm



TOLERANCES UNLESS OTHERWISE SPECIFIED:

0 PLC ±-
1 PLC ±-
2 PLC ±-
3 PLC ±-
4 PLC ±-
ANGLES ±-

MATERIAL

FINISH

PRODUCT SPEC

108-137011

APPLICATION SPEC

114-137011

WEIGHT

-

NAME

H3APR-MAGS

SIZE

A3

CAGE CODE

-

DRAWING NO

©-T194603X000000

RESTRICTED TO

-

CUSTOMER DRAWING

SCALE

1:1

SHEET

2 OF 2

REV

A1