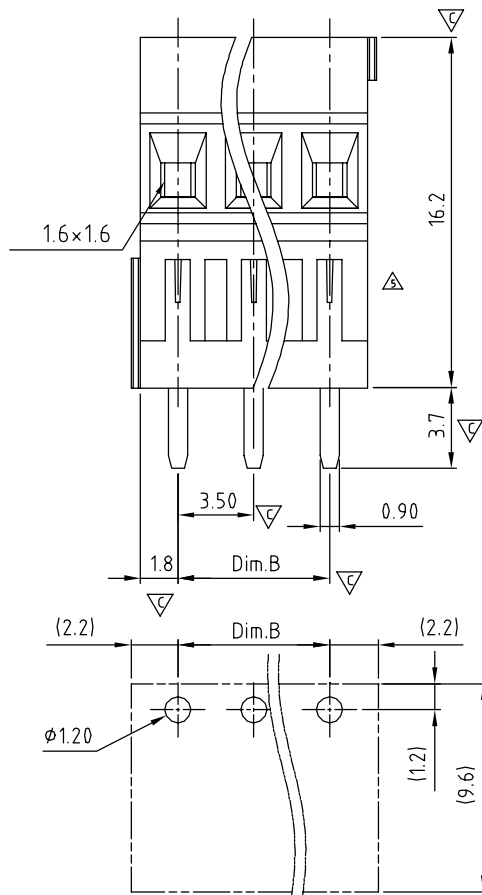


Dimension A&B

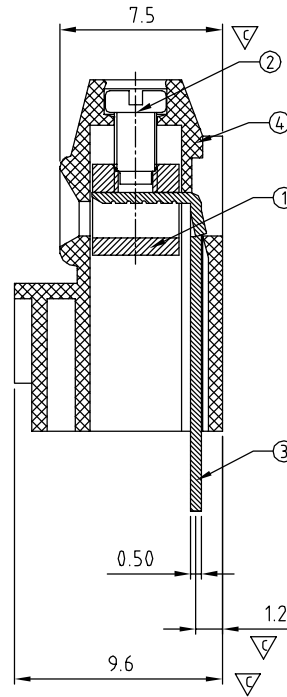
Dim.A	N×3.5
Dim.B	(N-1)×3.5

N=Number of poles

Poles	A&B Tolerance
2P-5P	+0.15/-0.15
6P-10P	+0.20/-0.20
11P-16P	+0.30/-0.30
17P-24P	+0.40/-0.40



P.C.B. LAYOUT
TOP VIEW



SIGN	DATE	DESCRIPTION	APPROVER
△	01/18/07	Soldering temperature changed from 245° to 250°	tason
△	01/18/07	Part NO Changed	tason
△	04/21/09	Explanation changed.	Eris
△	04/21/09	Dimension allowance.	Eris
△	12/26/12	Update the drawing	Guoxue
△	12/26/12	Soldering temperature is changed from 250°C±10°C/5 Sec to 260°C±5°C/5 Sec	Guoxue
△	12/26/12	Change the dimensional tolerance	Guoxue

THIS IS CAD DRAWING, DO NOT REVISE MANUALL Y!!!

Material

- Item 1 Clamp : Brass , Ni plated
- Item 2 Terminal screw: Steel Zinc plating "--" slot type
- Item 3 Wire guard solder pin : Brass ,Tin plated
- Item 4 Terminal housing : Thermoplastic (UL94V-0)

Electrical

- △ ● Voltage rating: 300VAC
- Current rating: 10A
- Wire range:
 - Solid wire(AWG): 16-24
 - Stranded wire(AWG): 16-24
- Torque(Lb-In): 1.7
- Screw: M2
- Wire strip length: 5-6mm
- Withstanding Voltage: 1.6KV
- △ ● Operating temperature: -40°C to +115°C
- △ ● Soldering temperature: 260°C±5°C/5 Sec
- Safety Approval : us
- Critical dimension: ▽

△ YP xx 01x 0 xxxx G

02 2 POLES	0 Black	G RoHS compliant (lead<4%) In copper Alloy
03 3 POLES	5 Green	0000 "@Logo (Standard)
... ..	(RAL 6018/T)	000A:"ANYTEK"Logo
24 24 POLES	6 Blue	Any special item by customer request
	8 Grey	please contact sales department
	(RAL 7035/D)	

ANYTEK				CUSTOMER COPY			
ALL RIGHTS RESERVED. REPRODUCTION OR ISSUE TO THIRD PARTIES IN ANY FORM WHATSOEVER IS NOT PERMITTED WITHOUT WRITTEN AUTHORITY FROM THE PROPRIETOR. PROPERTY OF ANYTEK TECHNOLOGY CO., LTD							
TITLE		YP 3.5 Series 2p-24p					
PART NO.		YPxx01x0xxxxG			DWG NO.		8YP0001
APPROVED		DESIGNED	DRAWN	CUST NO.		Tolerance	
		Guoxue 2012.12.26	Guoxue 2012.12.26			X. ±0.50	
						UNIT: mm	
						SCALE: NONE	
				SHEET: 01/01		REV.: G	
						X.XX ±0.10	
						X° ±1°	