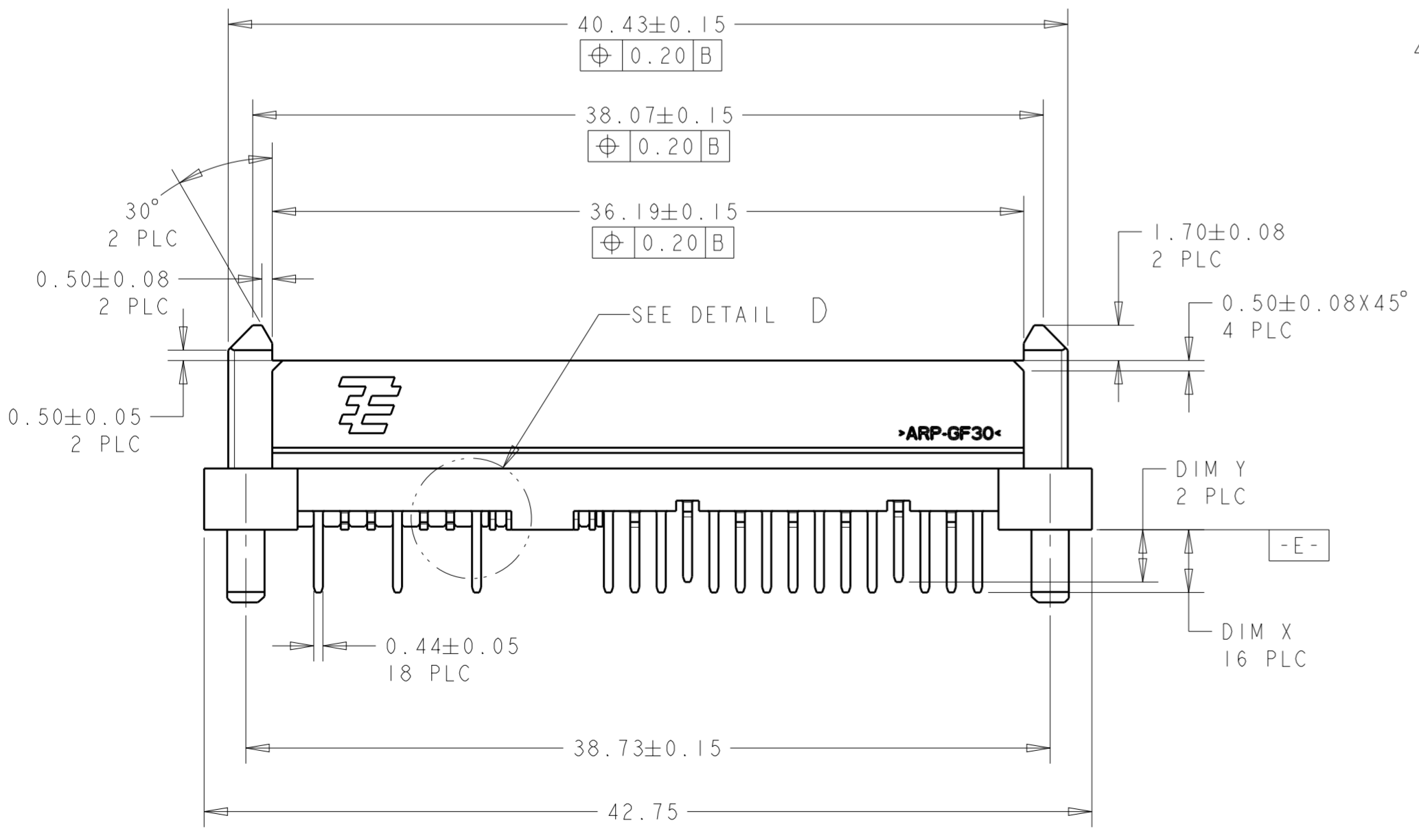
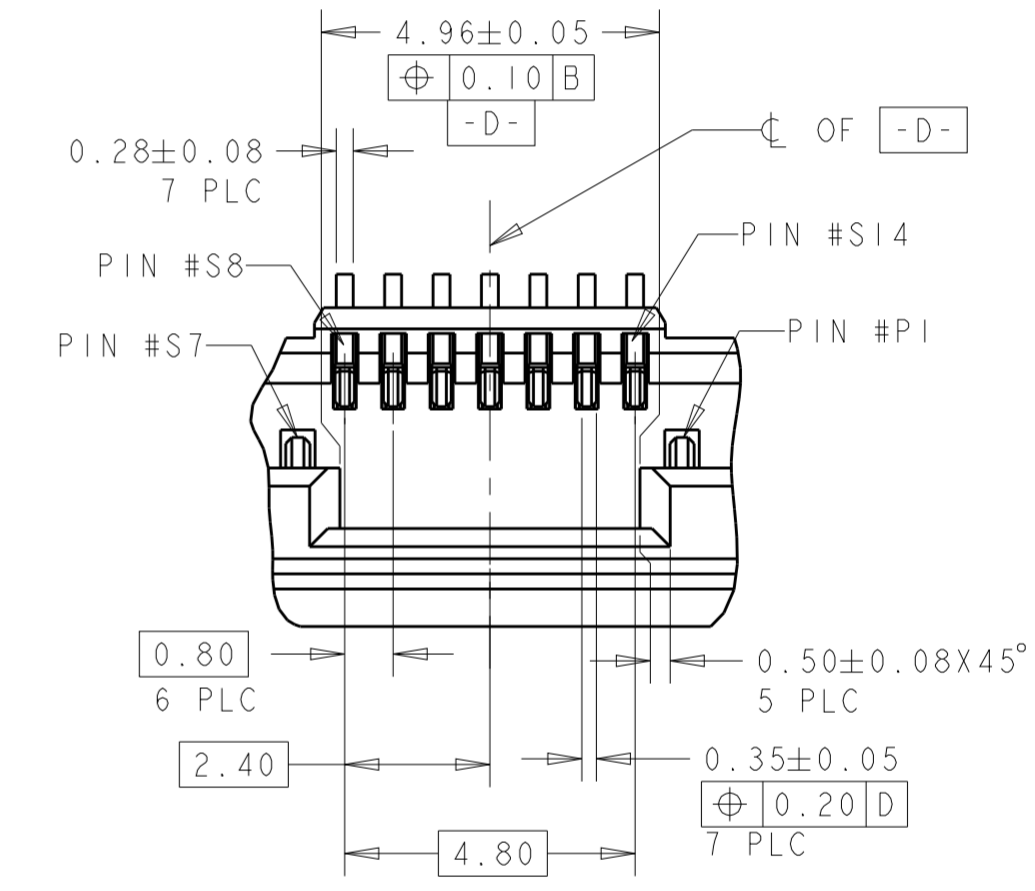
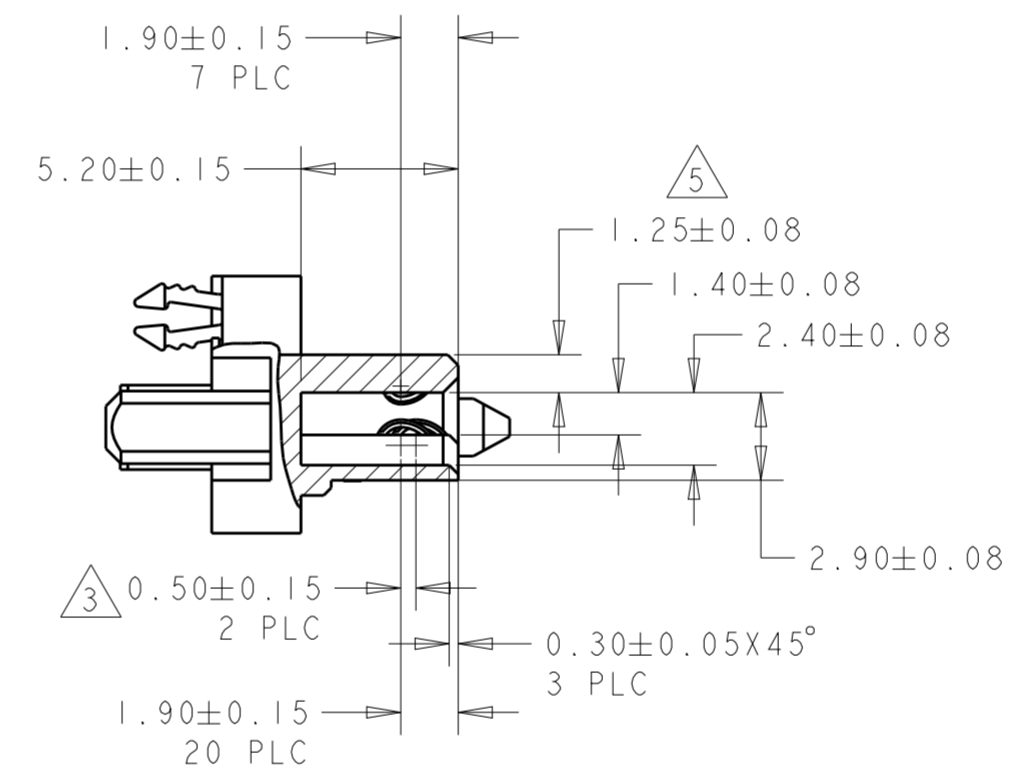
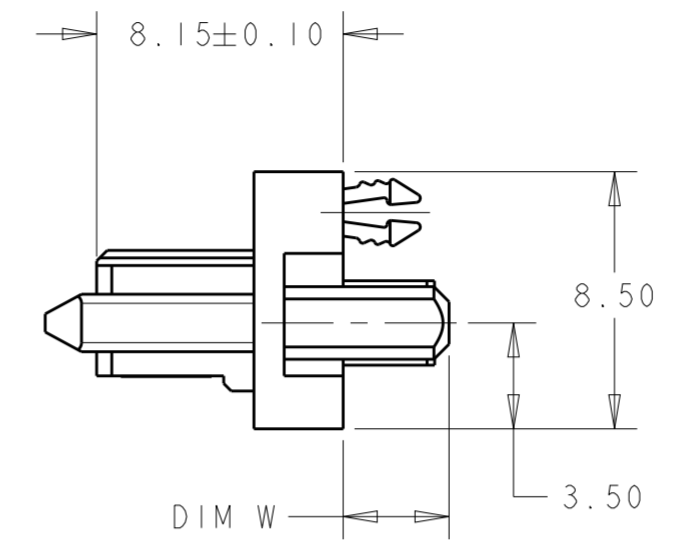
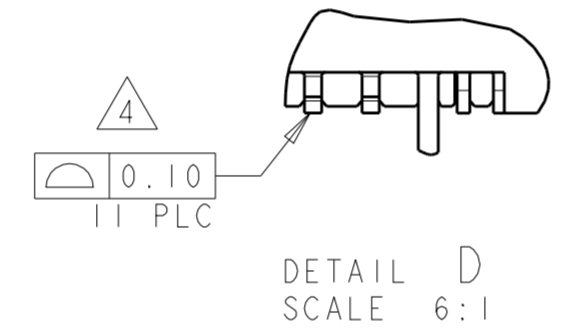
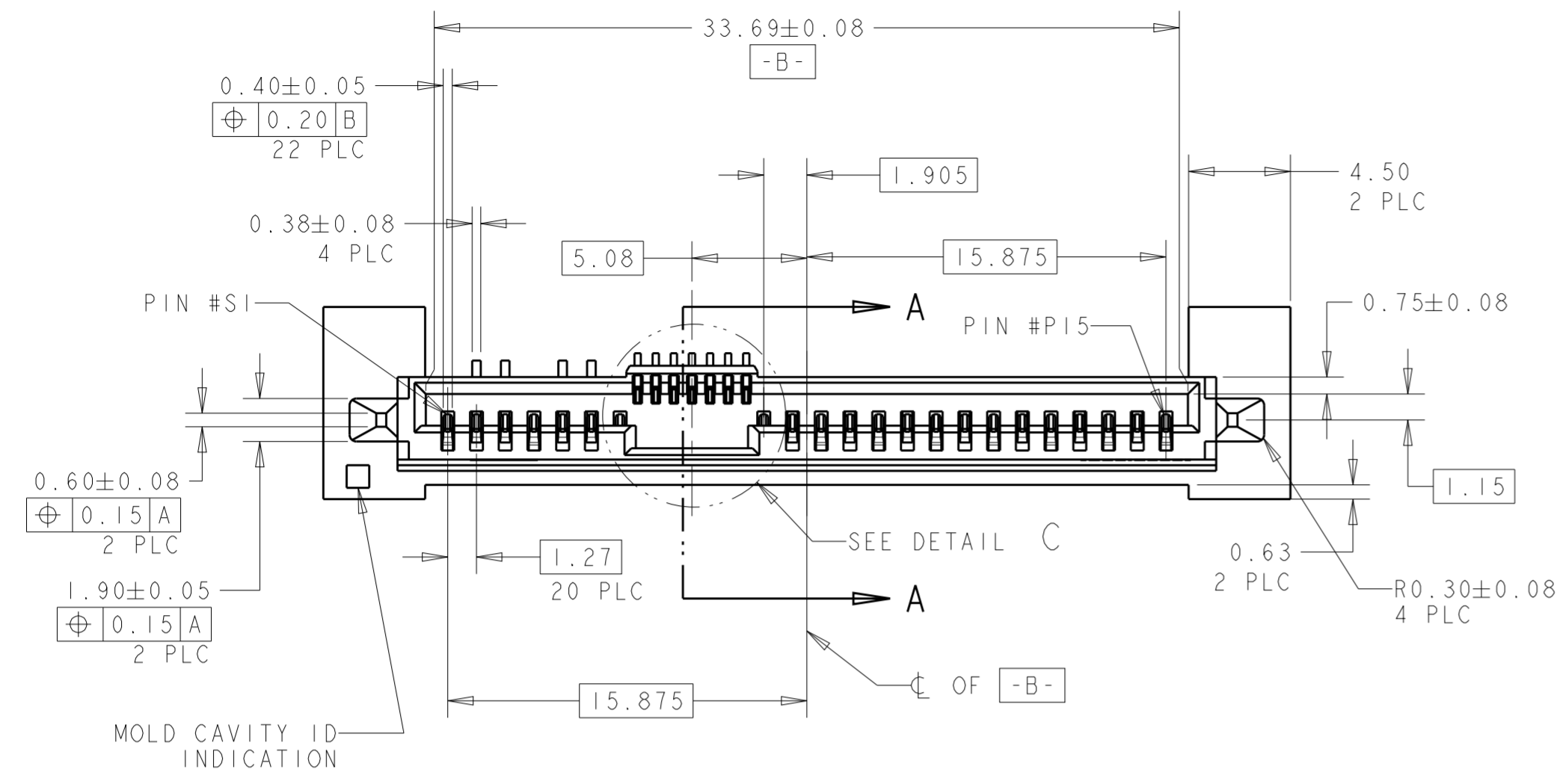


THIS DRAWING IS UNPUBLISHED. RELEASED FOR PUBLICATION 20
 © COPYRIGHT 20 BY - ALL RIGHTS RESERVED.

REVISIONS					
P	LTR	DESCRIPTION	DATE	DWN	APVD
D1		REVISED PER ECO-11-005139	19MAR11	RK	HMR
E		REVISED PER ECO-17-007830	10JUL2017	TX	SH

NOTES:

- 1 MATERIAL:
HOUSING: HIGH TEMP THERMOPLASTIC, UL94V-0,
COLOR: BLACK
CONTACT: COPPER ALLOY
BOARDLOCK: COPPER ALLOY
- 2 FINISH:
CONTACT AREA: MIN 0.76um GOLD PLATING
SOLDERTAIL: MIN 2.54um MATTE TIN PLATING
UNDERPLATE: MIN 1.27um NICKEL PLATING
- 3 PIN #P4 AND #P12 ONLY
- 4 SOLDERTAIL TO BE 0.05 MAX ABOVE AND
0.10 MAX BELOW DATUM E
- 5 1.33 MAX MEASURED AT -C-
- 6 MAX DIMENSION. -0.20mm TOLERANCE APPLIES.



SECTION A-A

DETAIL C SCALE 8:1

DIM Z	DIM Y	DIM X	DIM W	PACKAGING	BOARDLOCK	PICK-UP CAP	PART NUMBER
2.11	2.11	2.11	2.11	TAPE & REEL	FORK TYPE (2)	YES	2-1735104-1
2.79	3.81	4.31	3.50	TAPE & REEL	ZIF TYPE (3)	YES	1-1735104-6
2.30	2.30	2.30	2.30	TAPE & REEL	ZIF TYPE (3)	YES	1-1735104-5
2.79	3.20	3.70	3.50	TAPE & REEL	ZIF TYPE (3)	YES	1-1735104-4
2.79	2.52	3.02	3.50	TAPE & REEL	ZIF TYPE (3)	YES	1-1735104-3
2.79	3.20	3.70	3.50	TRAY	ZIF TYPE (3)	YES	1735104-4
2.79	2.52	3.02	3.50	TRAY	ZIF TYPE (3)	YES	1735104-3
2.55	2.52	3.02	3.50	TRAY	FORK TYPE (2)	NO	1735104-1

OBSOLETE

THIS DRAWING IS A CONTROLLED DOCUMENT. DWN SK LEAW 29JUL2005
 CHK SF LEONG 29JUL2005
 APVD SF LEONG 29JUL2005

TE Connectivity

SAS BACKPLANE RECEPTACLE
 VERTICAL, HYBRID

108-51067

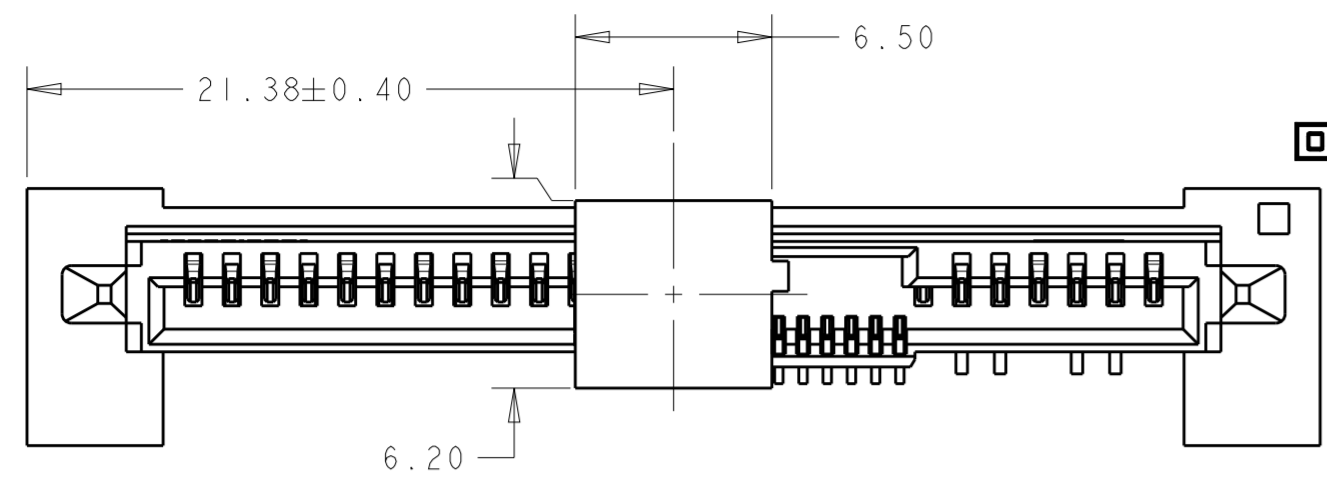
SIZE A2 CAGE CODE 00779 DRAWING NO C-1735104 RESTRICTED TO

SCALE 4:1 SHEET 1 OF 2 REV E

THIS DRAWING IS UNPUBLISHED. RELEASED FOR PUBLICATION 20
 © COPYRIGHT 20 BY - ALL RIGHTS RESERVED.

REVISIONS				
P	LTR	DESCRIPTION	DATE	APVD
-	-	SEE SHEET 1	-	-

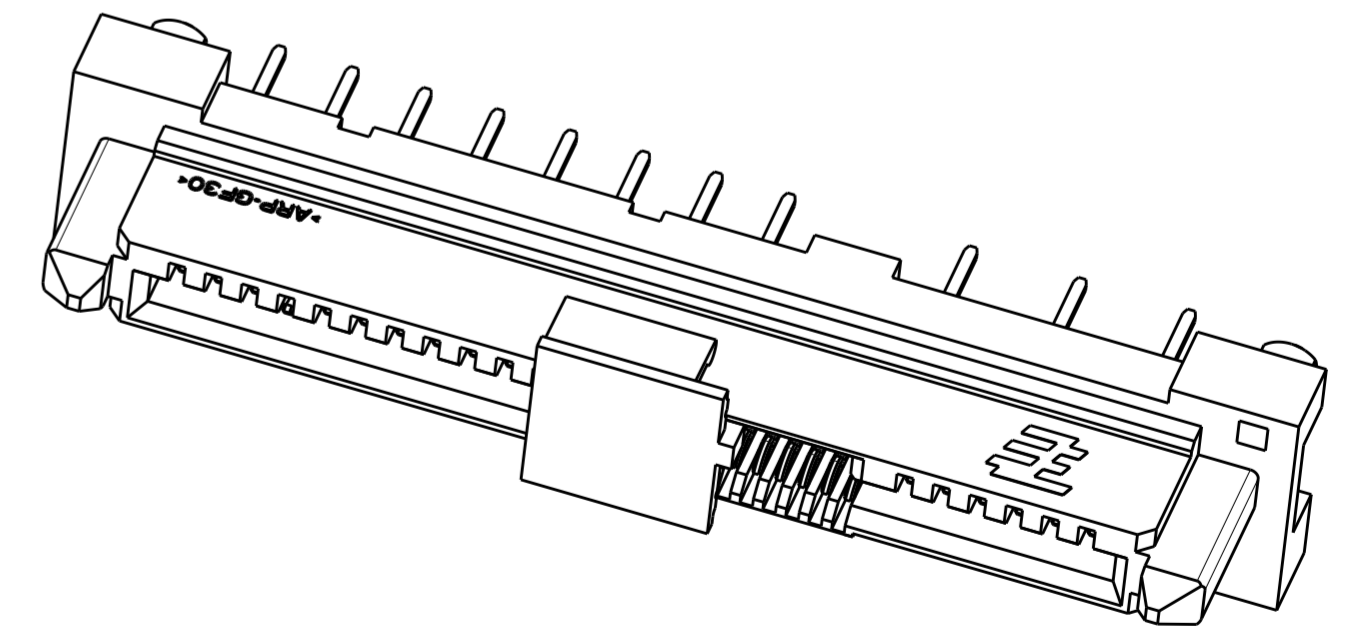
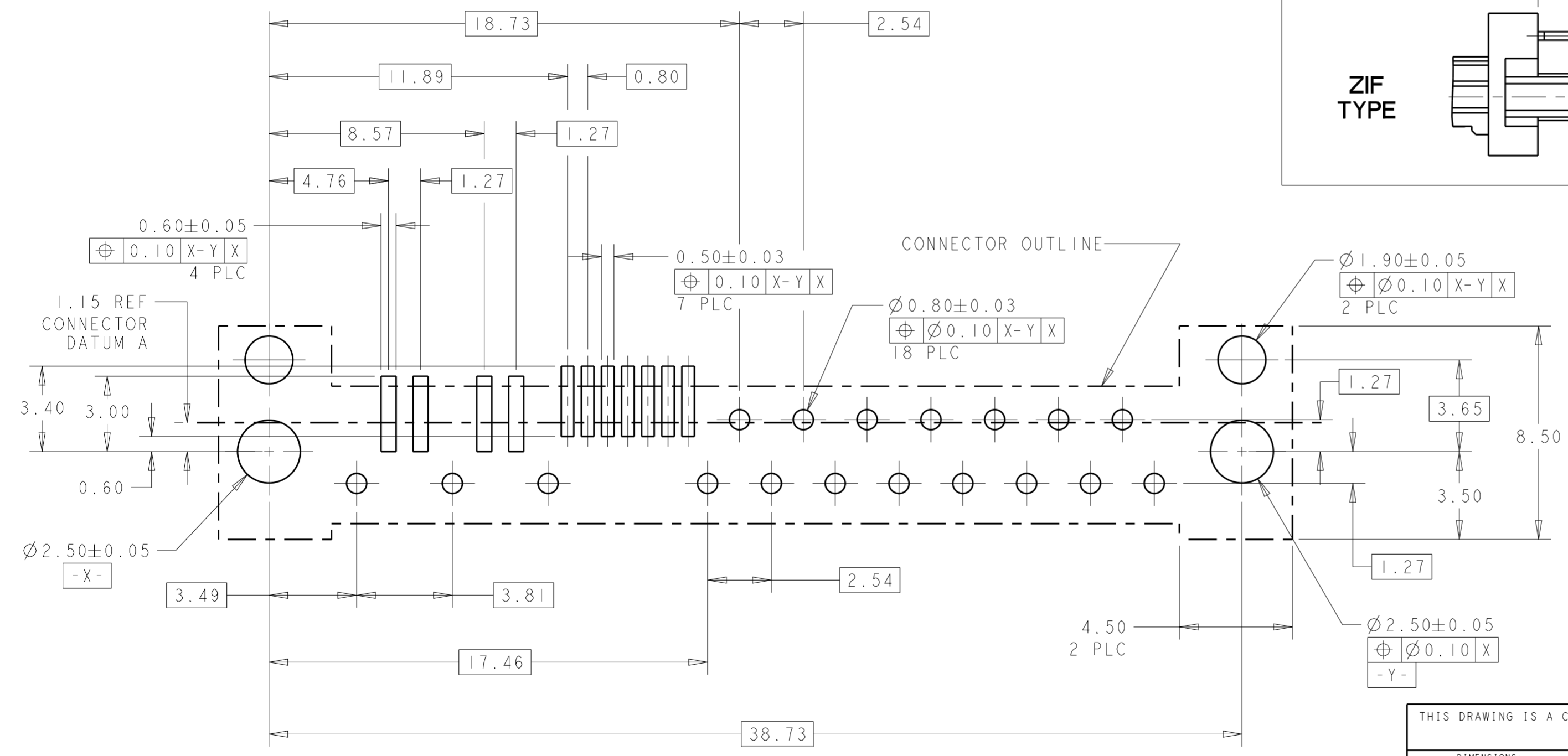
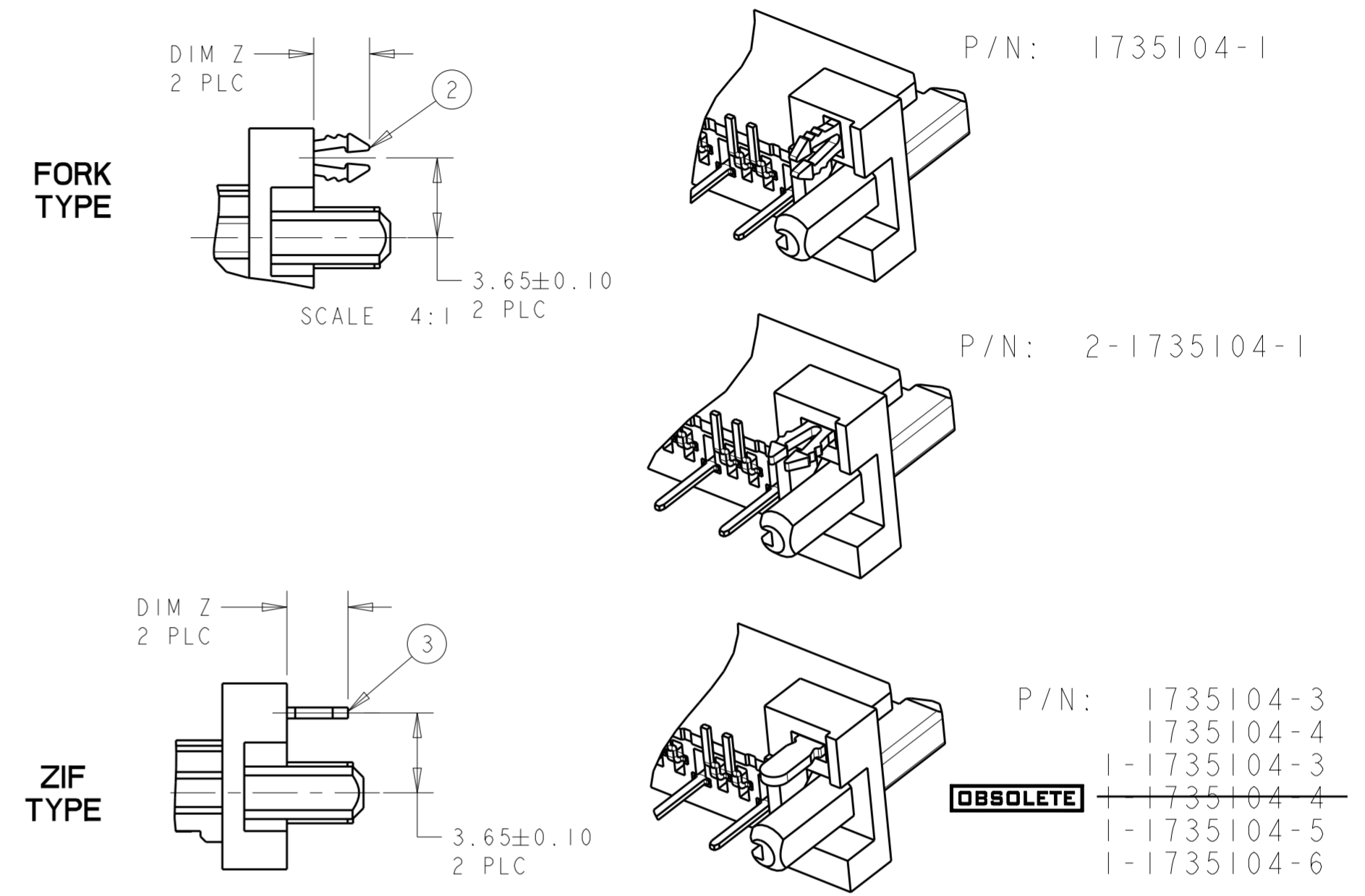
VIEW SHOWN WITH PICK-UP CAP



P/N: 1735104-3
 1735104-4
 1-1735104-3
~~1735104-4~~
 1-1735104-5
 1-1735104-6
 2-1735104-1

OBSELETE

BOARDLOCK CONFIGURATION



RECOMMENDED PCB LAYOUT
 SCALE 6:1

THIS DRAWING IS A CONTROLLED DOCUMENT.		DWN SK LEAW 29 JUL 2005	 TE Connectivity
DIMENSIONS: mm		CHK SF LEONG 29 JUL 2005	
TOLERANCES UNLESS OTHERWISE SPECIFIED:		APVD SF LEONG 29 JUL 2005	
0 PLC ± 1 PLC ± 2 PLC ±0.20 3 PLC ± 4 PLC ± ANGLES ±3° FINISH		PRODUCT SPEC 108-51067 APPLICATION SPEC WEIGHT CUSTOMER DRAWING	
NAME SAS BACKPLANE RECEPTACLE VERTICAL, HYBRID		SIZE A200779	DRAWING NO C-1735104
RESTRICTED TO		SCALE 4:1	SHEET 2 OF 2
REV E			