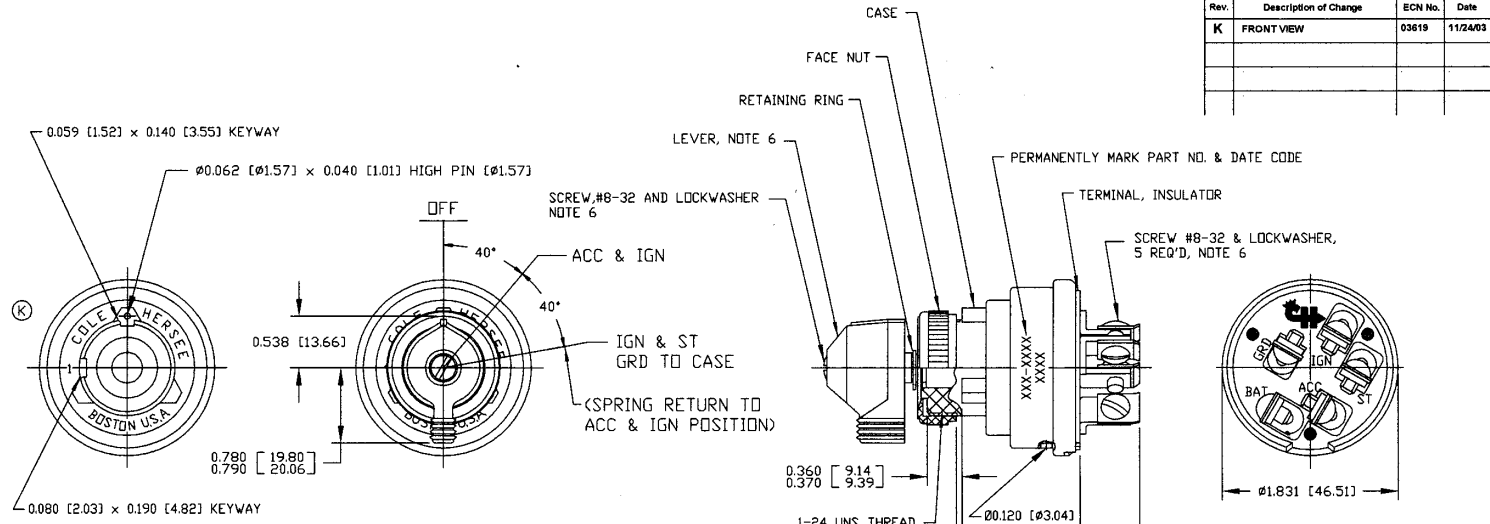


Revision Control Record

Rev.	Description of Change	ECN No.	Date
K	FRONT VIEW	03619	11/24/03



0.059 [1.52] x 0.140 [3.55] KEYWAY

Ø0.062 [Ø1.57] x 0.040 [1.01] HIGH PIN [Ø1.57]

SCREW, #8-32 AND LOCKWASHER, NOTE 6

OFF

ACC & IGN

40°

40°

IGN & ST GRD TO CASE

(SPRING RETURN TO ACC & IGN POSITION)

0.538 [13.66]

0.780 [19.80]
0.790 [20.06]

0.080 [2.03] x 0.190 [4.82] KEYWAY

FRONT VIEW SHOWN W/O LEVER AND FACE NUT

NOTES:

1. ALL DIMENSIONS ARE REFERENCE ONLY
2. ALL STEEL PARTS PLATED
3. SHAFT O-RING SEALED TO CASE
4. TERMINAL INSULATOR GASKET SEALED
5. START LOCK-OUT FEATURE; SWITCH MUST GO TO 'OFF' POSITION BEFORE START CIRCUIT CAN BE RE-ENERGIZED
6. PARTS MAY BE ASSEMBLED OR SUPPLIED IN A PLASTIC BAG
7. APPLICABLE SAE STANDARD OR RECOMMENDED PRACTICE SAE J259

Interchange: Unless otherwise specifically noted, the following are default dimensions:
 • Spline Distal Dimensions = .02"
 • Spline Distal Dimensions = .015"
 • Angular Dimensions = ±1.0 Deg.
 • Metric: Refer to equivalent English Dimension Tables
 *** NOTE: All tolerances are Non-Conservative. ***

Dimensional Limits: All dimensions are expressed in inches except those shown in brackets (mm) are expressed in millimeters.

***** See also Aesthetic *** - Non-Toleranced Reference Dimension, shown for identification purposes only.**

Used On: **EX26018** Scale: **1:1**

PROPRIETARY INFORMATION: This Engineering Drawing, and the information contained herein, is property of Cole Hersee Company and may not be disclosed, reproduced, or in any other way transmitted or communicated to any other party without the express written consent of an authorized representative of Cole Hersee Company.

DESIGN CONTROL: It is the responsibility of the individual using/referencing this drawing to ensure that the noted design revision level agrees with the revision level of the Control Drawing (Master Drawing). This is a NON-CONTROLLED DOCUMENT unless otherwise specifically noted.

DO NOT SCALE: Dimensional variation may occur during printing/reproduction.

Drawn By: **KPC** Date: **4/17/06**

Basic Characteristics:

⊕ Critical Characteristics: relating to Safety and/or Regulatory Compliance

⊗ Significant Characteristics: relating to Process Control (SPC)

Ⓝ Control Dimension relating to Form - Fit - Function as defined by Cole Hersee Company and/or the Customer.

Ⓜ Please note the identification of any Characteristics as being "Special" does not alter the requirement that ALL specified dimensions & tolerances must be met.

Responsible Engineer: **Pg. 1 of 1**

Cole Hersee Co.
 30 Old Colony Ave., South Boston, MA, 02127
 Phone: 617-268-2100 Web: www.colehersee.com

Description: **SW, IGN & START, 3 POS**

Drawing / Part No.: **956-3124**

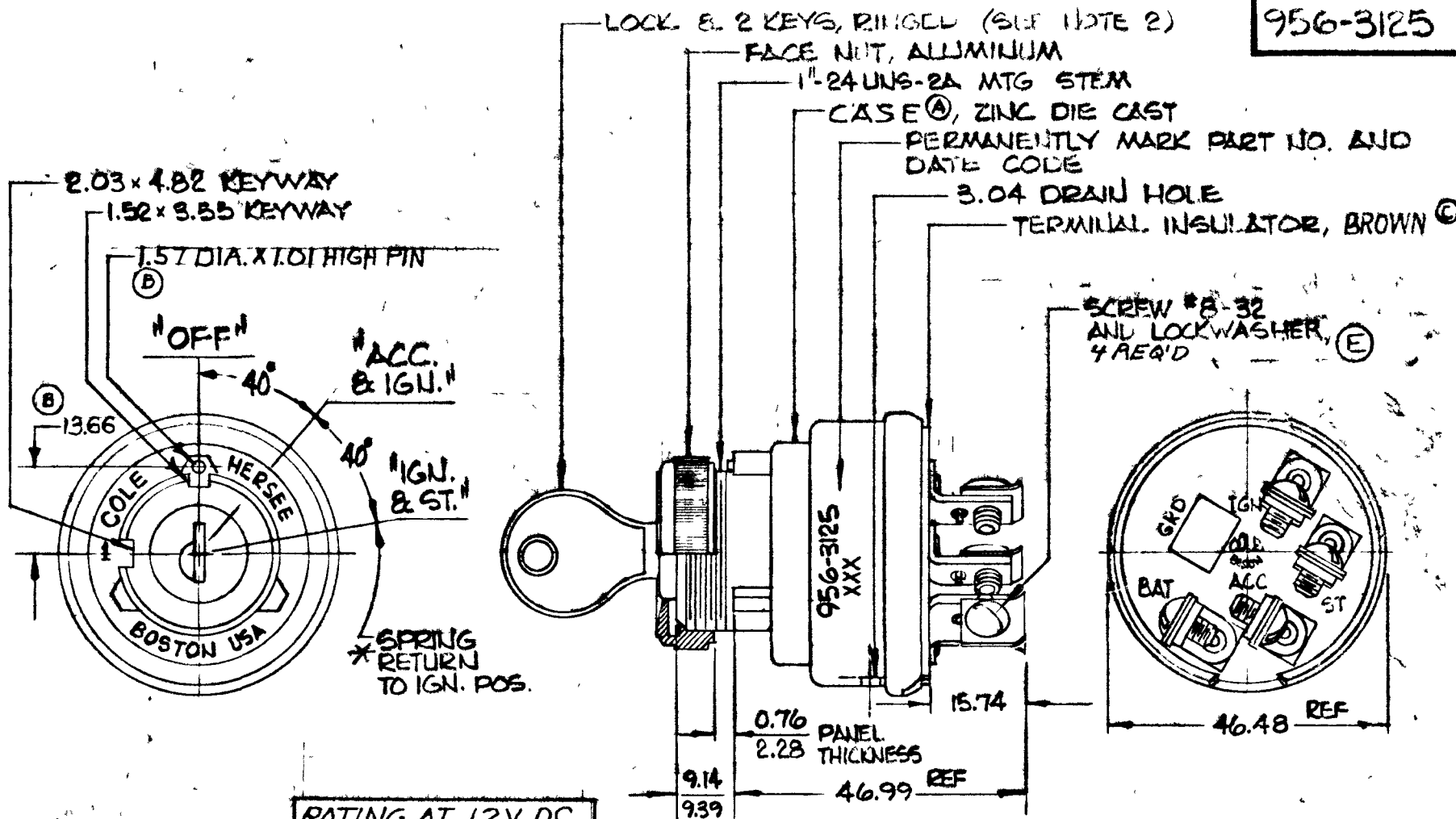
Current Rev.: **K**

ST CIRCUIT	5 AMPS
IGN CIRCUIT	10 AMPS
ACC CIRCUIT	10 AMPS
RATING AT 12 VDC	

MM	IN
0.25	.010
0.76	.030
1.01	.040
1.57	.062
1.52	.059
2.03	.080
2.28	.090
3.55	.140
4.82	.190
9.14	.360
9.39	.370
15.74	.620

46.48	1.850
46.99	1.850
3.04	.120
13.66	.538

COLE-HERSEE CO.
NPM



RATING AT 12V DC	
ACC	30 AMPS
IGN	10 AMPS
START	10 AMPS

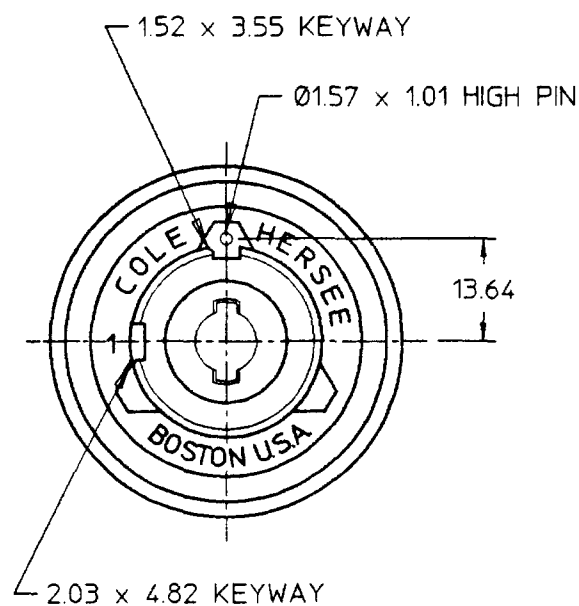
METRIC

- NOTES:
1. TERMINAL INSULATOR GASKET SEALED.
2. SHUTTER TYPE SEAL ON LOCK FACE.
*3. START LOCK-OUT FEATURE; SWITCH MUST GO TO "OFF" POSITION BEFORE START CIRCUIT CAN BE RE-ENERGIZED.
4. APPLICABLE SAE STANDARD OR RECOMMENDED PRACTICE SAE J259.
⑤ ALL STEEL PARTS PLATED

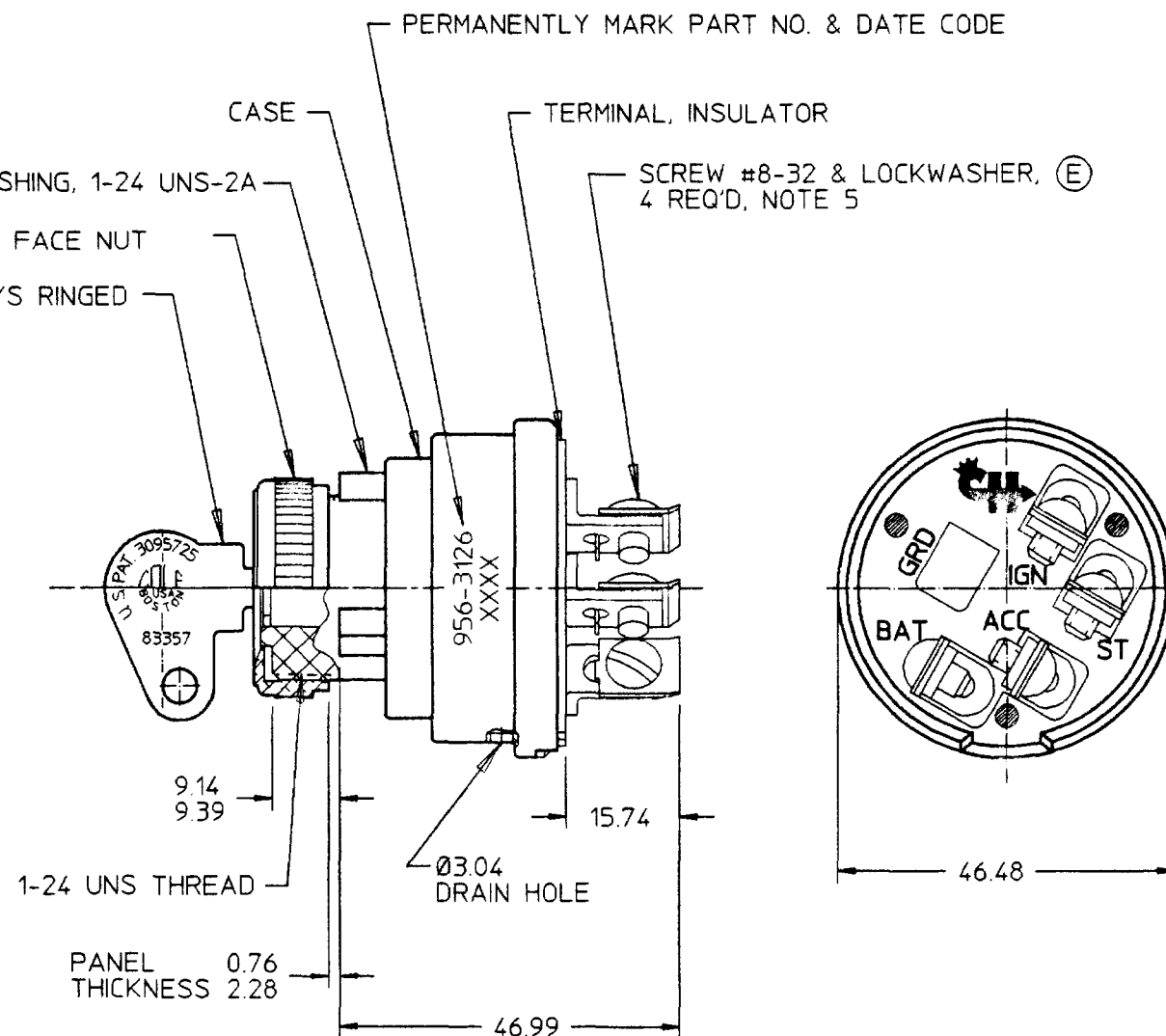
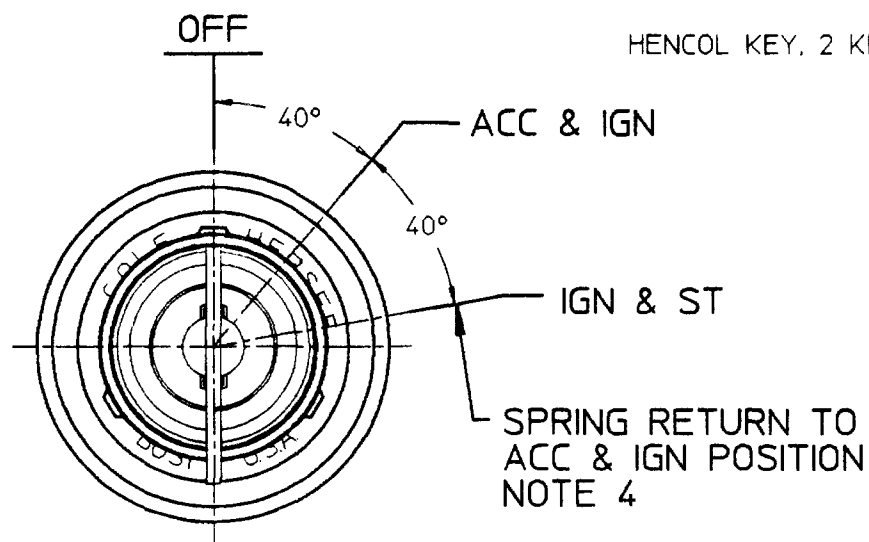
DO NOT SCALE

LET	WAS	DATE	BY	LET	WAS	DATE	BY	MATERIAL	DRAWN	CHECKED	APPRV D	SCALE	956-3122 LESS O-RINGS & GND CIRCUIT	DATE DRAWN
				D	NO ADDED 25039	10/20/90	SH	—	KPC	RF		1:1		10-26-76
				C	ECN 25189	8/13/76	WH	FINISH	COLE-HERSEE COMPANY BOSTON, MASS. 02127, U.S.A.					DATE BLUEPRINT
				B	16.01/22457	6-5-84	WH	—						
				A	HOUSING	813-82	CR	TOLERANCES	3-POSITION IGN. & START SWITCH					956-3125
E	ECN 40137	3/1/00	MA		15 JUL	11 2 16	TY	FRACTIONAL ±						
								DECIMAL ±.25						

MM	IN
0.76	0.030
1.01	0.040
1.52	0.059
1.57	0.061
2.03	0.080
2.28	0.090
3.04	0.120
3.55	0.140
4.82	0.190
9.14	0.360
9.39	0.370
13.66	0.538
19.81	0.780
20.06	0.790
46.48	1.830
46.99	1.850



FRONT VIEW SHOWN W/O KEY AND FACE NUT



- NOTES:
1. ALL DIMENSIONS ARE REFERENCE ONLY
 2. ALL STEEL PARTS PLATED
 3. TERMINAL INSULATOR GASKET SEALED
 4. START LOCK-OUT FEATURE, SWITCH MUST GO TO "OFF" POSITION BEFORE START CIRCUIT CAN BE RE-ENERGIZED
 5. PARTS MAY BE ASSEMBLED OR SUPPLIED IN A PLASTIC BAG
 6. APPLICABLE SAE STANDARD OR RECOMMENDED PRACTICE SAE J259

(E)

DO NOT SCALE

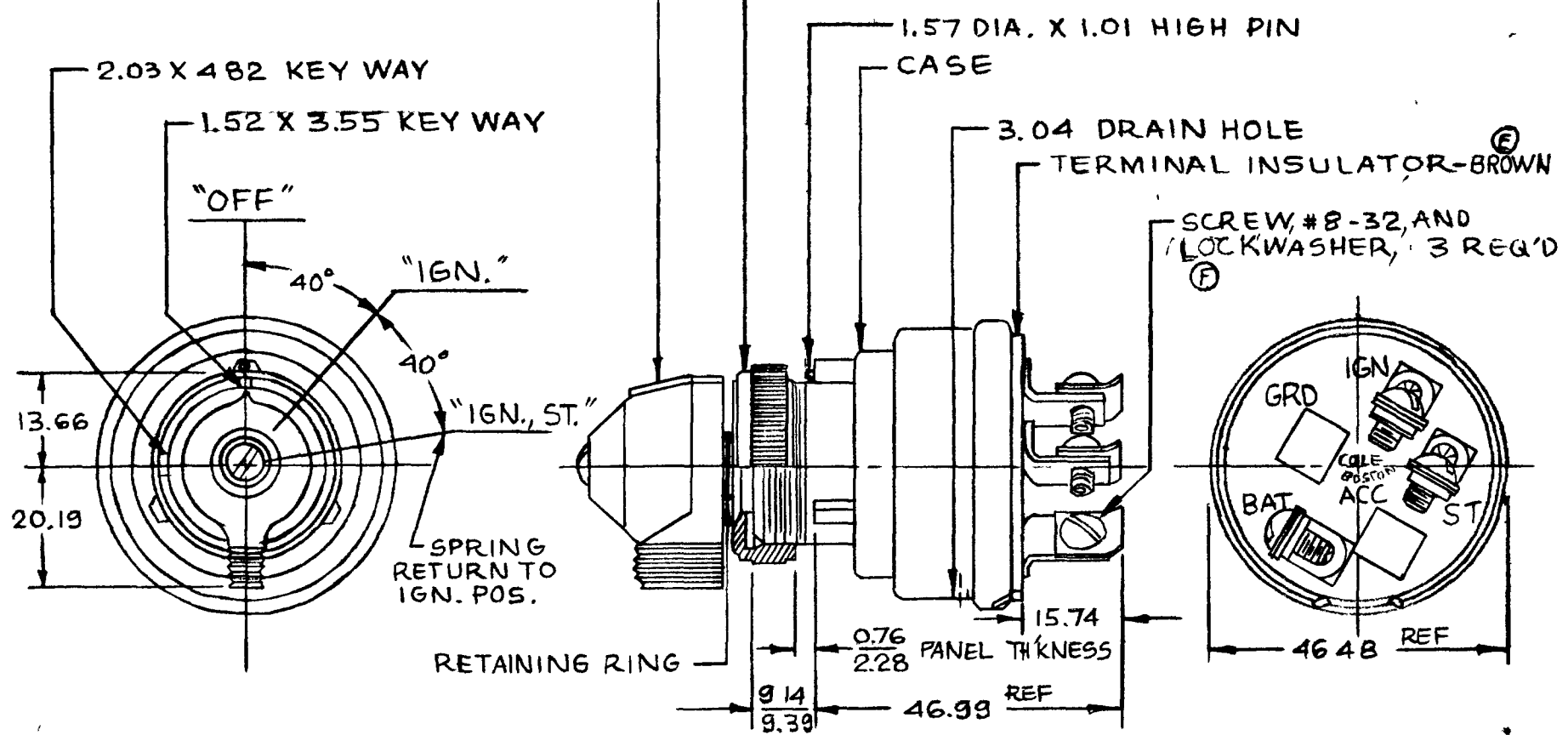
LET.	WAS	DATE	BY	LET.	WAS	DATE	BY	MATERIAL	DRAWN	CHK	APVD	SCALE	DATE DRAWN
									KG	Jmp		1:1	10/27/97
								FINISH	Cole Hersee Co. 20 OLD COLONY AVENUE, BOSTON, MA., U.S.A., 02127				DATE BLUEPRINTED
				F	ECN #98258	04/29/98	COL	TOLERANCES	SW, IGN & START, 3 POS				956-3126
				E	PUT ON CAD ECN #26936	9/12/97	AJS	DECIMAL ± ANGLE ±					

METRIC

MM	IN
0.25	.010
0.76	.030
1.01	.040
1.57	.060
2.03	.080
2.28	.090
2.55	.100
4.82	.190
9.14	.360
9.39	.370
15.74	.620
20.19	.795
46.48	1.830
46.99	1.850
15.74	.620
13.66	.538
3.04	.120

956-3127

APPLICABLE SAE STANDARD OR
RECOMMENDED PRACTICE SAE J259



RATING AT 24 VDC
IGN CIRCUIT 10 AMPS
ST. CIRCUIT 5 AMPS

NOTES:
1. SHAFT O RING SEALED TO HOUSING
2. TERMINAL INSULATOR GASKET SEALED
3. START LOCK-OUT FEATURE; SWITCH MUST GO TO "OFF" POSITION BEFORE START CIRCUIT CAN BE RE-ENERGIZED.

METRIC

DO NOT SCALE

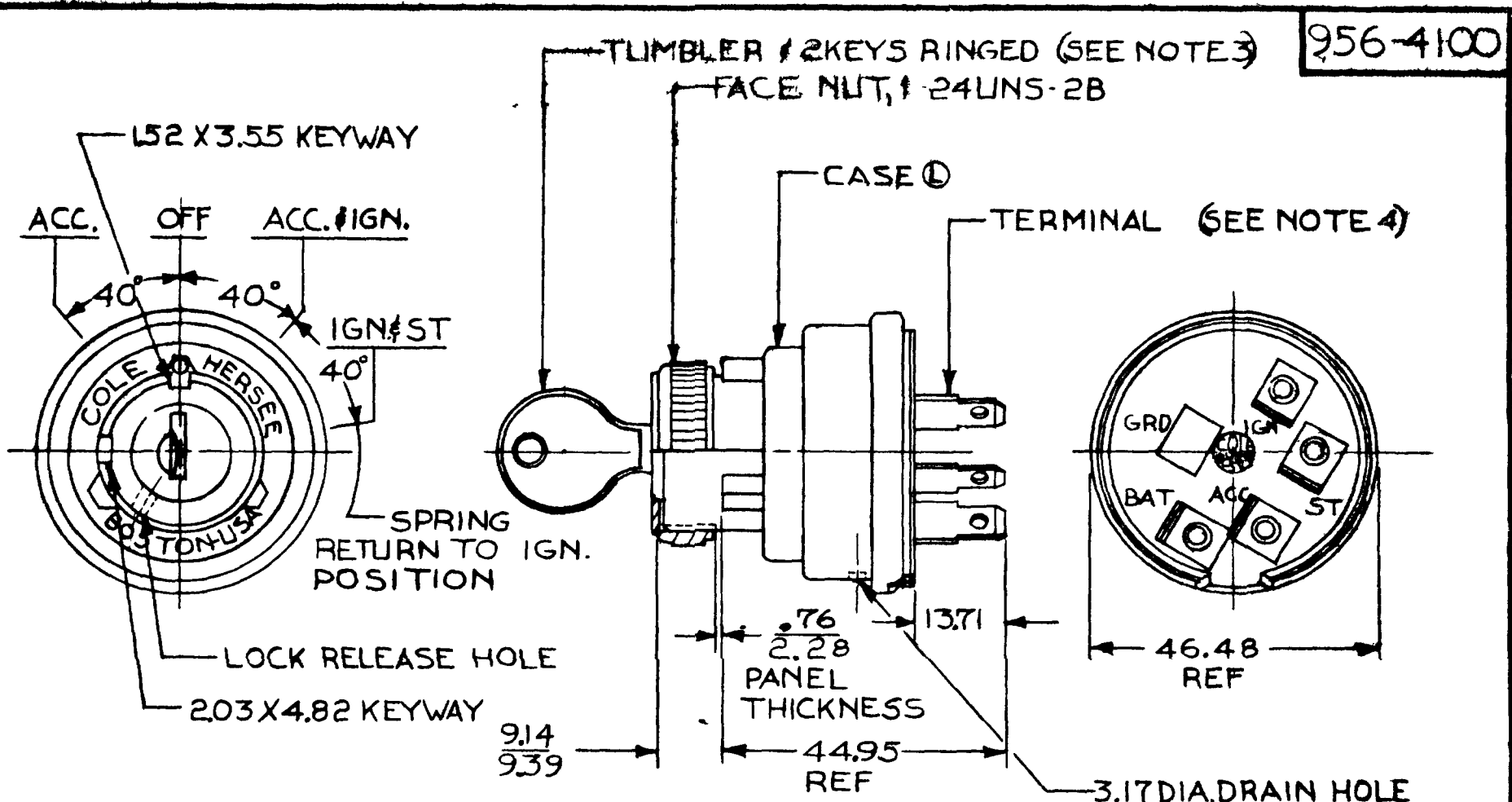
LET	WAS	DATE	BY	LET	WAS	DATE	BY	MATERIAL	DRAWN	CHECKED	APPRV'D	SCALE	DATE DRAWN
								#	EA			1:1	1-10-77
								FINISH					DATE BLUEPRINT
				F	ECN 00140	3/1/00	MA						
				E	ECN 25189	8/1/92	TJH	TOLERANCES					
				D	REDRAWN	10/29/90	BL	DECIMAL ±					
								METRIC ±.25					
3 POSITION IGN. & START SWITCH												956-3127	

CH-188(4-78)

MM IN
 .25 .010
 .76 .030
 1.52 .060
 2.03 .080
 2.28 .090
 3.55 .140
 4.82 .190
 9.14 .360
 9.39 .370
 13.71 .540
 44.95 1.770
 46.48 1.830

TSE-1034

EX 14258



956-4100

METRIC

RATINGS AT 12VDC	
ACC. CIRCUIT	10 AMPS
IGN. "	10 "
ST. "	5 "

- NOTES:
1. APPLICABLE SAE STANDARD OR RECOMMENDED PRACTICE SAE J259
 2. LOCK REMOVABLE IN IGN. POSITION
 3. SHUTTER TYPE SEAL ON LOCK FACE
 4. TERMINALS ARRANGED TO FIT PACKARD CONNECTOR #2962912 OR EQUIV.

DO NOT SCALE

LET	WAS	DATE	BY	LET	WAS	DATE	BY	MATERIAL	DRAWN	CHECKED	APPR'D	SCALE	DATE DRAWN
								#	M.F.	4-28-80		1:1	2-24-66
								FINISH					DATE BLUEPRINT
								TOLERANCES	 30 OLD BOSTON AVENUE SOUTH BOSTON MA U.S.A. 02127				
								DECIMAL ±					IGN & START SWITCH
								METRIC ± .05	(4 POSITION)	956-4100			

CH-1894-78

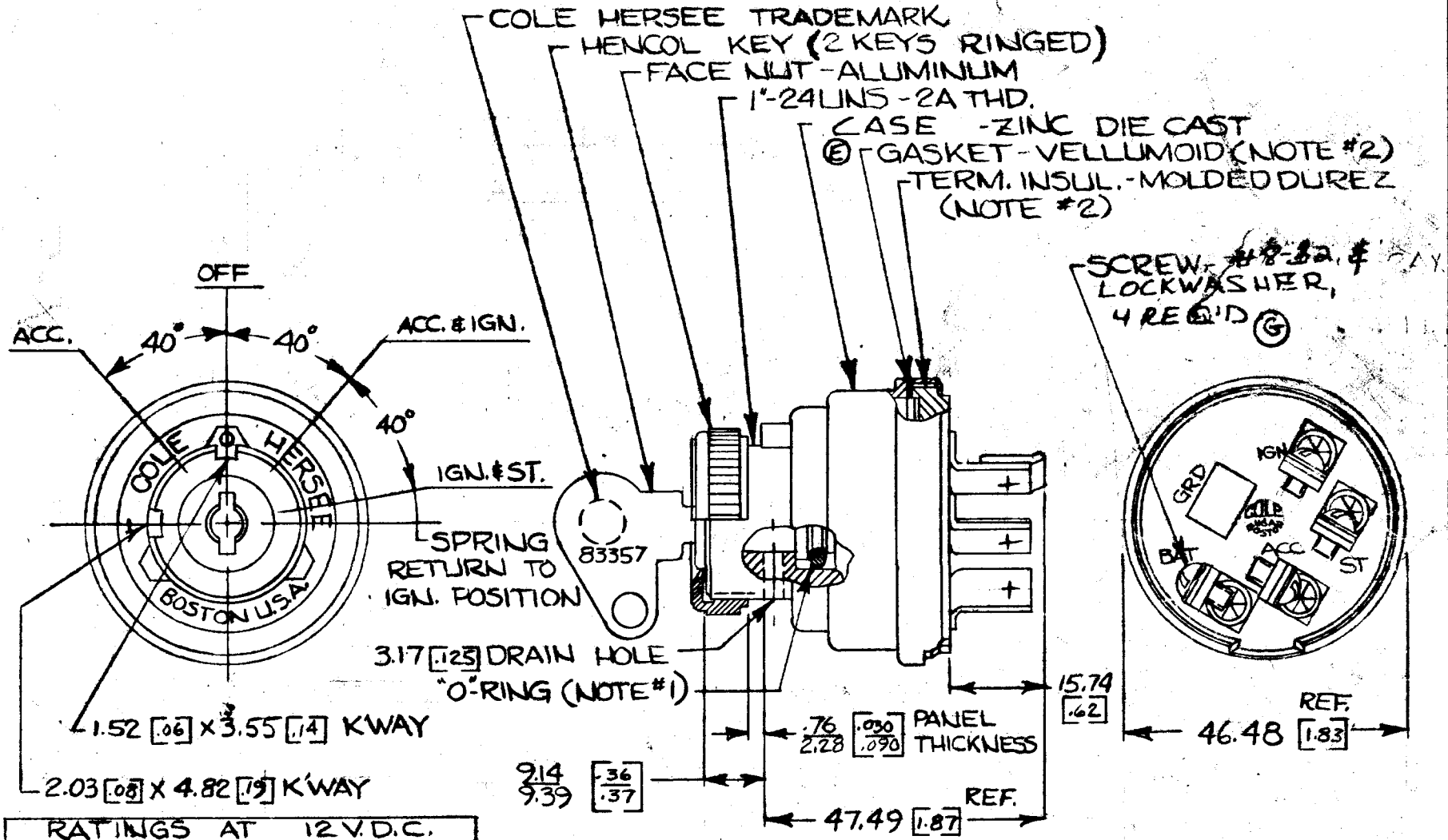
MM IN
 0.76 0.03
 1.52 0.06
 2.28 0.09
 3.04 0.12
 3.80 0.15
 4.56 0.18
 5.32 0.21
 6.08 0.24
 6.84 0.27
 7.60 0.30
 8.36 0.33
 9.12 0.36
 9.88 0.39
 10.64 0.42
 11.40 0.45
 12.16 0.48
 12.92 0.51
 13.68 0.54
 14.44 0.57
 15.20 0.60
 15.96 0.63
 16.72 0.66
 17.48 0.69
 18.24 0.72
 19.00 0.75
 19.76 0.78
 20.52 0.81
 21.28 0.84
 22.04 0.87
 22.80 0.90
 23.56 0.93
 24.32 0.96
 25.08 0.99
 25.84 1.02
 26.60 1.05
 27.36 1.08
 28.12 1.11
 28.88 1.14
 29.64 1.17
 30.40 1.20
 31.16 1.23
 31.92 1.26
 32.68 1.29
 33.44 1.32
 34.20 1.35
 34.96 1.38
 35.72 1.41
 36.48 1.44
 37.24 1.47
 38.00 1.50
 38.76 1.53
 39.52 1.56
 40.28 1.59
 41.04 1.62
 41.80 1.65
 42.56 1.68
 43.32 1.71
 44.08 1.74
 44.84 1.77
 45.60 1.80
 46.36 1.83
 47.12 1.86
 47.88 1.89
 48.64 1.92
 49.40 1.95
 50.16 1.98
 50.92 2.01
 51.68 2.04
 52.44 2.07
 53.20 2.10
 53.96 2.13
 54.72 2.16
 55.48 2.19
 56.24 2.22
 57.00 2.25
 57.76 2.28
 58.52 2.31
 59.28 2.34
 60.04 2.37
 60.80 2.40
 61.56 2.43
 62.32 2.46
 63.08 2.49
 63.84 2.52
 64.60 2.55
 65.36 2.58
 66.12 2.61
 66.88 2.64
 67.64 2.67
 68.40 2.70
 69.16 2.73
 69.92 2.76
 70.68 2.79
 71.44 2.82
 72.20 2.85
 72.96 2.88
 73.72 2.91
 74.48 2.94
 75.24 2.97
 76.00 3.00
 76.76 3.03
 77.52 3.06
 78.28 3.09
 79.04 3.12
 79.80 3.15
 80.56 3.18
 81.32 3.21
 82.08 3.24
 82.84 3.27
 83.60 3.30
 84.36 3.33
 85.12 3.36
 85.88 3.39
 86.64 3.42
 87.40 3.45
 88.16 3.48
 88.92 3.51
 89.68 3.54
 90.44 3.57
 91.20 3.60
 91.96 3.63
 92.72 3.66
 93.48 3.69
 94.24 3.72
 95.00 3.75
 95.76 3.78
 96.52 3.81
 97.28 3.84
 98.04 3.87
 98.80 3.90
 99.56 3.93
 100.32 3.96
 101.08 3.99
 101.84 4.02
 102.60 4.05
 103.36 4.08
 104.12 4.11
 104.88 4.14
 105.64 4.17
 106.40 4.20
 107.16 4.23
 107.92 4.26
 108.68 4.29
 109.44 4.32
 110.20 4.35
 110.96 4.38
 111.72 4.41
 112.48 4.44
 113.24 4.47
 114.00 4.50
 114.76 4.53
 115.52 4.56
 116.28 4.59
 117.04 4.62
 117.80 4.65
 118.56 4.68
 119.32 4.71
 120.08 4.74
 120.84 4.77
 121.60 4.80
 122.36 4.83
 123.12 4.86
 123.88 4.89
 124.64 4.92
 125.40 4.95
 126.16 4.98
 126.92 5.01
 127.68 5.04
 128.44 5.07
 129.20 5.10
 129.96 5.13
 130.72 5.16
 131.48 5.19
 132.24 5.22
 133.00 5.25
 133.76 5.28
 134.52 5.31
 135.28 5.34
 136.04 5.37
 136.80 5.40
 137.56 5.43
 138.32 5.46
 139.08 5.49
 139.84 5.52
 140.60 5.55
 141.36 5.58
 142.12 5.61
 142.88 5.64
 143.64 5.67
 144.40 5.70
 145.16 5.73
 145.92 5.76
 146.68 5.79
 147.44 5.82
 148.20 5.85
 148.96 5.88
 149.72 5.91
 150.48 5.94
 151.24 5.97
 152.00 6.00
 152.76 6.03
 153.52 6.06
 154.28 6.09
 155.04 6.12
 155.80 6.15
 156.56 6.18
 157.32 6.21
 158.08 6.24
 158.84 6.27
 159.60 6.30
 160.36 6.33
 161.12 6.36
 161.88 6.39
 162.64 6.42
 163.40 6.45
 164.16 6.48
 164.92 6.51
 165.68 6.54
 166.44 6.57
 167.20 6.60
 167.96 6.63
 168.72 6.66
 169.48 6.69
 170.24 6.72
 171.00 6.75
 171.76 6.78
 172.52 6.81
 173.28 6.84
 174.04 6.87
 174.80 6.90
 175.56 6.93
 176.32 6.96
 177.08 6.99
 177.84 7.02
 178.60 7.05
 179.36 7.08
 180.12 7.11
 180.88 7.14
 181.64 7.17
 182.40 7.20
 183.16 7.23
 183.92 7.26
 184.68 7.29
 185.44 7.32
 186.20 7.35
 186.96 7.38
 187.72 7.41
 188.48 7.44
 189.24 7.47
 190.00 7.50
 190.76 7.53
 191.52 7.56
 192.28 7.59
 193.04 7.62
 193.80 7.65
 194.56 7.68
 195.32 7.71
 196.08 7.74
 196.84 7.77
 197.60 7.80
 198.36 7.83
 199.12 7.86
 199.88 7.89
 200.64 7.92
 201.40 7.95
 202.16 7.98
 202.92 8.01
 203.68 8.04
 204.44 8.07
 205.20 8.10
 205.96 8.13
 206.72 8.16
 207.48 8.19
 208.24 8.22
 209.00 8.25
 209.76 8.28
 210.52 8.31
 211.28 8.34
 212.04 8.37
 212.80 8.40
 213.56 8.43
 214.32 8.46
 215.08 8.49
 215.84 8.52
 216.60 8.55
 217.36 8.58
 218.12 8.61
 218.88 8.64
 219.64 8.67
 220.40 8.70
 221.16 8.73
 221.92 8.76
 222.68 8.79
 223.44 8.82
 224.20 8.85
 224.96 8.88
 225.72 8.91
 226.48 8.94
 227.24 8.97
 228.00 9.00
 228.76 9.03
 229.52 9.06
 230.28 9.09
 231.04 9.12
 231.80 9.15
 232.56 9.18
 233.32 9.21
 234.08 9.24
 234.84 9.27
 235.60 9.30
 236.36 9.33
 237.12 9.36
 237.88 9.39
 238.64 9.42
 239.40 9.45
 240.16 9.48
 240.92 9.51
 241.68 9.54
 242.44 9.57
 243.20 9.60
 243.96 9.63
 244.72 9.66
 245.48 9.69
 246.24 9.72
 247.00 9.75
 247.76 9.78
 248.52 9.81
 249.28 9.84
 250.04 9.87
 250.80 9.90
 251.56 9.93
 252.32 9.96
 253.08 9.99
 253.84 10.02
 254.60 10.05
 255.36 10.08
 256.12 10.11
 256.88 10.14
 257.64 10.17
 258.40 10.20
 259.16 10.23
 259.92 10.26
 260.68 10.29
 261.44 10.32
 262.20 10.35
 262.96 10.38
 263.72 10.41
 264.48 10.44
 265.24 10.47
 266.00 10.50
 266.76 10.53
 267.52 10.56
 268.28 10.59
 269.04 10.62
 269.80 10.65
 270.56 10.68
 271.32 10.71
 272.08 10.74
 272.84 10.77
 273.60 10.80
 274.36 10.83
 275.12 10.86
 275.88 10.89
 276.64 10.92
 277.40 10.95
 278.16 10.98
 278.92 11.01
 279.68 11.04
 280.44 11.07
 281.20 11.10
 281.96 11.13
 282.72 11.16
 283.48 11.19
 284.24 11.22
 285.00 11.25
 285.76 11.28
 286.52 11.31
 287.28 11.34
 288.04 11.37
 288.80 11.40
 289.56 11.43
 290.32 11.46
 291.08 11.49
 291.84 11.52
 292.60 11.55
 293.36 11.58
 294.12 11.61
 294.88 11.64
 295.64 11.67
 296.40 11.70
 297.16 11.73
 297.92 11.76
 298.68 11.79
 299.44 11.82
 300.20 11.85
 300.96 11.88
 301.72 11.91
 302.48 11.94
 303.24 11.97
 304.00 12.00
 304.76 12.03
 305.52 12.06
 306.28 12.09
 307.04 12.12
 307.80 12.15
 308.56 12.18
 309.32 12.21
 310.08 12.24
 310.84 12.27
 311.60 12.30
 312.36 12.33
 313.12 12.36
 313.88 12.39
 314.64 12.42
 315.40 12.45
 316.16 12.48
 316.92 12.51
 317.68 12.54
 318.44 12.57
 319.20 12.60
 319.96 12.63
 320.72 12.66
 321.48 12.69
 322.24 12.72
 323.00 12.75
 323.76 12.78
 324.52 12.81
 325.28 12.84
 326.04 12.87
 326.80 12.90
 327.56 12.93
 328.32 12.96
 329.08 12.99
 329.84 13.02
 330.60 13.05
 331.36 13.08
 332.12 13.11
 332.88 13.14
 333.64 13.17
 334.40 13.20
 335.16 13.23
 335.92 13.26
 336.68 13.29
 337.44 13.32
 338.20 13.35
 338.96 13.38
 339.72 13.41
 340.48 13.44
 341.24 13.47
 342.00 13.50
 342.76 13.53
 343.52 13.56
 344.28 13.59
 345.04 13.62
 345.80 13.65
 346.56 13.68
 347.32 13.71
 348.08 13.74
 348.84 13.77
 349.60 13.80
 350.36 13.83
 351.12 13.86
 351.88 13.89
 352.64 13.92
 353.40 13.95
 354.16 13.98
 354.92 14.01
 355.68 14.04
 356.44 14.07
 357.20 14.10
 357.96 14.13
 358.72 14.16
 359.48 14.19
 360.24 14.22
 361.00 14.25
 361.76 14.28
 362.52 14.31
 363.28 14.34
 364.04 14.37
 364.80 14.40
 365.56 14.43
 366.32 14.46
 367.08 14.49
 367.84 14.52
 368.60 14.55
 369.36 14.58
 370.12 14.61
 370.88 14.64
 371.64 14.67
 372.40 14.70
 373.16 14.73
 373.92 14.76
 374.68 14.79
 375.44 14.82
 376.20 14.85
 376.96 14.88
 377.72 14.91
 378.48 14.94
 379.24 14.97
 380.00 15.00
 380.76 15.03
 381.52 15.06
 382.28 15.09
 383.04 15.12
 383.80 15.15
 384.56 15.18
 385.32 15.21
 386.08 15.24
 386.84 15.27
 387.60 15.30
 388.36 15.33
 389.12 15.36
 389.88 15.39
 390.64 15.42
 391.40 15.45
 392.16 15.48
 392.92 15.51
 393.68 15.54
 394.44 15.57
 395.20 15.60
 395.96 15.63
 396.72 15.66
 397.48 15.69
 398.24 15.72
 399.00 15.75
 399.76 15.78
 400.52 15.81
 401.28 15.84
 402.04 15.87
 402.80 15.90
 403.56 15.93
 404.32 15.96
 405.08 15.99
 405.84 16.02
 406.60 16.05
 407.36 16.08
 408.12 16.11
 408.88 16.14
 409.64 16.17
 410.40 16.20
 411.16 16.23
 411.92 16.26
 412.68 16.29
 413.44 16.32
 414.20 16.35
 414.96 16.38
 415.72 16.41
 416.48 16.44
 417.24 16.47
 418.00 16.50
 418.76 16.53
 419.52 16.56
 420.28 16.59
 421.04 16.62
 421.80 16.65
 422.56 16.68
 423.32 16.71
 424.08 16.74
 424.84 16.77
 425.60 16.80
 426.36 16.83
 427.12 16.86
 427.88 16.89
 428.64 16.92
 429.40 16.95
 430.16 16.98
 430.92 17.01
 431.68 17.04
 432.44 17.07
 433.20 17.10
 433.96 17.13
 434.72 17.16
 435.48 17.19
 436.24 17.22
 437.00 17.25
 437.76 17.28
 438.52 17.31
 439.28 17.34
 440.04 17.37
 440.80 17.40
 441.56 17.43
 442.32 17.46
 443.08 17.49
 443.84 17.52
 444.60 17.55
 445.36 17.58
 446.12 17.61
 446.88 17.64
 447.64 17.67
 448.40 17.70
 449.16 17.73
 449.92 17.76
 450.68 17.79
 451.44 17.82
 452.20 17.85
 452.96 17.88
 453.72 17.91
 454.48 17.94
 455.24 17.97
 456.00 18.00
 456.76 18.03
 457.52 18.06
 458.28 18.09
 459.04 18.12
 459.80 18.15
 460.56 18.18
 461.32 18.21
 462.08 18.24
 462.84 18.27
 463.60 18.30
 464.36 18.33
 465.12 18.36
 465.88 18.39
 466.64 18.42
 467.40 18.45
 468.16 18.48
 468.92 18.51
 469.68 18.54
 470.44 18.57
 471.20 18.60
 471.96 18.63
 472.72 18.66
 473.48 18.69
 474.24 18.72
 475.00 18.75
 475.76 18.78
 476.52 18.81
 477.28 18.84
 478.04 18.87
 478.80 18.90
 479.56 18.93
 480.32 18.96
 481.08 18.99
 481.84 19.02
 482.60 19.05
 483.36 19.08
 484.12 19.11
 484.88 19.14
 485.64 19.17
 486.40 19.20
 487.16 19.23
 487.92 19.26
 488.68 19.29
 489.44 19.32
 490.20 19.35
 490.96 19.38
 491.72 19.41
 492.48 19.44
 493.24 19.47
 494.00 19.50
 494.76 19.53
 495.52 19.56
 496.28 19.59
 497.04 19.62
 497.80 19.65
 498.56 19.68
 499.32 19.71
 500.08 19.74
 500.84 19.77
 501.60 19.80
 502.36 19.83
 503.12 19.86
 503.88 19.89
 504.64 19.92
 505.40 19.95
 506.16 19.98
 506.92 20.01
 507.68 20.04
 508.44 20.07
 509.20 20.10
 509.96 20.13
 510.72 20.16
 511.48 20.19
 512.24 20.22
 513.00 20.25
 513.76 20.28
 514.52 20.31
 515.28 20.34
 516.04 20.37
 516.80 20.40
 517.56 20.43
 518.32 20.46
 519.08 20.49
 519.84 20.52
 520.60 20.55
 521.36 20.58
 522.12 20.61
 522.88 20.64
 523.64 20.67
 524.40 20.70
 525.16 20.73
 525.92 20.76
 526.68 20.79
 527.44 20.82
 528.20 20.85
 528.96 20.88
 529.72 20.91
 530.48 20.94
 531.24 20.97
 532.00 21.00
 532.76 21.03
 533.52 21.06
 534.28 21.09
 535.04 21.12
 535.80 21.15
 536.56 21.18
 537.32 21.21
 538.08 21.24
 538.84 21.27
 539.60 21.30
 540.36 21.33
 541.12 21.36
 541.88 21.39
 542.64 21.42
 543.40 21.45
 544.16 21.48
 544.92 21.51
 545.68 21.54
 546.44 21.57
 547.20 21.60
 547.96 21.63
 548.72 21.66
 549.48 21.69
 550.24 21.72
 551.00 21.75
 551.76 21.78
 552.52 21.81
 553.28 21.84
 554.04 21.87
 554.80 21.90
 555.56 21.93
 556.32 21.96
 557.08 21.99
 557.84 22.02
 558.60 22.05
 559.36 22.08
 560.12 22.11
 560.88 22.14
 561.64 22.17
 562.40 22.20
 563.16 22.23
 563.92 22.26
 564.68 22.29
 565.44 22.32
 566.20 22.35
 566.96 22.38
 567.72 22.41
 568.48 22.44
 569.24 22.47
 570.00 22.50
 570.76 22.53
 571.52 22.56
 572.28 22.59
 573.04 22.62
 573.80

APPLICABLE SAE STANDARD OR RECOMMENDED PRACTICE SAE J259

956-4107

COLE-HERSEE CO.

EX-14258



RATINGS AT 12 V.D.C.	
ACC. CIRCUIT	10 AMPS
IGN.	10
ST.	5

DIMENSIONS: MILLIMETERS [INCHES]

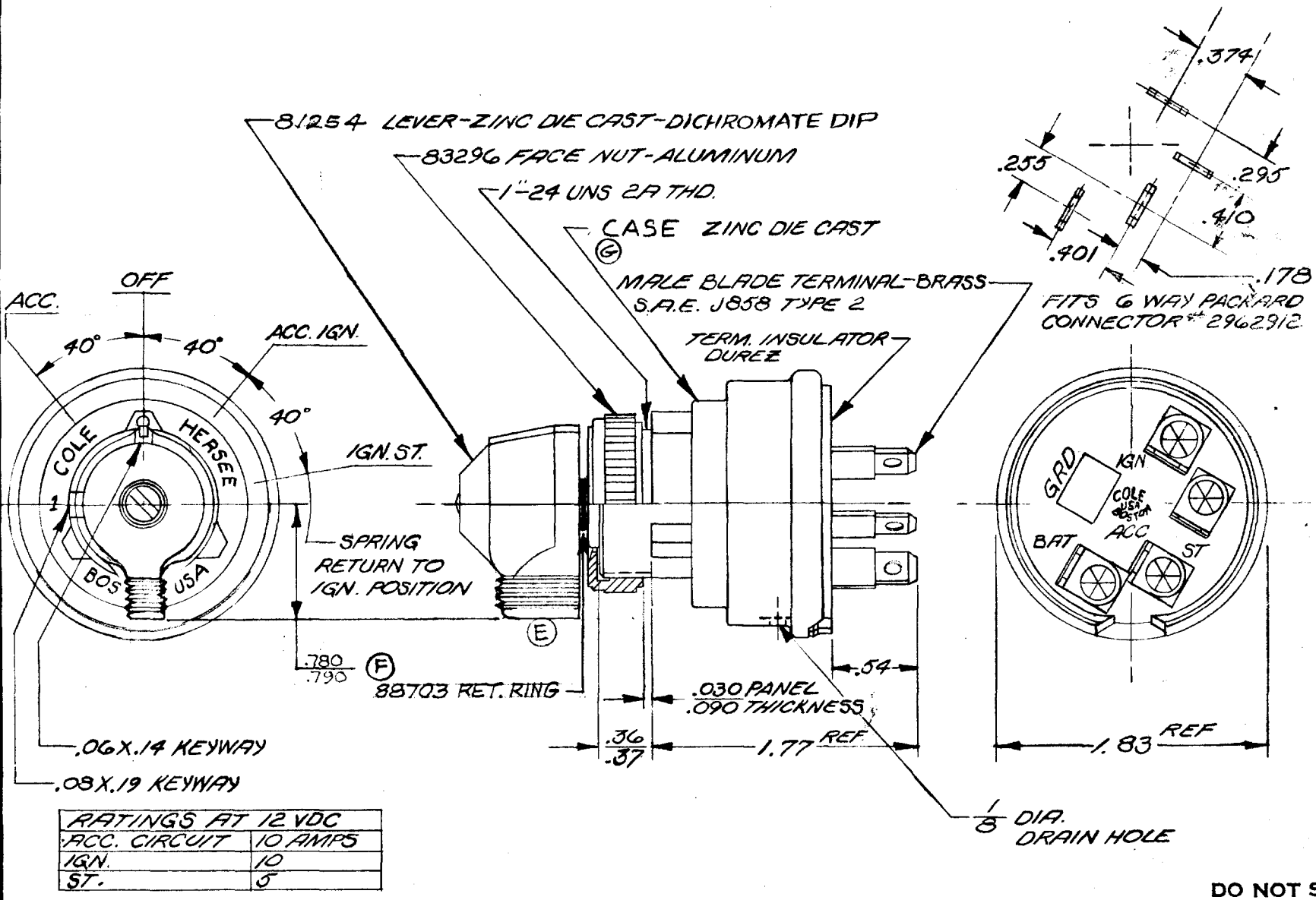
NOTE:
 1) SHAFT O-RING SEALED TO HOUSING
 2) TERMINAL INSULATOR (GASKET SEALED)
 3) ALL STEEL PARTS PLATED
 DO NOT SCALE

LET	WAS	DATE	BY	LET	WAS	DATE	BY	MATERIAL	DRAWN	CHECKED	APPR'D.	SCALE	DATE DRAWN			
								— #	CF	UM		1:1	9-20-66			
				G	ECN 0137	3/1/60	AM	FINISH	COLE-HERSEE COMPANY BOSTON, MASS. 02127, U.S.A. 4 POSITION IGN. & START SWITCH				DATE BLUEPRINT			
				F	ADD 125234	12/18/92	JH	— #								
				E	HOUSING	8-13-82	PH	TOLERANCES								
				D	REDRAWN	2-11-76	WJ	FRACTIONAL ±					956-4107			
								DECIMAL ±.010								

COLE-HERSEE CO. TSE-#1034

APPLICABLE SAE STANDARD OR RECOMMENDED PRACTICE SAE J259

956-4111



RATINGS AT 12 VDC	
ACC. CIRCUIT	10 AMPS
IGN.	10
ST.	5

DO NOT SCALE

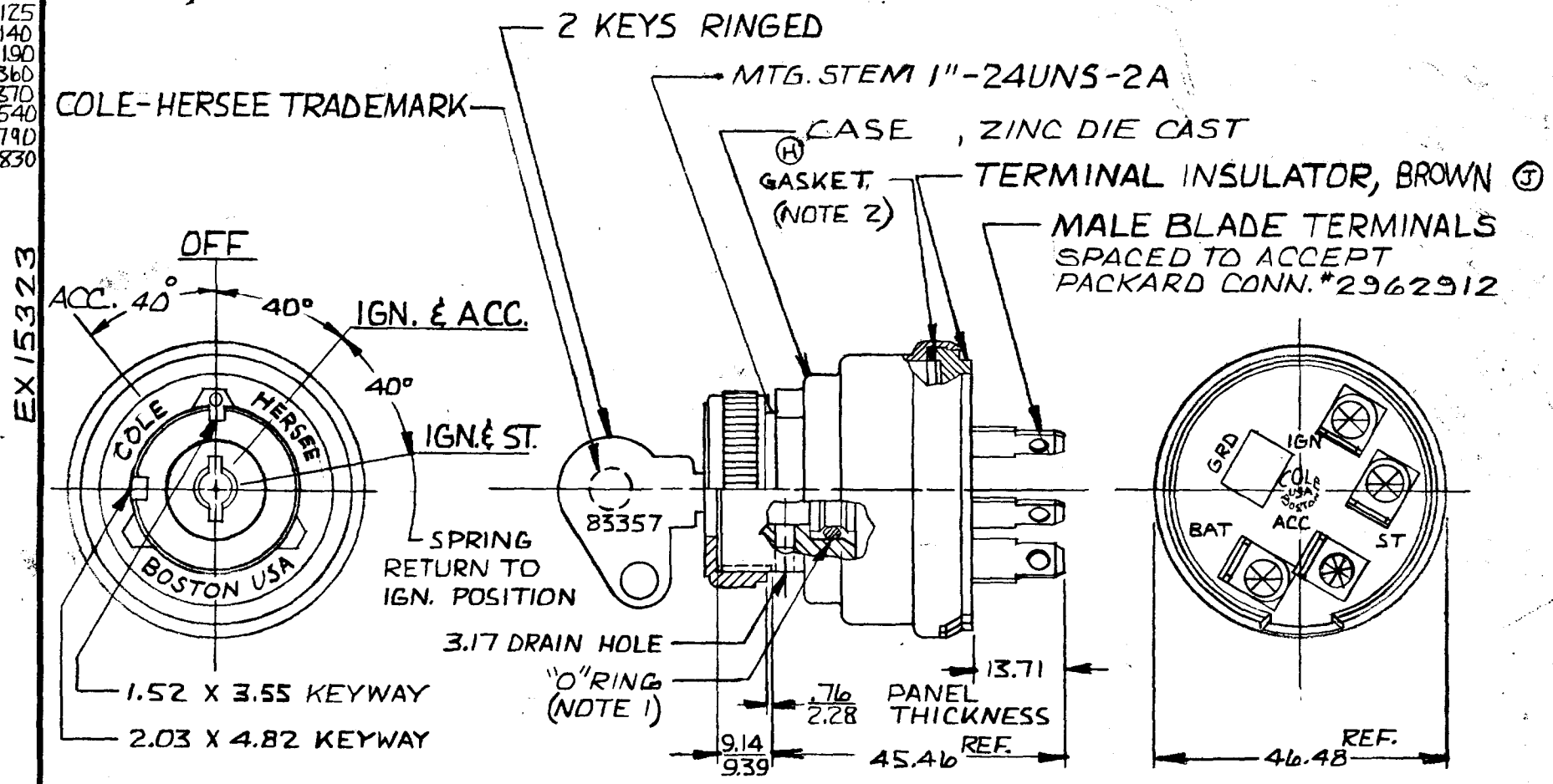
LET	WAS	DATE	BY	LET	WAS	DATE	BY	MATERIAL	DRAWN	CHECKED	APPR'D.	SCALE	DATE DRAWN
				G	HOUSING	8-13-66	CR	///	N.B	UNCL		FULL	1-18-68
				F	ADDED RING/20329	10-13-78	RR	FINISH	COLE-HERSEE COMPANY BOSTON, MASS. 02127, U.S.A.				DATE BLUEPRINT
				E	LEVER/10343	4-8-77	RE	///					4 POSITION IGN. & START SWITCH
				D	SAE SPEC ADDED	3-5-74	W	TOLERANCES					
				C	NO CHANGE	3-21-75	JB	FRACTIONAL ±					
								DECIMAL ±.010					

SPAULDING CO., INC. 47570

MM.	IN.
.25	.010
.76	.030
1.52	.060
2.03	.080
2.28	.090
3.17	.125
3.55	.140
4.82	.190
9.14	.360
9.39	.370
13.71	.540
45.46	1.790
46.48	1.830

956-4113

APPLICABLE SAE STANDARD OR
RECOMMENDED PRACTICE SAE J 259



RATING AT 12 VDC	
IGN	10 AMPS
START	5 AMPS
ACC	30 AMPS

METRIC

- NOTE:
1. SHAFT "O" RING SEALED TO HOUSING
 2. TERMINAL INSULATOR GASKET SEALED

DO NOT SCALE

LET.	WAS	DATE	BY	LET.	WAS	DATE	BY	MATERIAL	DRAWN	CHECKED	APPR'VD.	SCALE	DATE DRAWN
								H	CF	LP6		1:1	3-6-69
								FINISH					DATE BLUEPRINT
				J	ECN 25189	8-13-92	JH						
				H	HOLISING	8-13-88	PS	TOLERANCES					
				G	REDRAWN NO CHANGE	2-26-81	EA	DECIMAL ± METRIC ±.25					
<p>Cole Hersee Co. 20 OLD COLONY AVENUE, SOUTH BOSTON, MA. U.S.A. 02117</p>													
<p>4 POSITION IGN. & START SWITCH</p>												956-4113	

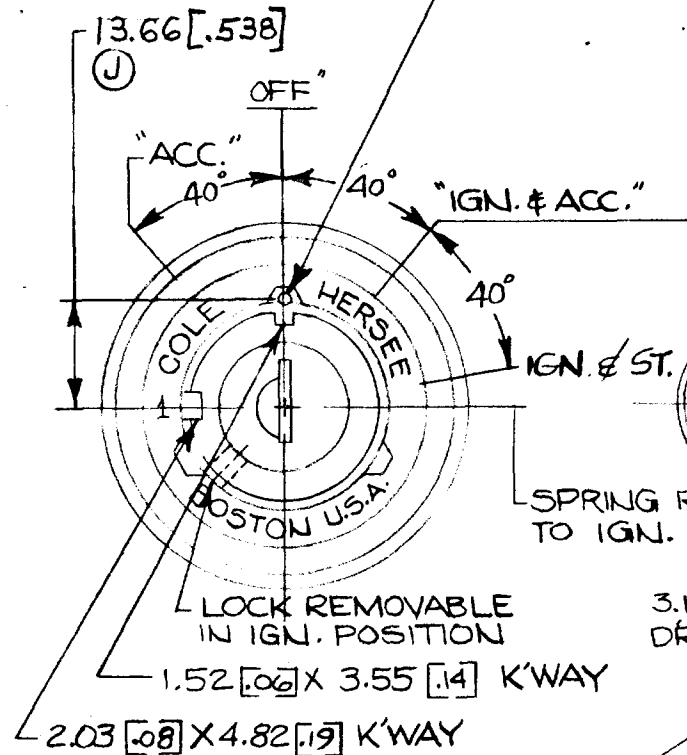
CH-188(4-78)

COLE-HERSEE CO. NPM 9-27-71
EX 16009 E

APPLICABLE SAE STANDARD OR RECOMMENDED PRACTICE SAE J259

956-4116

1.57 [.062] DIA. x 1.01 [.040] HIGH PIN.
①



LOCK REMOVABLE IN IGN. POSITION
PERMANENTLY MARK SWITCH NO. & DATE CODE ON SIDE OF CASE

TUMBLER #2 KEYS-RINGED

FACE NUT-ALUMINUM

1-24 UNS-2A THD.

CASE - ZINC DIE CAST

TERM. INSULATOR - BROWN ②

MALE BLADE TERMS-BRS. SAE J858 TYPE 2 SPACED TO ACCEPT PACKARD ELEC. CONN. NO. 962912

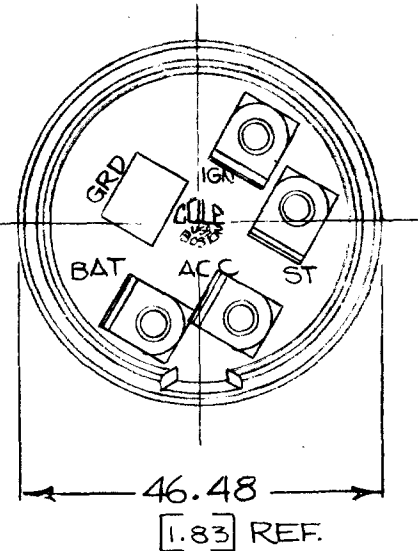
3.17 [.125] DR. HOLE

9.14 [.36] / 9.39 [.37]

.76 [.030] / 2.28 [.090] PANEL THICK.

13.71 [.54]

44.95 [1.77] REF.



- 1) DIMENSIONS : MILLIMETERS [INCHES]
- 2) SILVER LAMINATED CONTACT SURFACES
- 3) SHUTTER TYPE SEAL ON LOCK FACE
- 4) SHOULDER TYPE RIVET CONSTRUCTION
- 5) TERM. INSUL. GASKET SEALED

DO NOT SCALE

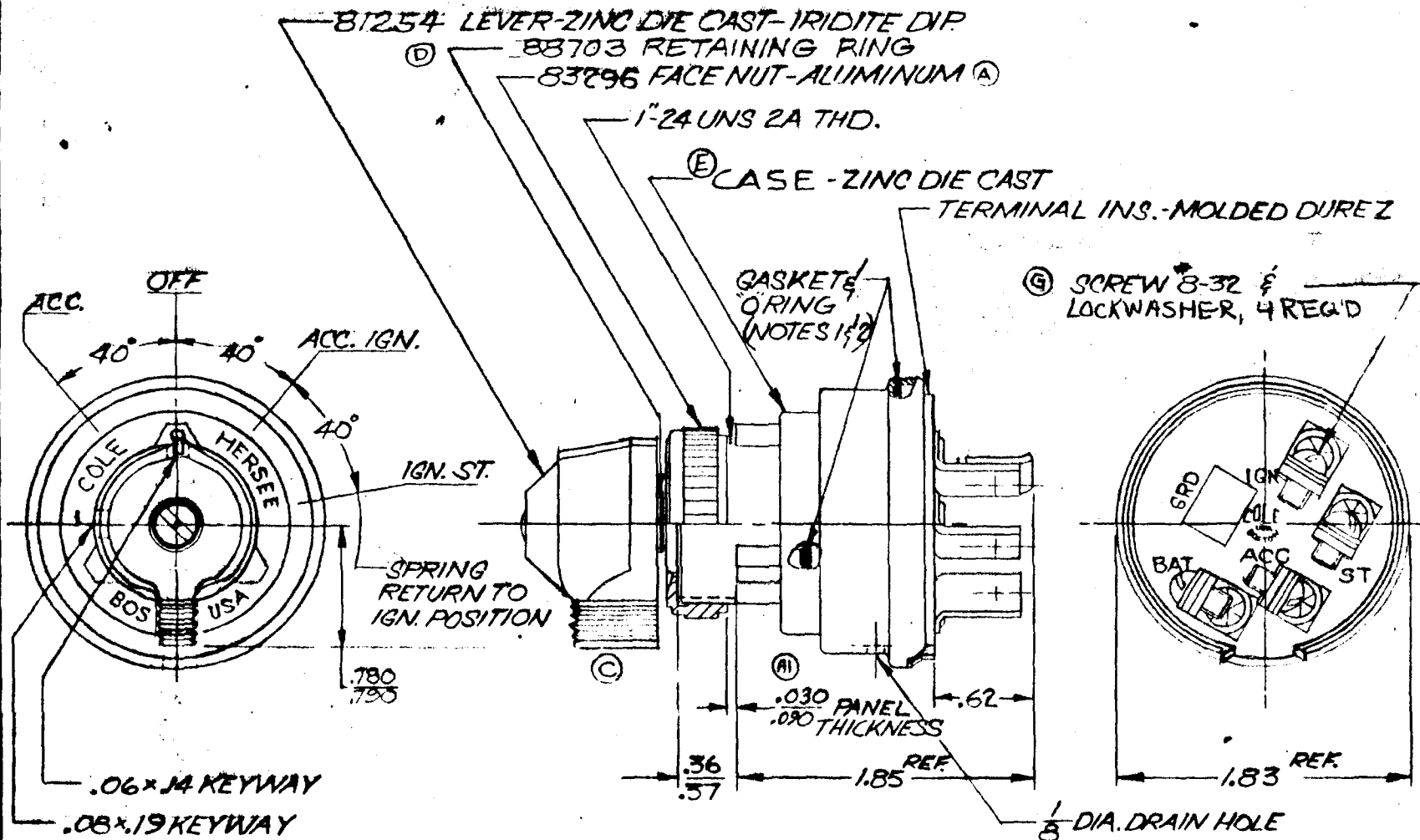
LET	WAS	DATE	BY	LET	WAS	DATE	BY	MATERIAL	DRAWN	CHECKED	APPR'D.	SCALE	4100 W/SILVER CONTACTS & FIBERITE TERM. INSUL.	DATE DRAWN
								NOTED	RW	B		1:1		9-16-71
				K	ECN 25189	4/2/72	TJH	FINISH	COLE-HERSEE COMPANY BOSTON, MASS. 02127, U.S.A.					DATE BLUEPRINT
				J	REVISEL/2245	6/6/84	YAK	11						
				H	HOUSING	8-13-88	PPS	TOLERANCES	4 POSITION IGNITION & START SWITCH					956-4116
				G	REDRAWN	7-21-75	JWH	FRACTIONAL ± DECIMAL ±.010						

APPLICABLE SAE STANDARD OR RECOMMENDED PRACTICE SAEJ259

956-4124

NPM. 4-10-72

EX NONE



RATINGS AT 12V D.C.	
ACC. CIRCUIT	10 AMPS
IGN.	10
BT.	5

- NOTES:
1. SHAFT O-RING SEALED TO HOUSING.
 2. TERMINAL INSULATOR GASKET SEALED.
 3. ALL STEEL PARTS PLATED

DO NOT SCALE

LET	WAS	DATE	BY	LET	WAS	DATE	BY	MATERIAL	DRAWN	CHECKED	APPR'D	SCALE	Blk. 956 4111	DATE DRAWN
				C	81254 LEVER / 19843	4-6-72	RMT	—	CT	REC		FULL		1-12-72
G	ECN #00138	3/1/00	KE	B	SAE SPEC ADDED	3-5-74	3W	FINISH	COLE-HERSEE COMPANY BOSTON, MASS. 02127, U.S.A.					DATE BLUEPRINT
F	NOT ADDED / 25234	12/22/92	JH	A1	.060 / .110	17877	LY	—						4 POSITION IGN. & START SWITCH
E	HOUSING	8-6-86	P	A	83344	17877	B	TOLERANCES FRACTIONAL ±						
D	RING / 20329	10-18-78	R		ISSUE	(1-12-71)		DECIMAL ±0.010						

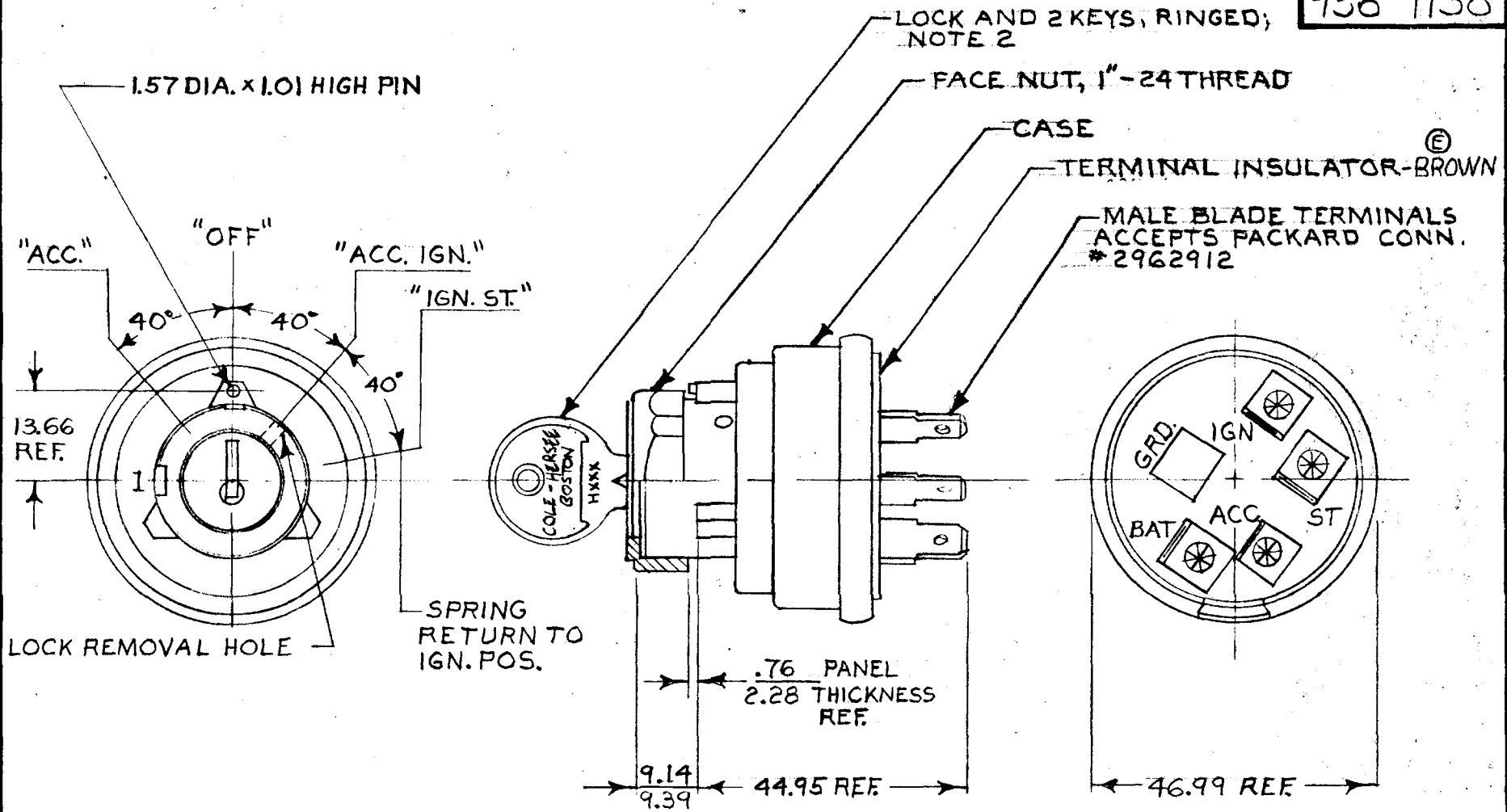
SPAULDING CO., INC.

COLE-HERSEE CO.

MM IN
 .76 .03
 2.28 .09
 9.14 .36
 9.39 .37
 13.66 .538
 25.65 1.01
 39.88 1.57
 44.95 1.77
 46.99 1.85

956-4138


NPM 8-30-77



- NOTES:
1. SWITCH DESIGNED TO PERMIT REMOVAL OF TUMBLER LOCK IN ACC. POSITION
 2. SWITCH SUPPLIED WITH STRATTEC[®] TUMBLER LOCK NO. 85144.
 3. ALL STEEL PARTS PLATED

METRIC

DO NOT SCALE

LET.	WAS	DATE	BY	LET.	WAS	DATE	BY	MATERIAL	DRAWN	CHECKED	APPR'D.	SCALE	DATE DRAWN
								<i>KG</i>	<i>KG</i>	<i>KG</i>		1:1	2-5-76
				G	ECN# 27087	10/21/97	AJS	FINISH	 Cole Hersee Co. <small>26 OLD COLONY AVENUE, SOUTH BOSTON, MA, U.S.A. 02177</small>				DATE BLUEPRINT
				F	ECN # 26335	10/17/96	Jmp						
				E	ECN 25189	8-14-92	TJH	TOLERANCES	SWITCH IGNITION & START 4 POS.				956-4138
				L	REDRAWN	8-15-89	VK	DECIMAL ± METRIC ±					

CH-188(4-78)

RATING AT 12 V.D.C.

ACC CIRCUIT	20 AMPS
IGN. CIRCUIT	20 AMPS
ST. CIRCUIT	20 AMPS

TERMINAL INSULATOR, BROWN

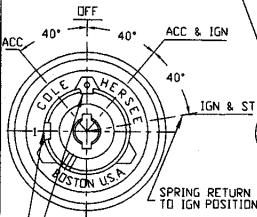
HENCOL KEY (2 KEYS RINGED)

FACE NUT, ALUMINUM

1-24-UNS-2A THD
CASE, ZINC DIE CAST
GASKET,
VELLUMOID
(NOTE #2)

"O"-RING
(NOTE #1)

SCREW #8-32 &
LOCKWASHER, 4 REQ'D



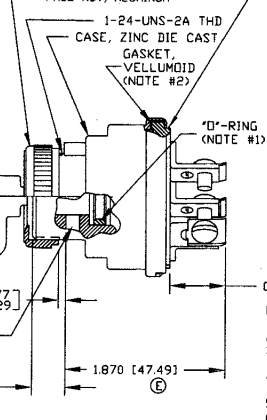
SPRING RETURN
TO IGN POSITION

PANEL 0.030
THICKNESS 0.090 [0.77
2.29]

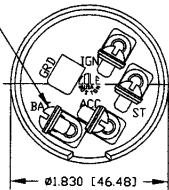
0.125 [3.17] DRAIN HOLE

0.060 [1.52] x 0.140 [3.55] KEYWAY

0.360 [9.14
0.370 [9.39]



0.620 [15.74]



NOTES:

1. SHAFT O RING SEALED TO HOUSING
2. TERMINAL INSULATOR GASKET SEALED
3. SILVER LAMINATED CONTACT SURFACE AT TERMINALS
4. SOLID SILVER RIVETS ON MOVING CONTACT
5. ALL STEEL PARTS PLATED
6. ALL DIMENSIONS REFERENCE ONLY UNLESS NOTED OTHERWISE

TOLERANCES - Unless otherwise specifically noted, the following are default tolerances:
 * 2-place Decimal Dimensiones - ".XZ"
 * 3-place Decimal Dimensiones - ".XXX"
 * Angular Dimensiones - ".1-1.5 Deg."
 * Metric: Refer to equivalent English Dimension Tolerance
 *** NOTE: All tolerances are *Non-Cumulative*. ***

Dimensional Units - All dimensiones are expressed in inches except those shown in brackets (xxx) are expressed in millimetres

"NIP" or an Annotated "N" - Non-Tolerance Reference Dimension, shown for distribution purposes only.

Used On or Ref. CONTACTS

Scale: **1:1**

PROPRIETARY INFORMATION - This Engineering Drawing, and the information contained herein, is proprietary to Cole Hersee Company and may not be disclosed, reproduced, or in any other way transmitted or communicated to any other party without the express written consent of an authorized representative of Cole Hersee Company.

DESIGN CONTROL - It is the responsibility of the individual user/manufacturer of this drawing to ensure that the stated design revision level agrees with the revision level of the Controlled Document (Master Drawing). This is a **NON-CONTROLLED DOCUMENT** unless otherwise specifically noted.

DO NOT SCALE! - Dimensional variation may occur during printing/ reproduction.

Drawn **VK** Date **9/5/78**

Key for Special Characteristics:

- ⊕ Critical Characteristics, relating to Safety under Regulatory Compliance
- X Significant Characteristics relating to Process Control (SPC)
- ⊙ Control Dimension relating to Form - Fit - Function as defined by Cole Hersee Company and/or the Customer

Note that the identification of any Characteristics as being "Special" does not alter the requirement that ALL specified dimensiones & tolerances must be met.

Responsible Engineer: **N/A** Pg. 1 of 1

Revision Control Record

Rev.	Description of Change	ECN No.	Date
E	FIXED DIMENSION	01438	7/26/01

Cole Hersee Co.
 20 Old Colony Ave., South Boston, MA, 02127
 Phone: 617-288-2100 Web: www.colehersee.com

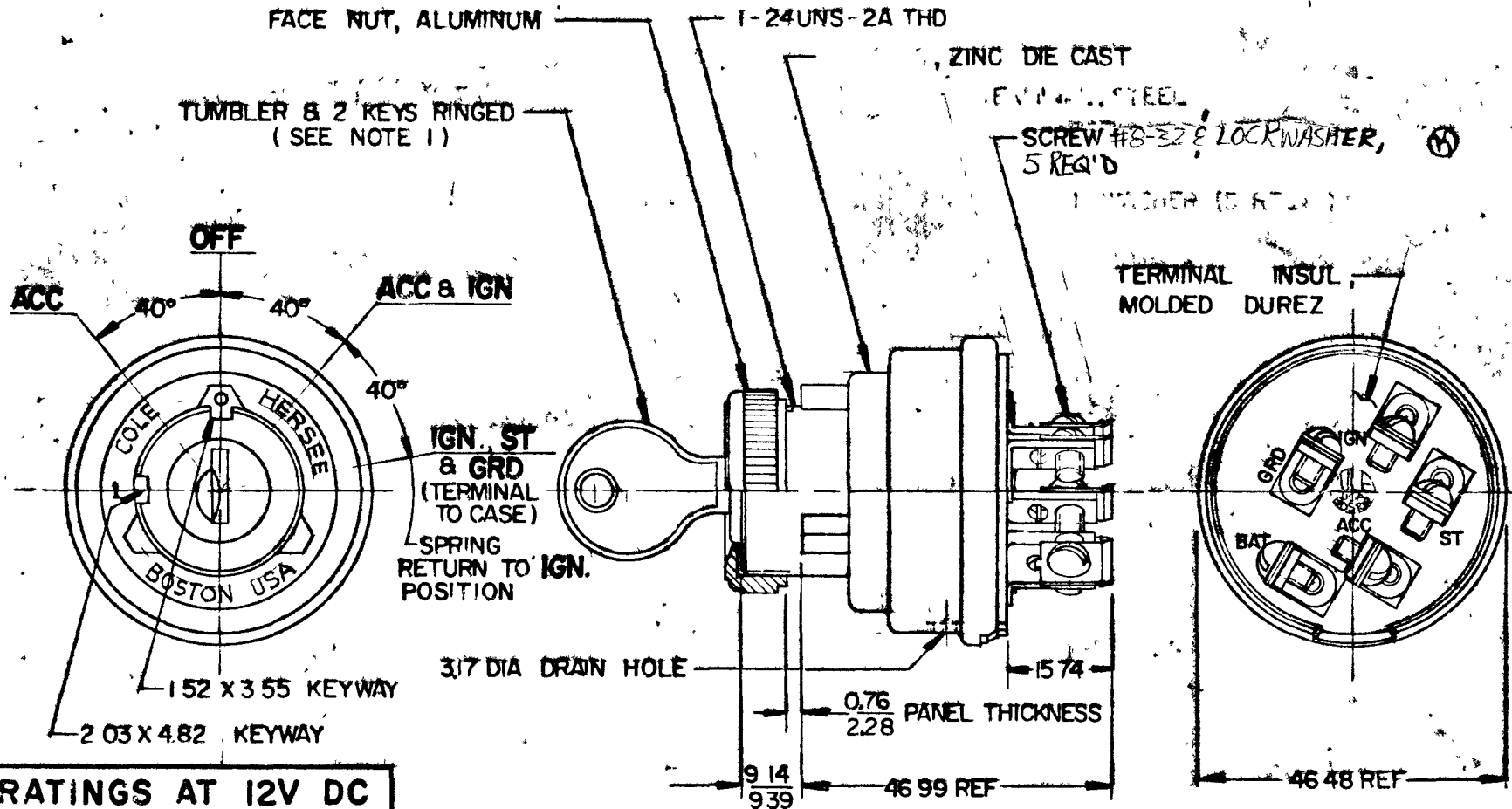
Description: 4 POSITION IGNITION & START SWITCH

Drawing / Part No.: **956-4141** Current Rev. **E**

MM	N
0.25	.00
0.76	.030
1.52	.060
2.03	.080
2.28	.090
3.17	.125
3.55	.140
4.82	.190
9.14	.360
9.99	.370
15.74	.620
46.48	1.830
46.99	1.850

APPLICABLE SAE STANDARD OR RECOMMENDED PRACTICE SAE J259

956-4154



RATINGS AT 12V DC

ACC CIRCUIT	10 AMPS
IGN CIRCUIT	10 AMPS
ST CIRCUIT	5 AMPS
GRD CIRCUIT	1 AMP

METRIC

NOTES:

- 1 SHUTTER TYPE SEAL ON LOCK FACE
- 2 ALL STEEL PARTS PLATED WITH ...

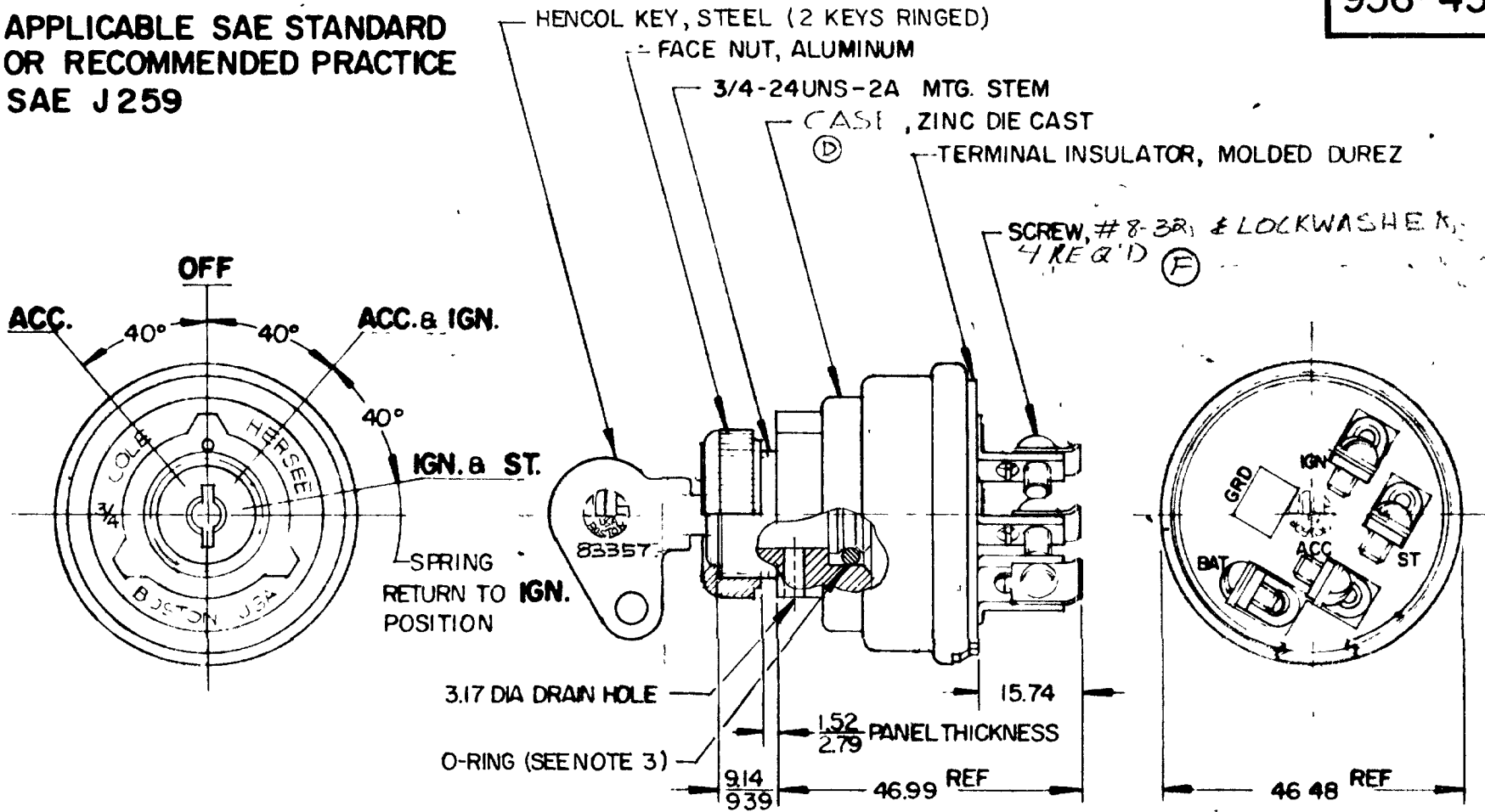
DO NOT SCALE

LET	WAS	DATE	BY	LET	WAS	DATE	BY	MATERIAL	DRAWN	CHECKED	APPR'D	SCALE	DATE DRAWN
								—H—	C F	4/13/78		FULL	2-23-67
								FINISH	COLE-HERSEE COMPANY				DATE BLUEPRINT
									BOSTON, MASS 02127, U.S.A.				
								TOLERANCES	4-POSITION				956-4154
								FRACTIONAL ±	IGNITION & START SWITCH				
								DECIMAL ±0.25					

MM	IN
0.25	.010
1.27	.050
2.54	.100
3.81	.150
5.08	.200
6.35	.250
7.62	.300
8.91	.350
10.16	.400
12.70	.500
15.24	.600
17.78	.700
20.32	.800
22.86	.900
25.40	1.000
27.94	1.100
30.48	1.200
33.02	1.300
35.56	1.400
38.10	1.500
40.64	1.600
43.18	1.700
45.72	1.800
48.26	1.900
50.80	2.000

956-4307

APPLICABLE SAE STANDARD
OR RECOMMENDED PRACTICE
SAE J259



RATINGS AT 12 V.D.C.

ACC. CIRCUIT	10 AMPS
IGN. "	10 "
ST. "	5 "

METRIC

NOTES:

- 1 TERMINAL INSUL GASKET SEALED
- 2 ALL STEEL PARTS PLATED
- 3 SHAFT O-RING SEALED TO HOUSING.

DO NOT SCALE

LET	WAS	DATE	BY	LET	WAS	DATE	BY	MATERIAL	DRAWN	APPRVD	SCALE	DATE DRAWN
								#	CF		11	12-12-66
				F	ECN 00137	3/1/00	HA	FINISH				DATE BLUEPRINT
				I	CAD OR ZINC/25234	12/18/92	111	#				
				D	HOUSING	8-16-82	PB	TOLERANCES				
				C	REDRAWN	5-21-79	JV	DECIMAL ± .010				
								METRIC ± .25				

CH Cole Hersee Co.
7700 AVENUE SIX - BOSTON, MASS. U.S.A. 02130

4- POSITION
IGNITION & START SWITCH

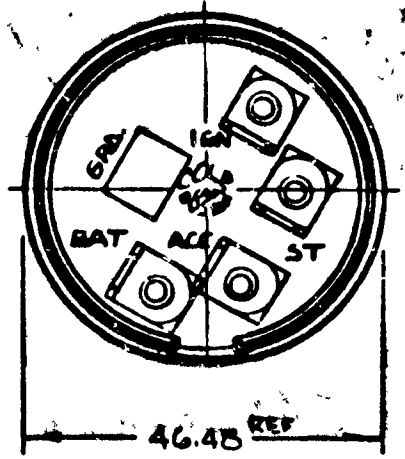
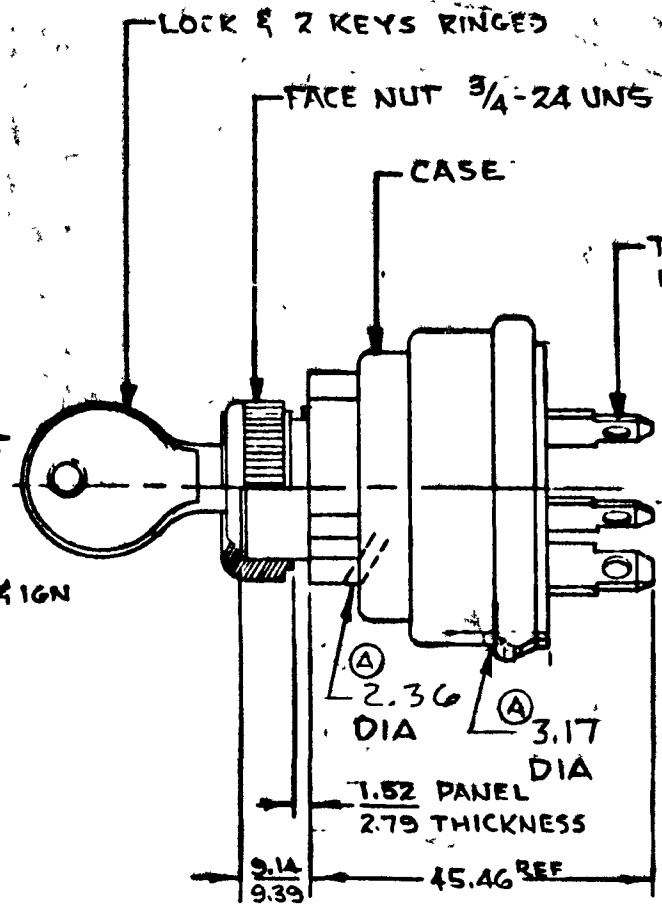
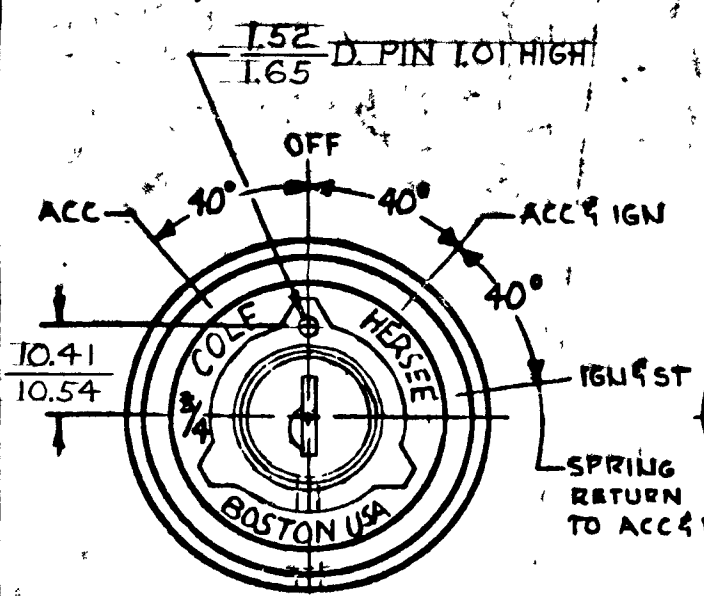
956-4307

CH 188(4 78)

MM	IN
1.01	.040
1.52	.060
1.65	.065
2.79	.110
3.14	.125
3.39	.130
3.70	.145
4.10	.160
4.15	.165
1.750	.06875
1.830	.07200
.093	.00375
.125	.00500

956-4311

APPLICABLE SAE STANDARD OR
RECOMMENDED PRACTICE SAE J269



EX 20121

ST	5 AMPS
IGN	10 AMPS
ACC	10 AMPS

RATING @ 12V DC

METRIC

- NOTES:
1. SHUTTER SEAL ON LOCK FACE
 2. LOCK O RING SEALED TO CASE
 3. TERM. INSULATOR GASKET SEALED
 - ④ 4. DRAIN HOLES ARE IN LINE 90° FROM & SHOWN

DO NOT SCALE

LET	WAS	DATE	BY	LET	WAS	DATE	BY	MATERIAL	DRAWN	CHECKED	APPROVD.	SCALE	DATE DRAWN
								#	RJF	RFB		1"=1"	6-17-83
								FINISH					DATE BLUEPRINT
				A		ADD'D DIM'S ECN 72701	7-2-83	ISSUED					956-4311
								TOLERANCES DECIMAL ±.010 METRIC ±2.54					

CH. Cole Hersee Co.
A SAE MEMBER COMPANY, MEMBER OF THE SAE GROUP

4 POSITION
IGNITION & START SWITCH

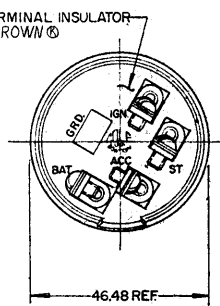
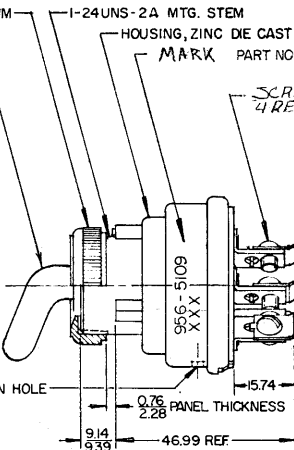
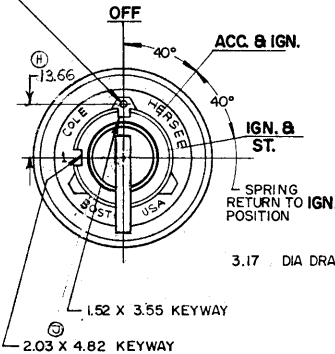
APPLICABLE SAE STANDARD OR RECOMMENDED PRACTICE SAE J259

956-5109

FACE NUT, ALUMINUM
 LEVER, ZINC DIE CAST, CHROME PLT.
 HOUSING, ZINC DIE CAST
 MARK PART NO. & DATE CODE AT RANDOM (N)

① 1.57 DIA. x 1.01 HIGH PIN

SCREW, # 8-32, & LOCKWASHER
 4 REQ'D (M)



- NOTE:
 1. TERMINAL INSULATOR GASKET SEALED
 2. SHOULDER TYPE RIVET CONSTRUCTION
 3. SILVER LAMINATED CONTACT SURFACES
 ④ 4. ALL STEEL PARTS PLATED

METRIC

Confidential Property of Cole Hersee

DO NOT SCALE

LET	WAS	DATE	BY	LET	WAS	DATE	BY	MATERIAL	DRAWN	CHECKED	APPROV'D	SCALE	DATE DRAWN
				L	CAD CR ZINC 25034	12/29/70	BJ	—	RW			1:1	9-16-71
				K	ECN 25189	8/13/72	SH	FINISH					
				J	DELTA NOTE 23263	9-30-86	ZU	—					DATE BLUEPRINT
N	ECN 200422	6/6/00	MK	H	REVISED 22457	6/6/04	JK	TOLERANCES					
M	ECN 00137	3/1/00	WH	G	REDRAWN	1-19-78	RE	FRACTIONAL ±					
								DECIMAL ± .25					



**3 - POSITION
 IGNITION & START SWITCH**

956-5109

MM
 0.25
 0.75
 1.01
 1.52
 1.57
 2.03
 2.28
 3.17
 3.55
 4.82
 9.14
 9.39
 46.48
 46.99
 13.66

① P.M. 9-28-71
 -X-16003C

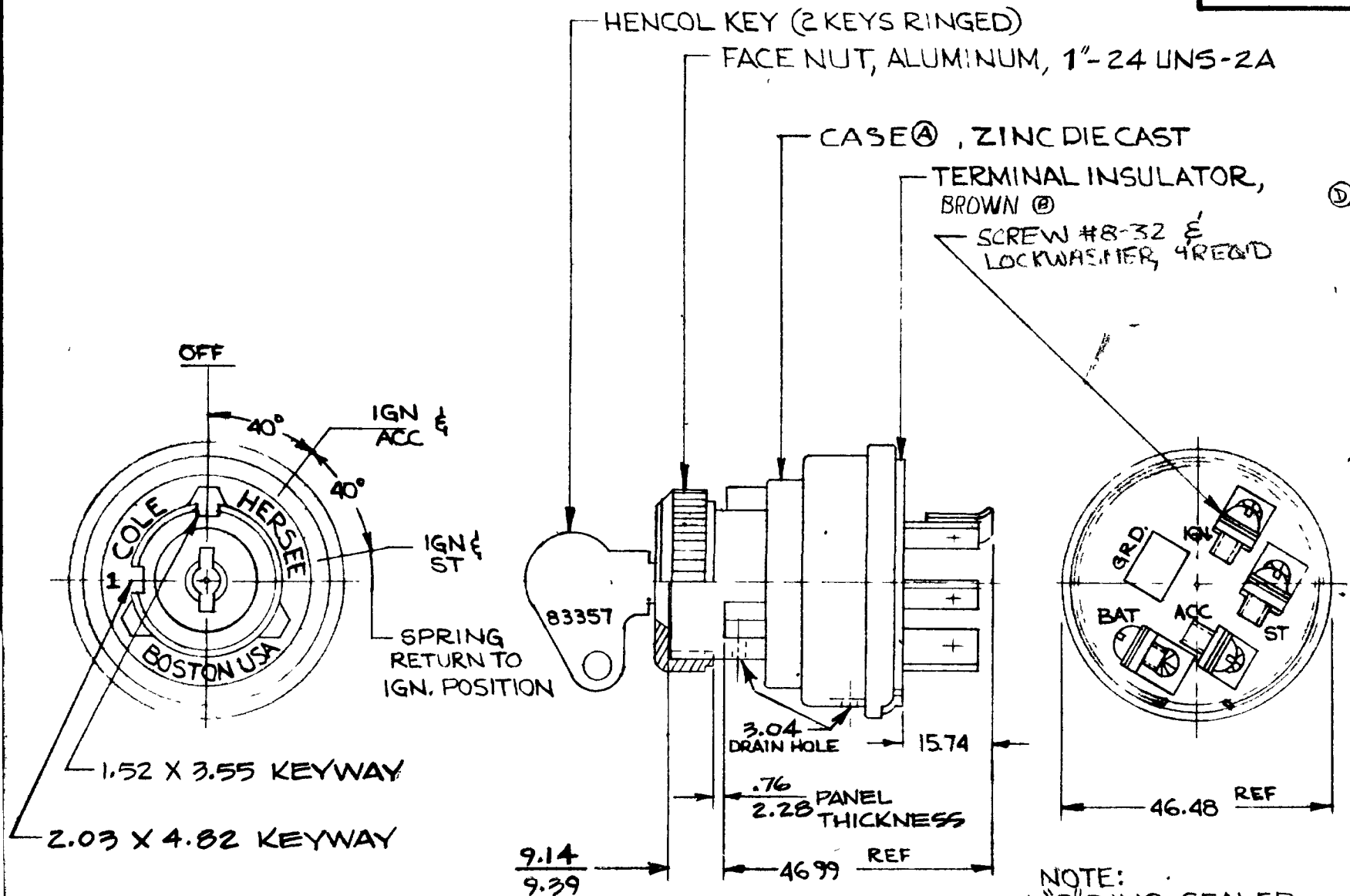
MIM	IN
0.2	0.008
0.4	0.016
0.8	0.032
1.6	0.064
3.2	0.128
6.4	0.256
12.8	0.512
25.6	1.024
51.2	2.048
102.4	4.096
204.8	8.192
409.6	16.384
819.2	32.768
1638.4	65.536
3276.8	131.072
6553.6	262.144
13107.2	524.288
26214.4	1048.576
52428.8	2097.152
104857.6	4194.304
209715.2	8388.608
419430.4	16777.216
838860.8	33554.432
1677721.6	67108.864
3355443.2	134217.728
6710886.4	268435.456
13421772.8	536870.912
26843545.6	1073741.824
53687091.2	2147483.648
107374182.4	4294967.296
214748364.8	8589934.592
429496729.6	17179869.184
858993459.2	34359738.368
1717986918.4	68719476.736
3435973836.8	137438953.472
6871947673.6	274877906.944
13743895347.2	549755813.888
27487790694.4	1099511627.776
54975581388.8	2199023255.552
109951162777.6	4398046511.104
219902325555.2	8796093022.208
439804651110.4	17592186044.416
879609302220.8	35184372088.832
1759218604441.6	70368744177.664
3518437208883.2	140737488355.328
7036874417766.4	281474976710.656
14073748835532.8	562949953421.312
28147497671065.6	1125899906842.624
56294995342131.2	2251799813685.248
112589990684262.4	4503599627370.496
225179981368524.8	9007199254740.992
450359962737049.6	18014398509481.984
900719925474099.2	36028797018963.968
1801439850948198.4	72057594037927.936
3602879701896396.8	144115188075855.872
7205759403792793.6	288230376151711.744
1441151880758558.72	576460752303423.488
2882303761517117.44	1152921504606846.976
5764607523034234.88	2305843009213693.952
1152921504606846.976	4611686018427387.904
2305843009213693.952	9223372036854775.808
4611686018427387.904	18446744073709551.616
9223372036854775.808	36893488147419103.232
18446744073709551.616	73786976294838206.464
36893488147419103.232	147573952589676412.928
73786976294838206.464	295147905179352825.856
147573952589676412.928	590295810358705651.712
295147905179352825.856	1180591620717411303.424
590295810358705651.712	2361183241434822606.848
1180591620717411303.424	4722366482869645213.696
2361183241434822606.848	9444732965739290427.392
4722366482869645213.696	18889465931478580854.784
9444732965739290427.392	37778931862957161709.568
18889465931478580854.784	75557863725914323419.136
37778931862957161709.568	151115727451828646838.272
75557863725914323419.136	302231454903657293676.544
151115727451828646838.272	604462909807314587353.088
302231454903657293676.544	1208925819614629174706.176
604462909807314587353.088	2417851639229258349412.352
1208925819614629174706.176	4835703278458516698824.704
2417851639229258349412.352	9671406556917033397649.408
4835703278458516698824.704	19342813113834066795298.816
9671406556917033397649.408	38685626227668133590597.632
19342813113834066795298.816	77371252455336267181195.264
38685626227668133590597.632	154742504910672534362390.528
77371252455336267181195.264	309485009821345068724781.056
154742504910672534362390.528	618970019642690137449562.112
309485009821345068724781.056	1237940039285380274899124.224
618970019642690137449562.112	2475880078570760549798248.448
1237940039285380274899124.224	4951760157141521099596496.896
2475880078570760549798248.448	9903520314283042199192993.792
4951760157141521099596496.896	19807040628566084398385987.584
9903520314283042199192993.792	39614081257132168796771975.168
19807040628566084398385987.584	79228162514264337593543950.336
39614081257132168796771975.168	158456325028528675187087900.672
79228162514264337593543950.336	316912650057057350374175801.344
158456325028528675187087900.672	633825300114114700748351602.688
316912650057057350374175801.344	1267650600228229401496703205.376
633825300114114700748351602.688	2535301200456458802993406410.752
1267650600228229401496703205.376	5070602400912917605986812821.504
2535301200456458802993406410.752	10141204801825835211973625643.008
5070602400912917605986812821.504	20282409603651670423947251286.016
10141204801825835211973625643.008	40564819207303340847894502572.032
20282409603651670423947251286.016	81129638414606681695789005144.064
40564819207303340847894502572.032	162259276832213363391578010288.128
81129638414606681695789005144.064	324518553664426726783156020576.256
162259276832213363391578010288.128	649037107328853453566312041152.512
324518553664426726783156020576.256	1298074214577706907132624022305.024
649037107328853453566312041152.512	2596148429155413814265248044610.048
1298074214577706907132624022305.024	5192296858310827628530496089220.096
2596148429155413814265248044610.048	10384593716621655257060992178440.192
5192296858310827628530496089220.096	20769187433243310514121984356880.384
10384593716621655257060992178440.192	41538374866486621028243968713760.768
20769187433243310514121984356880.384	83076749732973242056487937427521.536
41538374866486621028243968713760.768	166153499465946484112975874855043.072
83076749732973242056487937427521.536	332306998931892968225951749710086.144
166153499465946484112975874855043.072	664613997863785936451903499420172.288
332306998931892968225951749710086.144	1329227995727571872903806998840344.576
664613997863785936451903499420172.288	2658455991455143745807613997680689.152
1329227995727571872903806998840344.576	5316911982910287491605227995361378.304
2658455991455143745807613997680689.152	1063382396582057498321045599072275.608
5316911982910287491605227995361378.304	2126764793164114996642091198144551.216
1063382396582057498321045599072275.608	4253529586328229993284182396289102.432
2126764793164114996642091198144551.216	850705917265645998656836479257804.864
4253529586328229993284182396289102.432	1701411834531291997313672958515609.728
850705917265645998656836479257804.864	3402823669062583994627345917031219.456
1701411834531291997313672958515609.728	6805647338125167989254691834062438.912
3402823669062583994627345917031219.456	1361129467625033597850938366812477.824
6805647338125167989254691834062438.912	2722258935250067195701876733624955.648
1361129467625033597850938366812477.824	5444517870500134391403753467249911.296
2722258935250067195701876733624955.648	10889035741000268782807506934499822.592
5444517870500134391403753467249911.296	21778071482000537565615013868999645.184
10889035741000268782807506934499822.592	43556142964001075131230027737999290.368
21778071482000537565615013868999645.184	87112285928002150262460055475998580.736
43556142964001075131230027737999290.368	174224571856004305244920110951997161.472
87112285928002150262460055475998580.736	348449143712008610448960221903994322.944
174224571856004305244920110951997161.472	69689828742401722089792044380798865.888
348449143712008610448960221903994322.944	139379657484803444179584088761597731.776
69689828742401722089792044380798865.888	278759314969606888359168177523195463.552
139379657484803444179584088761597731.776	55751862993921377671833635504639092.104
278759314969606888359168177523195463.552	111503725987842755343667270009278184.208
55751862993921377671833635504639092.104	223007451975685510687334540018556368.416
111503725987842755343667270009278184.208	446014903951371021374669080037112736.832
223007451975685510687334540018556368.416	892029807902742042749338160074225473.664
446014903951371021374669080037112736.832	178405961580548408549867630014845095.328
892029807902742042749338160074225473.664	356811923161096817099735260029690190.656
178405961580548408549867630014845095.328	713623846322193634199470520059380381.312
356811923161096817099735260029690190.656	14272476926443872683989410400118760626.624
713623846322193634199470520059380381.312	28544953852887745367978820800375321353.248
14272476926443872683989410400118760626.624	57089907705775490735957641600750642706.496
28544953852887745367978820800375321353.248	11417981541155098147191528320015112452.992
57089907705775490735957641600750642706.496	22835963082310196294383056640030224905.984
11417981541155098147191528320015112452.992	45671926164620392588766113280060449811.968
22835963082310196294383056640030224905.984	91343852329240785177532226560012089963.936
45671926164620392588766113280060449811.968	182687704658481570355064453120024179927.872
91343852329240785177532226560012089963.936	36537540931696314071012890624004835985.744
182687704658481570355064453120024179927.872	73075081863392628142025781248009671971.488
36537540931696314071012890624004835985.744	146150163726785256284051564496019343942.976
73075081863392628142025781248009671971.488	29230032745357051256810312899203868788.952
146150163726785256284051564496019343942.976	58460065490714102513620625798407737577.904
29230032745357051256810312899203868788.952	116920130981428205027241251996815475155.808
58460065490714102513620625798407737577.904	233840261962856410054482503993630950311.616
116920130981428205027241251996815475155.808	46768052392571282010896500798726180063.232
233840261962856410054482503993630950311.616	93536104785142564021793001597544360126.464
46768052392571282010896500798726180063.232	18707220957028512804358600319508720252.928
93536104785142564021793001597544360126.464	37414441914057025608717200639017440505.856
18707220957028512804358600319508720252.928	74828883828114051217434401278034881011.712
37414441914057025608717200639017440505.856	149657767656228024354868802556069760223.424
74828883828114051217434401278034881011.712	299315535312456048709737605112139520446.848
149657767656228024354868802556069760223.424	598631070624912097419475200224279040893.696
299315535312456048709737605112139520446.848	119726214124982419483895040044855808177.392
598631070624912097419475200224279040893.696	23945242824996483896779008008971161535.784
119726214124982419483895040044855808177.392	47890485649992967793558016017942323071.568
23945242824996483896779008008971161535.784	95780971299985935587116032035884646143.136
47890485649992967793558016017942323071.568	191561942599971871174232064071769292286.272
95780971299985935587116032035884646143.136	383123885199943742348464128143538584456.544
191561942599971871174232064071769292286.272	76624777039988748469692825628707116891.088
383123885199943742348464128143538584456.544	153249554079977496939385651257414233781.776
76624777039988748469692825628707116891.088	306499108159954993878771302514848467563.552
15	

MM	IN.
.25	.010
.70	.030
1.15	.060
2.03	.080
2.28	.090
3.04	.120
3.55	.140
4.82	.190
9.14	.360
9.39	.370
15.74	.620
46.48	1.820
46.99	1.850

APPLICABLE SAE STANDARD OR RECOMMENDED PRACTICE SAE J259

956-5124

COLE-HERSEE CO.
N.P.M.



METRIC

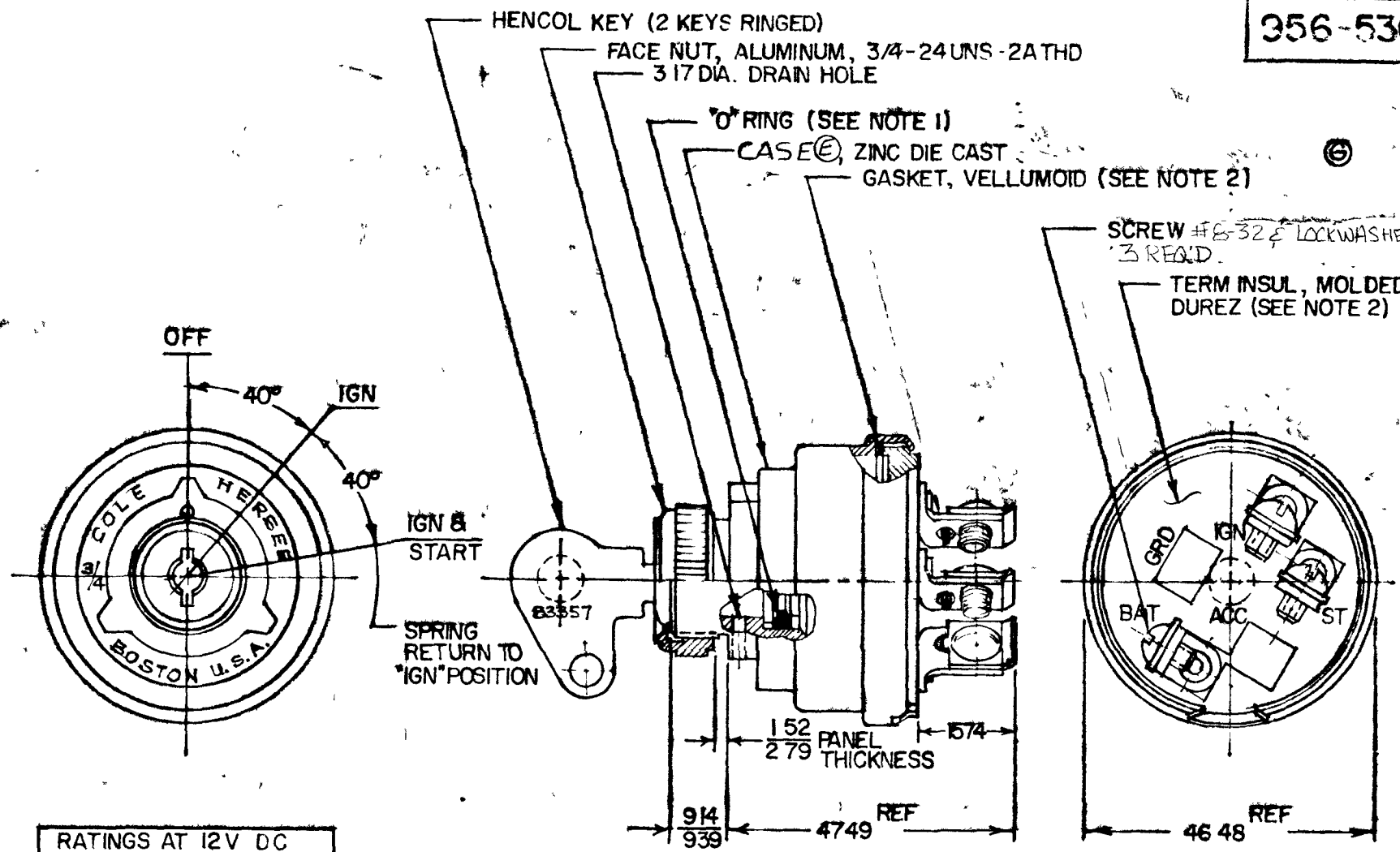
NOTE:
1. O RING SEALED.

2. ALL STEEL PARTS PLATED DO NOT SCALE

LET	WAS	DATE	BY	LET	WAS	DATE	BY	MATERIAL	DRAWN	CHECKED	APPR'D	SCALE	BASIC 956-5115 EXCEPT O RING SEALED	DATE DRAWN
				D	ECN#00138	3/11/75	KF	---	KG	11-5-75		FULL		11-4-75
				C	HOLE ADDED / 050239	12/23/80	LH	FINISH						
				B	ECN 25189	8-19-92	JH	---						
				A	HOUSING	8-17-82	PS	TOLERANCES						
					ISSUED	3-3-77	PS	FRACTIONAL ±						
								DECIMAL ±.25						
COLE-HERSEE COMPANY BOSTON, MASS. 02127, U.S.A.													DATE BLUEPRINT	
IGN. START SWITCH													956-5124	

MM	IN
1.52	.010
2.79	.110
3.14	.360
3.39	.370
5.74	.620
6.48	.830
7.49	1.070
8.17	1.25

356-5307



RATINGS AT 12V DC	
IGN CIRCUIT	10 AMPS
START	5

- NOTE
1. SHAFT O-RING SEALED TO CASE
 2. TERM INSUL GASKET SEALED
 3. ALL STEEL PARTS PLATED 11T W/DIC-IRON, FL DIP OR CAL 17
 4. APPLICABLE SAE STANDARD OR RECOMMENDED PRACTICE SAE J259

METRIC

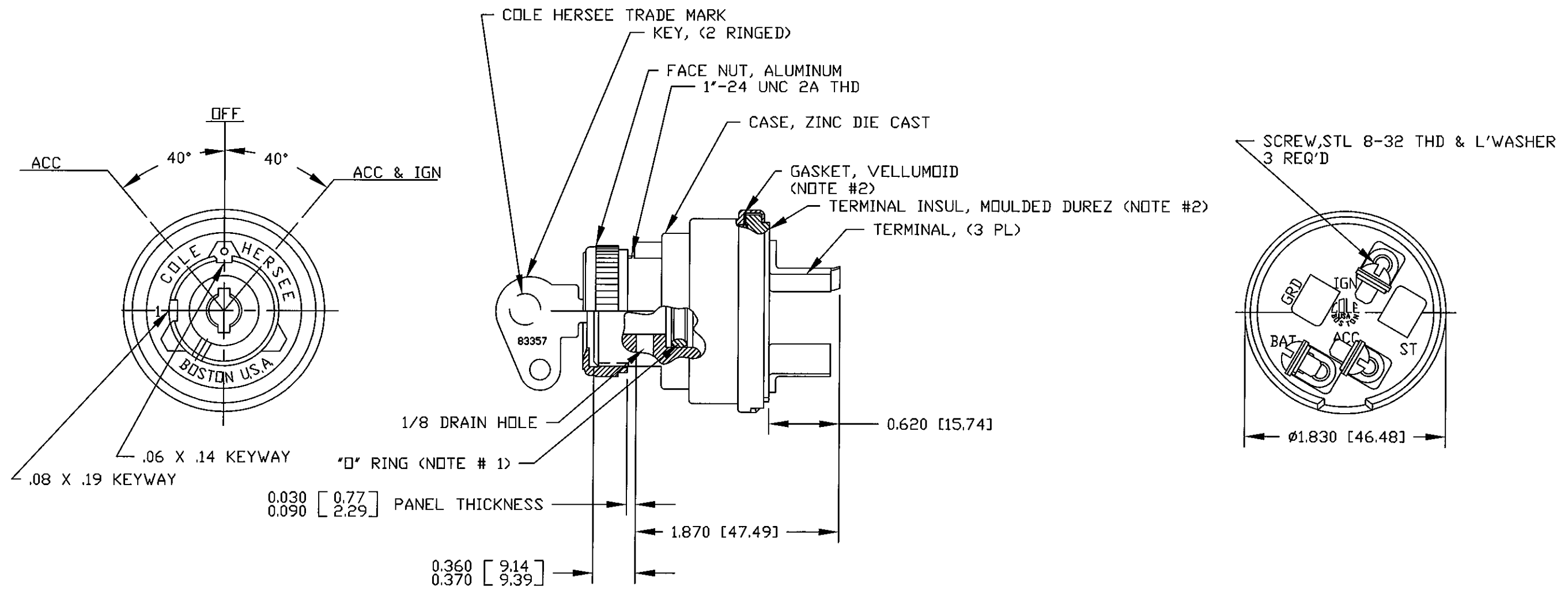
DO NOT SCALE

LET	WAS	DATE	BY	LET	WAS	DATE	BY	MATERIAL	DRAWN	CHECKED	APPRV D	SCALE	DATE DRAWN
								—	CF	11-20-78		1:1	1-10-66
				G	LEN # 60139	3/1/00	KF	FINISH	 WOLD COLONY AVENUE SOUTH BOSTON MA U.S.A. 02127				DATE BLUEPRINT
				F	CADU Y 125239	12/18/92	1,4	—					
				E	HOUSING	8-17-82	1,3	TOLERANCES	3 POS IGNITION & START SW 956-5307				956-5307
				D	REDRAWN	11-8-78	R	FRACTIONAL ± DECIMAL ±.25					

CH-188 (4-78)

Revision Control Record

Rev.	Description of Change	ECN No.	Date
J	PUT ON CAD	08552	10/09/08



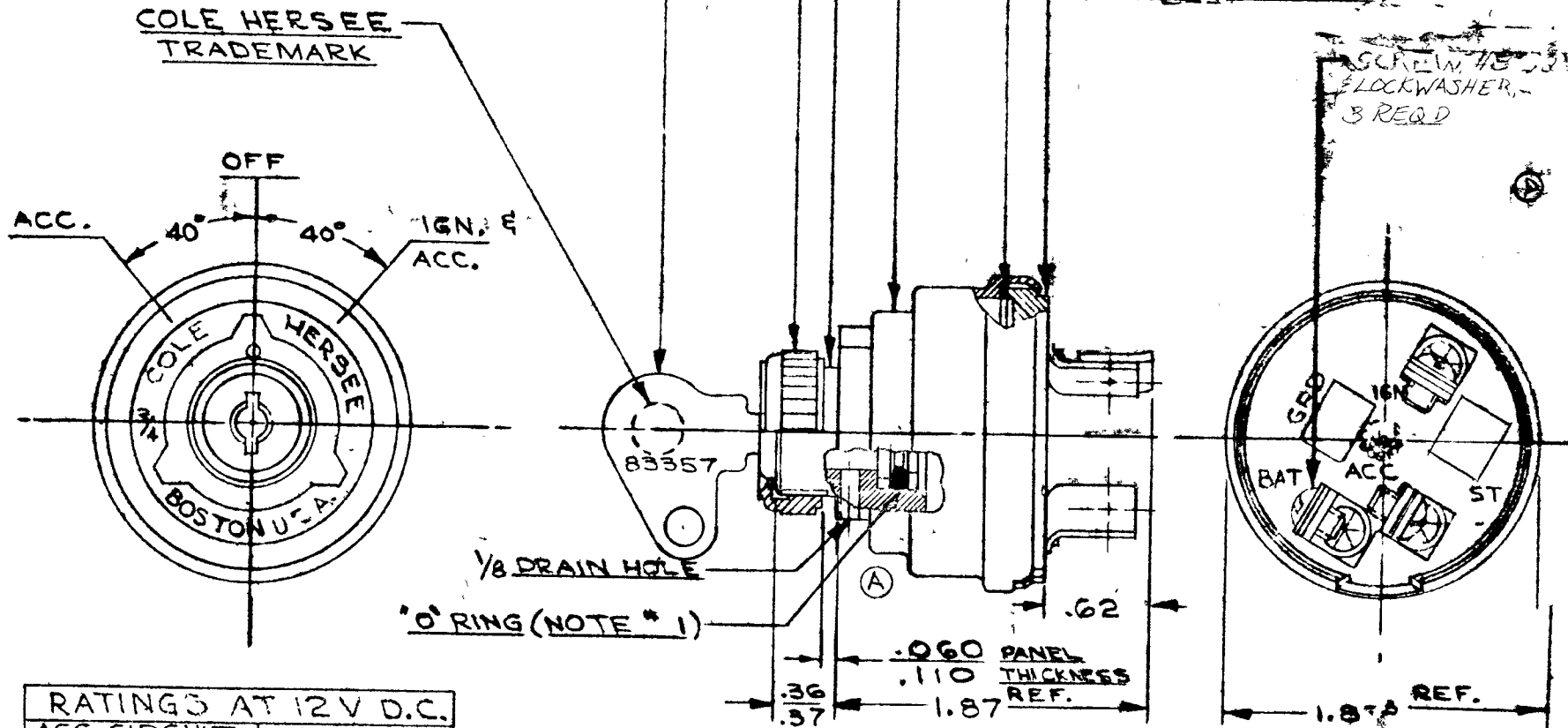
- NOTE:**
1. SHAFT "O" RING SEALED TO CASE
 2. TERMINAL INSULATOR GASKET SEALED
 3. ALL STEEL PARTS PLATED
 4. ALL DIMENSION REFERENCE
 5. APPLICABLE SAE STANDARD OR RECOMMENDED PRACTICE SAE J259

RATINGS @ 12V DC	
ACC. CIRCUIT	10 AMPS
IGN.	10 AMPS

<p>Tolerances Unless otherwise specifically noted, the following are default tolerances;</p> <ul style="list-style-type: none"> • 2-place Decimal Dimensions +/- .02" • 3-place Decimal Dimensions +/- .005" • Angular Dimensions +/- 1.0 Deg. • Metric: Refer to equivalent English Dimension Tolerance <p>>>> NOTE: All tolerances are Non-Cumulative. <<<</p>		<p>PROPRIETARY INFORMATION This Engineering Drawing, and the information contained herein, is proprietary to Cole Hersee Company and may not be disclosed, re-produced, or in any other way transferred or communicated to any other party without the express written consent of an authorized representative of Cole Hersee Company.</p>		<p>Special Characteristics:</p> <ul style="list-style-type: none"> CC Critical Characteristic, relating to Safety and/or Regulatory Compliance X Significant Characteristic relating to Process Control (SPC) KC Control Dimension relating to Form - Fit - Function as defined by Cole Hersee Company and/or the Customer <p>(Note that the identification of any Characteristics as being "Special" does not alter the requirement that ALL specified dimensions & tolerances must be met.)</p>		<p>Cole Hersee Co. 20 Old Colony Ave., South Boston, MA, 02127 Phn: 617-268-2100 Web: www.colehersee.com</p>	
<p>Dimensional Units All dimensions are expressed in inches except those shown in brackets (xxx) are expressed in millimeters</p> <p>"REF." or an Asterisk (*) = Non-Toleranced Reference Dimension, shown for clarification purposes only.</p>		<p>DESIGN CONTROL It is the responsibility of the individual using / referencing this drawing to assure that the noted design revision level agrees with the revision level of the Controlled Document (Master Drawing). This is a NON-CONTROLLED DOCUMENT unless otherwise specifically noted.</p>		<p>DO NOT SCALE - Dimensional variation may occur during printing / reproduction.</p>		<p>Description: ACC-IGNITION SW</p>	
Used On or Ref.:	Scale: 1:1	Drawn By: CF	Date Drawn: 10/06/66	Responsible Engineer:	Pg. 1 of 1	<p>Drawing / Part No.: 956-6107</p>	J

COLE-HERSEE CO.

APPLICABLE SAE STANDARD OR RECOMMENDED PRACTICE SAE J259



956-6307

RATINGS AT 12 V D.C.	
ACC. CIRCUIT	10 AMPS
IGN.	10

- NOTE:
1. SHAFT "O" RING SEALED TO CASE
 2. TERMINAL INSULATOR GASKET SEALED
- 3 ALL STEEL PARTS PLATED

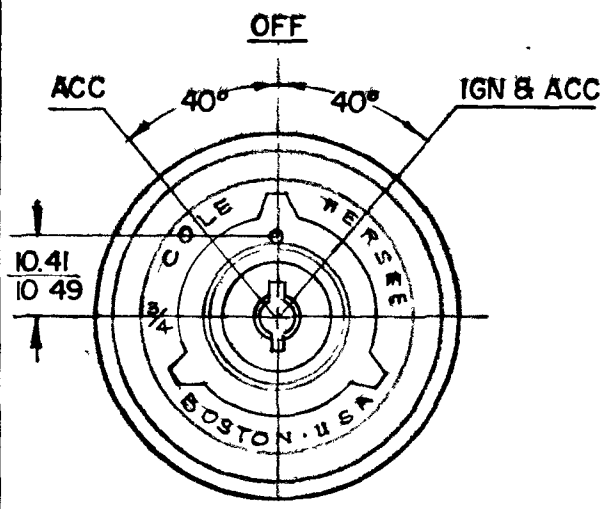
REV	WAS	DATE	BY	REV	WAS	DATE	BY	MATERIAL	DRAWN	CHECKED	APPROV'D	SCALE	USED ON	DATE DRAWD
				F	FCM COPY	3/2/88	MA		CF	UM		FULL		1-31-67
				C	NOTE 3 ADDED	12/18/92	JH							
				B	HOUSING	8-17-82	RS							
				A	STL SPEC ADDED	3-4-74	W							
					ISSUED	3-9-67	HF							
COLE-HERSEE COMPANY BOSTON 27, MASS., U.S.A.														DATE DRAWD
ACC-IGNITION SWITCH														PART NO
														956-6307

COLE-HERSEE CO.
 NPM 6-6-79
 EX-18452

MM	IN
.25	.010
1.52	.060
2.79	.110
9.14	.360
9.39	.370
15.74	.620
46.48	1.830
47.49	1.870
3.17	.125
1.01	.040
1.65	.065
10.41	.410
16.49	.413

SEQ	DEPT.	OPERATING INSTRUCTIONS	DIE	MACH

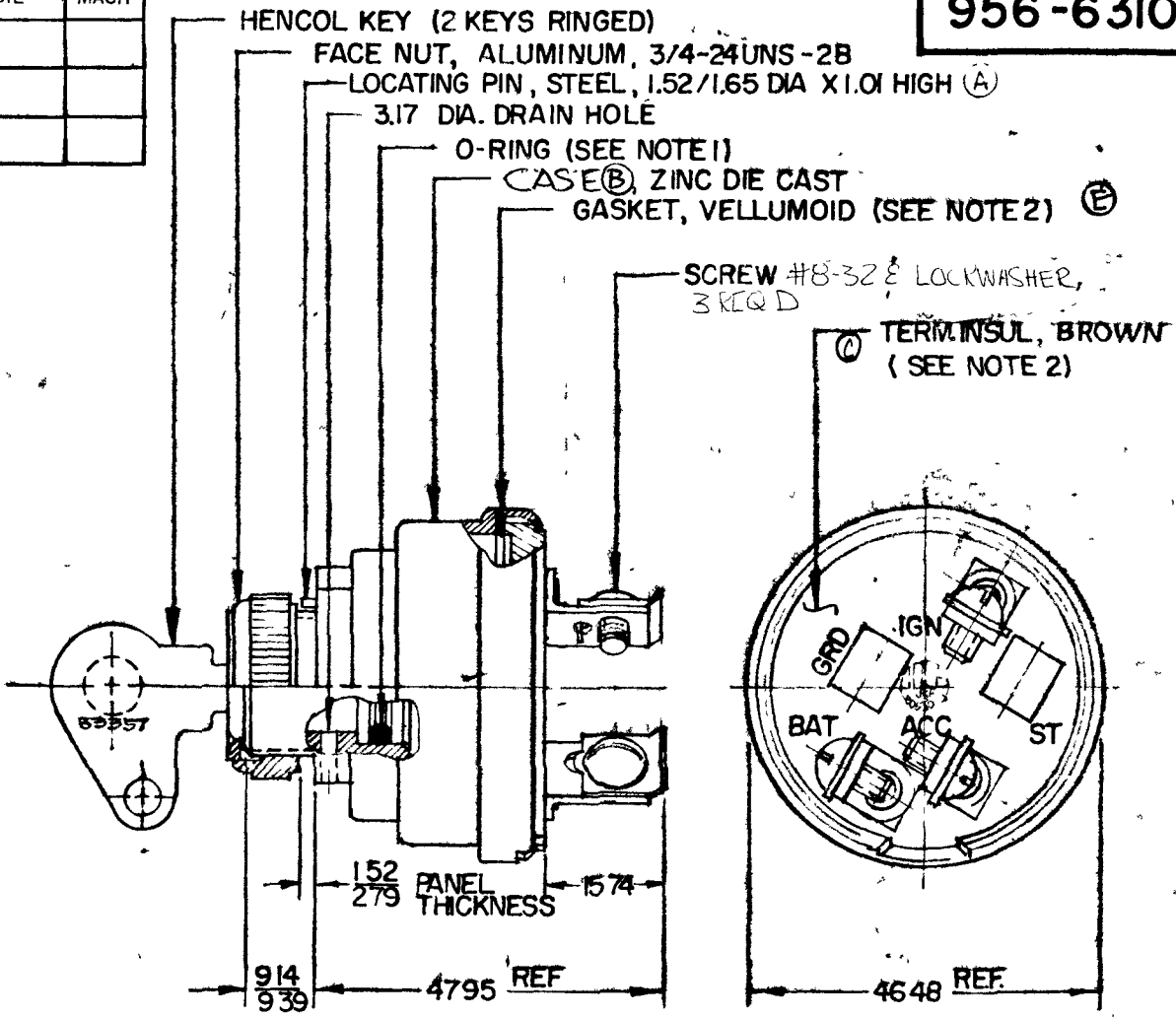
956-6310



RATINGS AT 12V DC	
ACC. CIRCUIT	30 AMPS
IGN.	10

APPLICABLE SAE STANDARDS OR RECOMMENDED PRACTICE SAE J259

METRIC

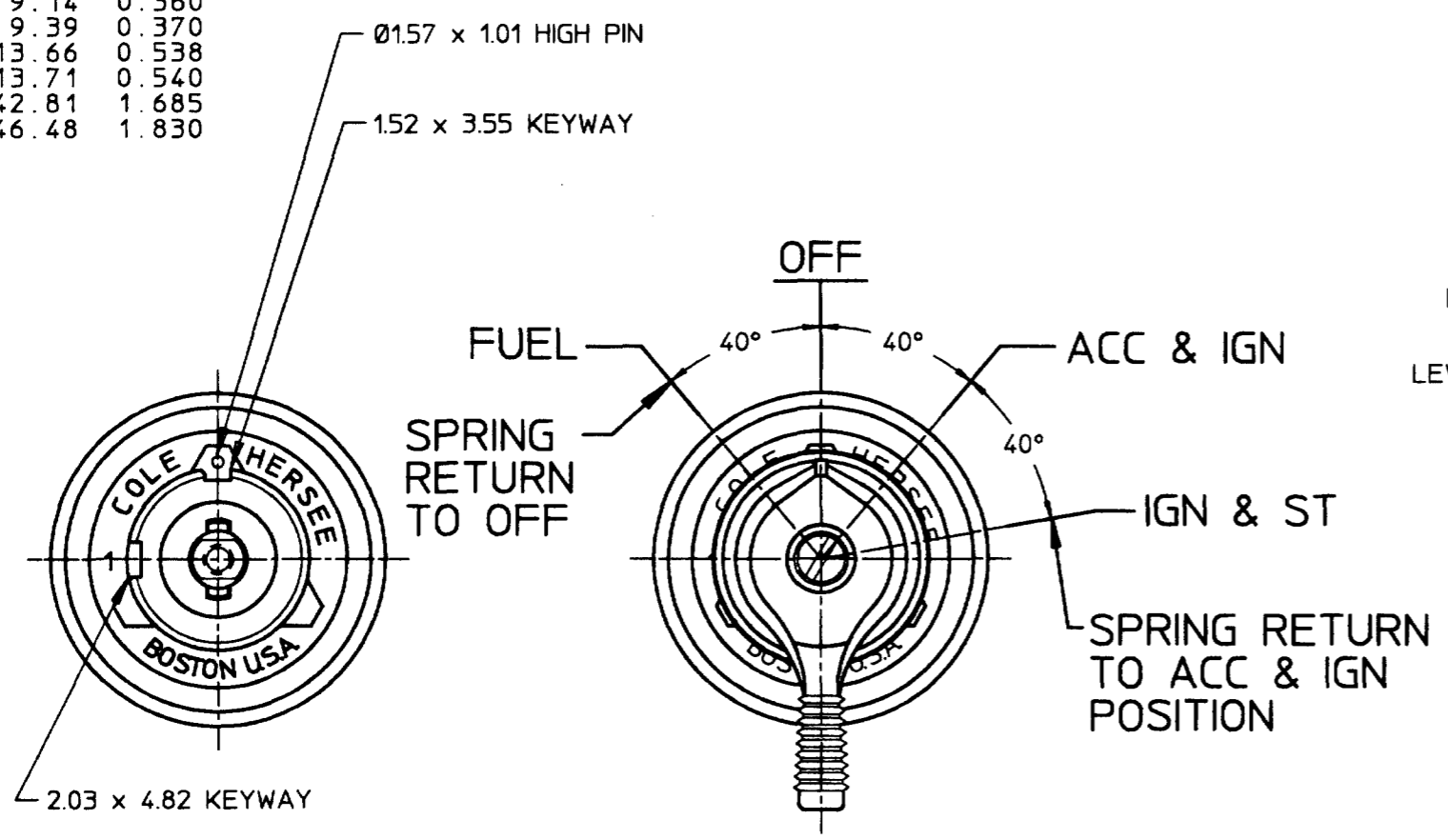


- NOTE:**
1. SHAFT O-RING SEALED TO CASE
 2. TERM INSUL GASKET SEALED
 3. COPPER RIVETS ON MOVABLE CONTACT
 4. ALL STEEL PARTS PLATED

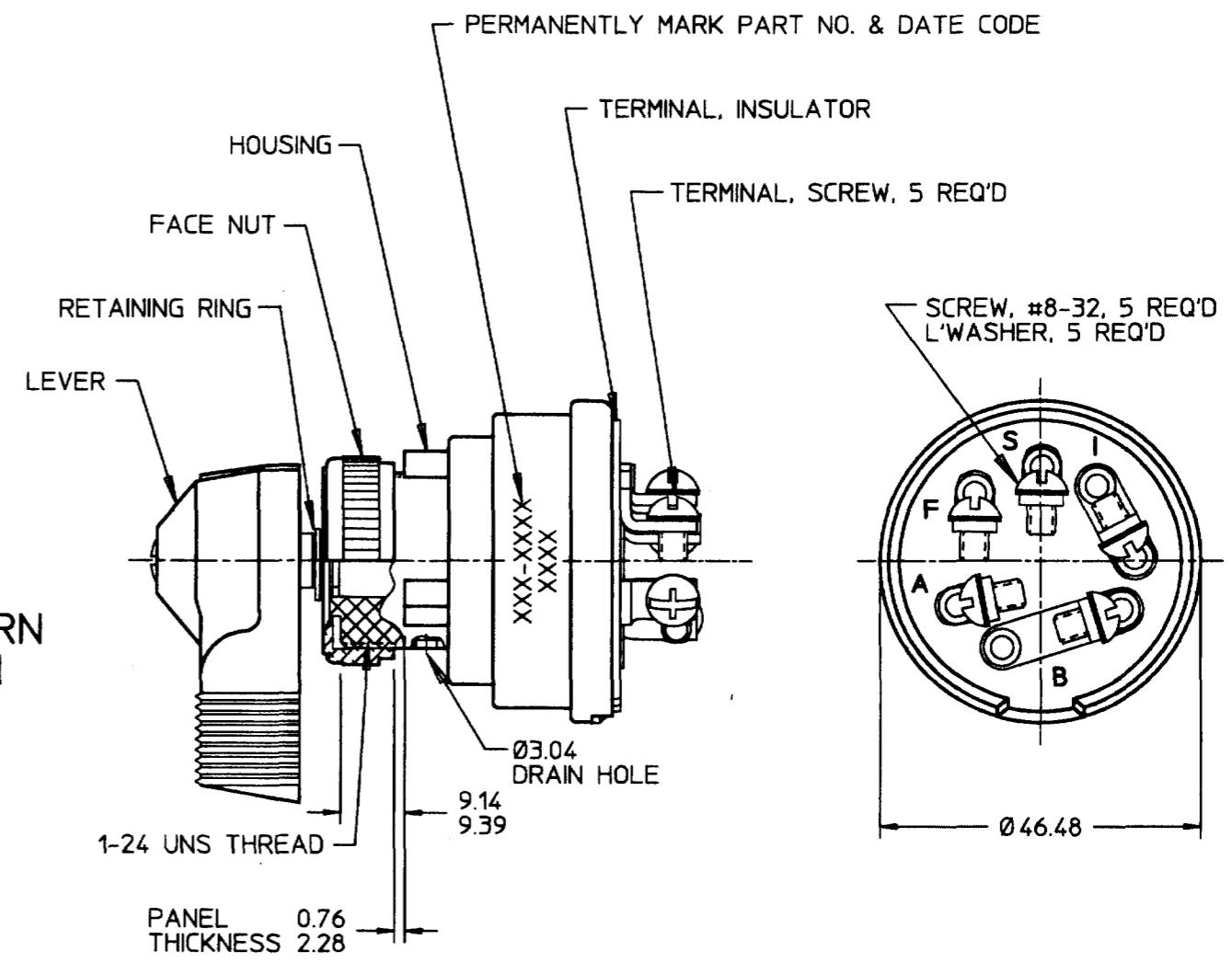
LET	WAS	DATE	BY	LET	WAS	DATE	BY	MATERIAL	DRAWN	CHECKED	APPRV'D	SCALE	956-6310 W/ PIN, FIBER TE INSUL & COPPER RIVETS ON CONTACT	DO NOT SCALE
				D	ZINC 126234	12/18/92	TJH	—	RMT	5-23-79		1:1		DATE DRAWN 3-12-79
				C	ECN 25189	8-14-92	TJH	FINISH	COLE-HERSEE COMPANY BOSTON, MASS 02127, U.S.A.					DATE BLUEPRINT
				B	HOUSING	8/1/82	VB	—						
				A	REV 20702	9-12-79	JV	TOLERANCES FRACTIONAL ± DECIMAL ±.25	ACC - IGNITION SWITCH					956-6310
E	ECN #00139	3/1/00	MF	ISSUED	6-1-19	Y								

SPAULDING CO., INC

MM	IN
0.76	0.030
1.01	0.040
1.52	0.059
1.57	0.061
2.03	0.080
2.28	0.090
3.04	0.120
3.55	0.140
4.82	0.190
9.14	0.360
9.39	0.370
13.66	0.538
13.71	0.540
42.81	1.685
46.48	1.830



FRONT VIEW SHOWN W/O LEVER AND FACE NUT



- NOTES:
1. ALL STEEL PARTS PLATED
 2. ALL DIMENSIONS ARE REFERENCE ONLY UNLESS OTHERWISE SPECIFIED
 3. SHAFT O-RING SEALED TO CASE
 4. TERMINAL INSULATOR GASKET SEALED
 5. APPLICABLE SAE STANDARD OR RECOMMENDED PRACTICE SAE J259

DO NOT SCALE

RATING AT 12 VDC		LEGEND	
ACCESSORY	10 AMP	BATTERY	B
IGNITION	10 AMP	ACCESSORY	A
START	5 AMP	IGNITION	I
FUEL	10 AMP	START	S
		FUEL	F

METRIC

LET.	WAS	DATE	BY	LET.	WAS	DATE	BY	MATERIAL	DRAWN	CHK	APVD	SCALE	DATE DRAWN
								N/A	JMP	4	N/A	1:1	11/24/97
								FINISH	Cole Hersee Co. 20 OLD COLONY AVENUE, BOSTON, MA., U.S.A., 02127				DATE BLUEPRINTED
								N/A					SW, IGN & START, 4 POS
				A	ECN 00521	06/28/00	DPS	TOLERANCES DECIMAL ± N/A ANGLE ± N/A					