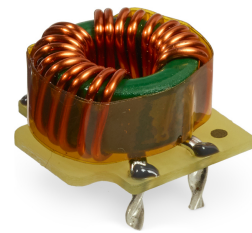
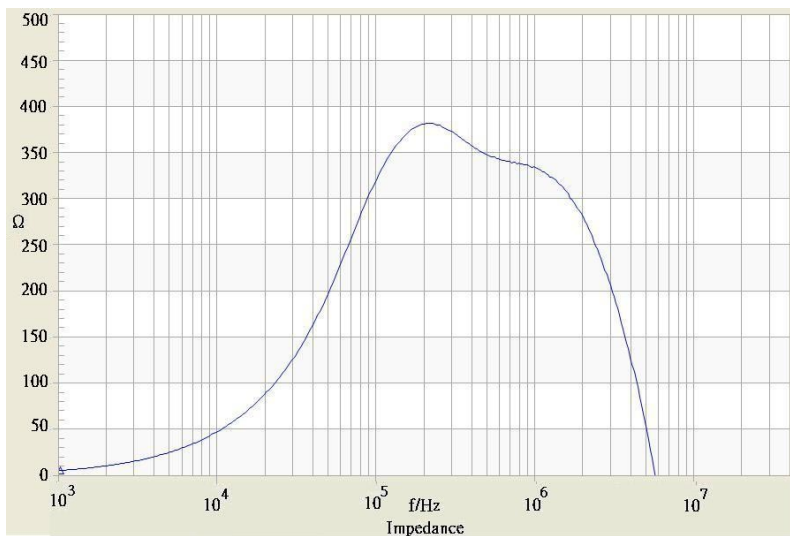


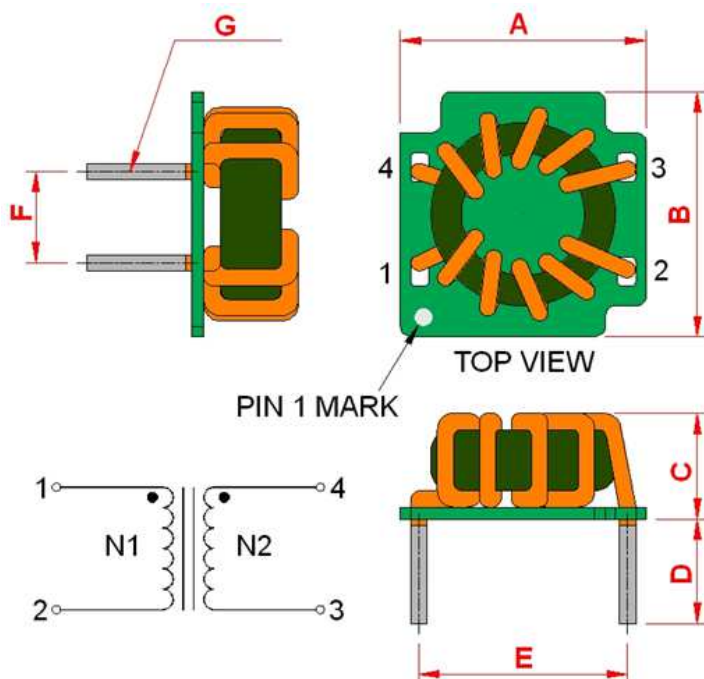
<b>Order Code</b>	<b>TCK-088</b>
<b>Inductance</b> (each winding)	521 $\mu\text{H} \pm 35\%$ (at 100 kHz / 100 mV)
<b>Impedance</b> (DCR)	14 m $\Omega$ max.
<b>Rated Current</b>	7.7 A max.
<b>Rated Voltage</b>	500 VDC max. (between windings)
<b>Operating Temperature</b>	-40°C to +105°C



### Impedance Curve



### Outline Dimensions



#### Dimensions [mm]

<b>A</b>	16.6 ±0.4
<b>B</b>	16.4 ±0.4
<b>C</b>	12.5 max.
<b>D</b>	5.0 ±1.0
<b>E</b>	14.5 ±0.5
<b>F</b>	6.1 ±0.5
<b>G</b>	∅ 0.8 max.