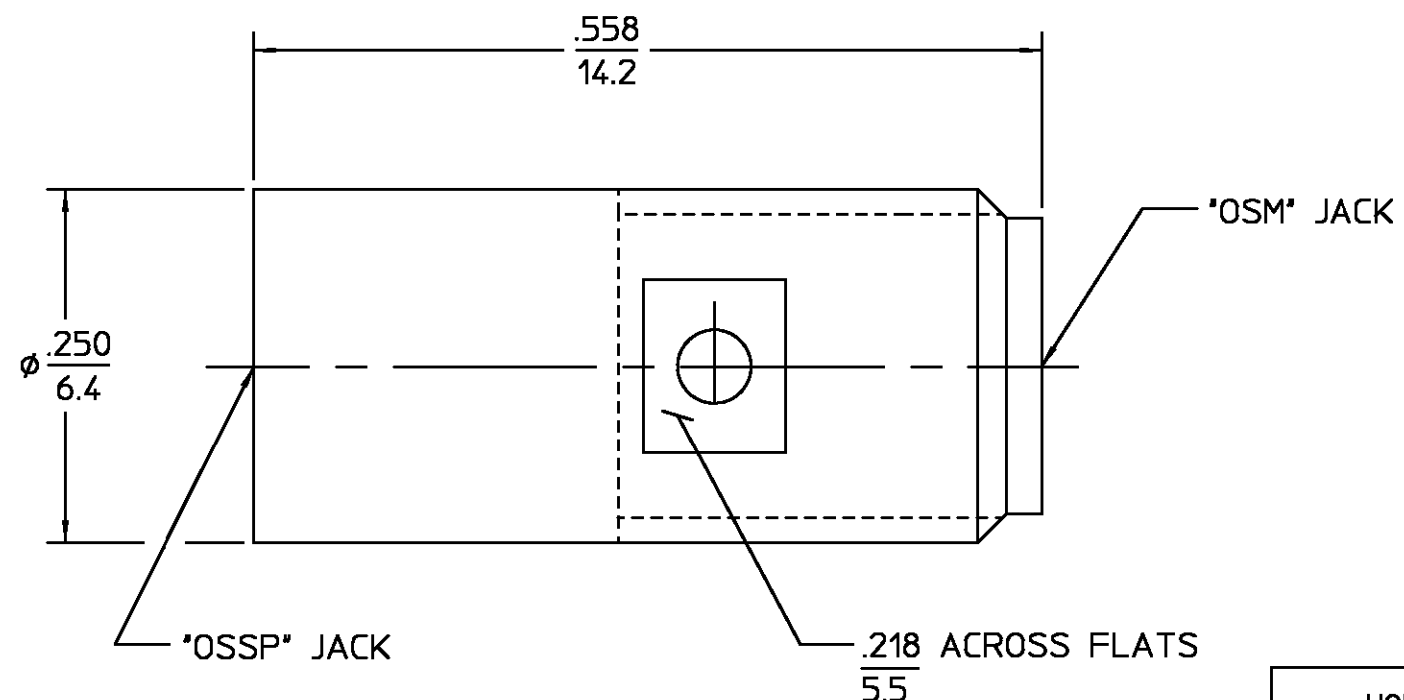


REVISIONS			
REV	DESCRIPTION	DATE	APPROVED
01 ₁	REVISED	8/26/87	<i>[Signature]</i>



ELECTRICAL	MECHANICAL	ENVIRONMENTAL
Nominal Impedance (Ohms) <u>50</u>	Interface Dimensions Per <u>OSM - MIL-STD-348A FIG. 310-2</u>	Temperature Rating <u>-65°C to +125°C</u>
Frequency Range (GHz) DC to <u>18.0</u>	<u>OSSP - M/A-COM CATALOG</u>	Vibration MIL-STD-202, Method 204, Condition D
Volt Rating (VRMS MAX) @ Sea Level <u>250</u>	Mating Characteristics:	Shock MIL-STD-202, Method 213, Condition I
VSWR <u>1.05±.010(fGHz)</u>	Insertion <u>3.0</u>	Thermal Shock MIL-STD-202, Method 107, Condition B, Except High Temp 85°C
Insertion Loss (dB MAX) <u>.06 √f(GHz)</u>	Withdrawal <u>1.0</u>	Moisture Resistance MIL-STD-202, Method 106 Shall Be Omitted
RF Leakage (dB MIN) <u>-(60-f(GHz))</u>	Force to Engage/Disengage <u>2.0</u>	Corrosion - MIL-STD-202, Method 101, Condition B, 5% salt spray
Corona, 70,000 Ft (VRMS MIN) <u>190</u>	Contact Retention	
Dielectric Withstanding Voltage (VRMS MIN) @ Sea Level <u>750</u>	Axial (Lbs) <u>6.0</u>	
Contact Resistance (Milliohms MAX)	Radial (In-Oz) <u>4.0</u>	
Center Contact <u>2.0</u>	Weight (Grams) <u>TBD</u>	
Outer Contact <u>2.0</u>		
RF High Potential @ Sea Level (VRMS MIN @ 5 MHz) <u>500</u>		
I.R.(Megohms MIN) <u>5,000</u>		

HOUSING	STAINLESS STEEL PER ASTM-A484 AND ASTM- A582, TYPE 303	PASSIVATE PER QQ-P-35
DIELECTRIC	PTFE FLUOROCARBON PER ASTM-D-1457	N/A
CENTER CONTACT	BERYLLIUM COPPER PER ASTM-B-196 OR ASTM-B-197, ALLOY C17300, CONDITION H	GOLD PLATE PER MIL-G-45204
CONTACT SLEEVE	BERYLLIUM COPPER PER ASTM-B-196, ALLOY C17300, CONDITION H	GOLD PLATE PER MIL-G-45204
CONTACT RING	BERYLLIUM COPPER PER ASTM-B-194, ALLOY C17200, CONDITION H	GOLD PLATE PER MIL-G-45204
COMPONENT	MATERIAL	FINISH

UNLESS OTHERWISE SPECIFIED DIMENSIONS ARE IN INCHES		DRAWN BY FN	DATE 6/18/84	 AMP Incorporated 140 Fourth Avenue Waltham, MA 02451-7599
FRAC. ± 1/64	DEC. ±.005	CHECKED BY SWA	DATE 12/16/84	
		APPD BY PCV	DATE 12/7/84	
These drawings and specifications are the property of M/A COM Interconnect Div. and shall not be reproduced or copied or used in whole or in part as the basis for the manufacture or sale of item(s) without written permission.		USE ASSY PROCEDURE	TITLE "OSSP" JACK TO "OSM" JACK ADAPTER	
NO. A.P. <u>N/A</u>		SIZE B	CODE IDENT NO. 26805	4780-2240-02
		SCALE 8:1	REV 01 ₁	
				SHEET 1 OF 1

CUSTOMER DRAWING

AMP PART # 1059928-1
SHEET 1 OF 1 REV A