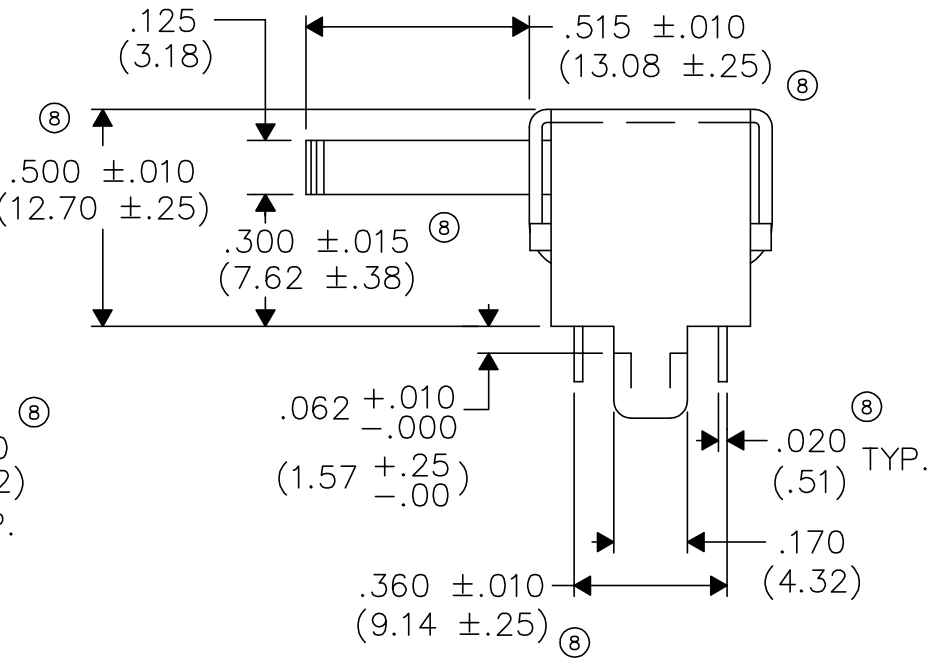
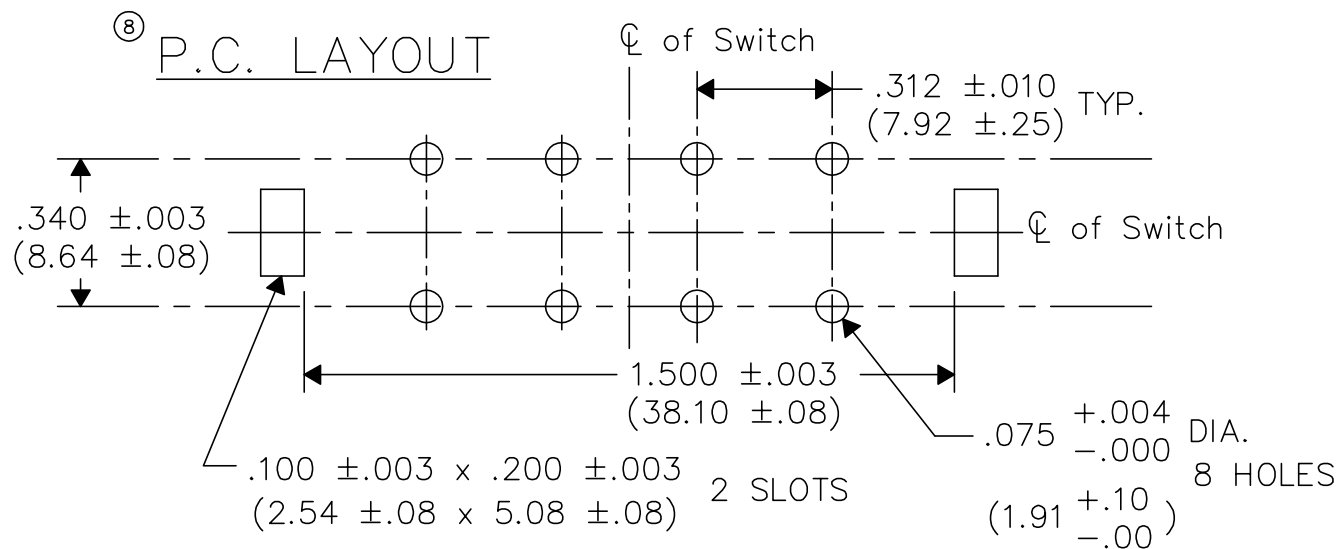
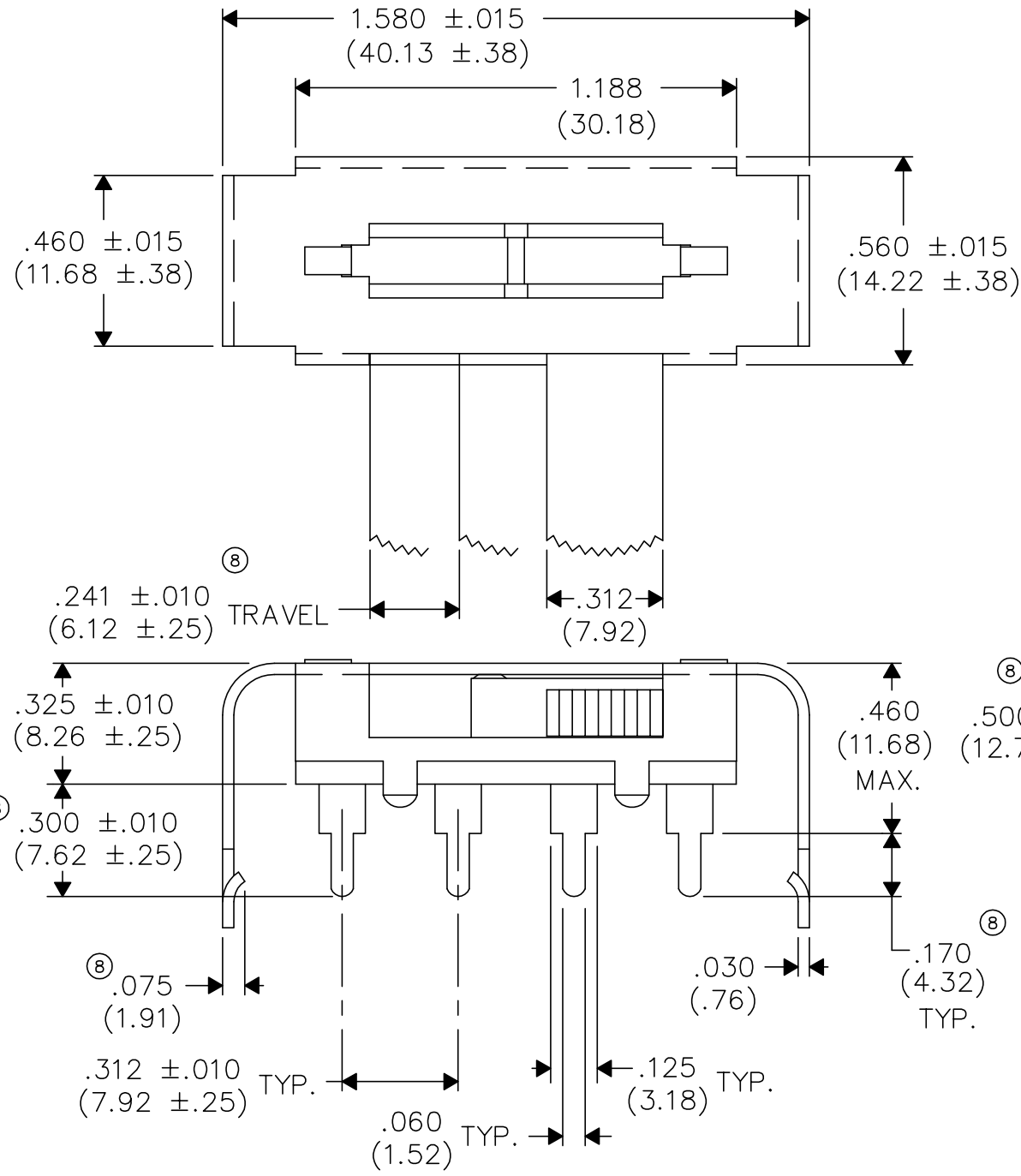


DIMENSIONS IN INCHES (MILLIMETERS)
DO NOT SCALE DRAWING

Dwg. No.
G-386-0001



1 2 3 4 5 6 7 8 9 10

B-FORMAT 2002	REVISIONS	8	REDRAWN. ADDED PC LAYOUT, .020 & .170. .515±.010 WAS .578±.010, .300±.015 WAS .290±.015, .360±.010 WAS .385±.010, .500±.010 WAS .500, .241±.010 TRAVEL WAS .478±.010 TRAVEL & .075 WAS .070±.010
			ADDED .300±.010. DGW 3-17-2004 Mar. 24, 2004

PDF File Made		Made for: CW IND.	Division: SWITCH
		Drawn by: DGW 3-17-2004	Dwg. No. G-386-0001
		Checked by: GG 3-23-04	
		Approval: BF 3-23-4	

CW INDUSTRIES
 Southampton, Pa. 18966

TOLERANCES UNLESS OTHERWISE SPECIFIED

2 Place Decimal ±.010	METRIC
3 Place Decimal ±.005	1 Place Dec. ±.25mm
Angles ±1°	2 Place Dec. ±.13mm

Title: SLIDE SWITCH
 RIGHT ANGLE
 D.P. 3 POS.
 W/SNAP-IN HOUSING